

Figure D-19: Motorcycle End of Parking Row Configuration

- [See EV Charging Station Electrical details in Section F- Technical Requirements.](#)

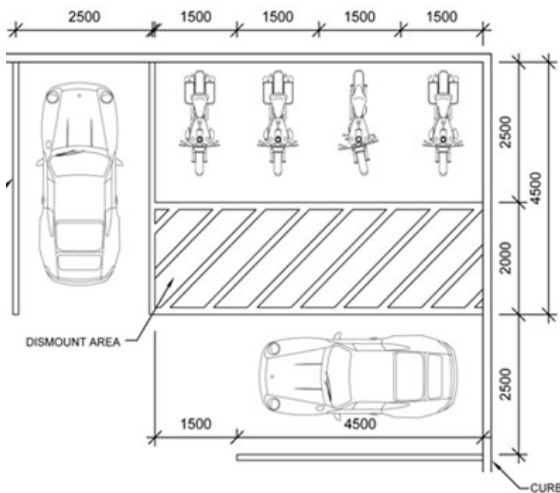


Figure D-20: Motorcycle Corner/Dead Space Configuration

Carpool to GO Parking

- 1% of total parking spaces in proximity to barrier free parking
- Carpool to GO Signage includes: Carpool to GO Introduction and Information Billboard sign, Banner signs, parking stall marker signs
- Signage shall be provided at each carpool parking space location (Refer to Figure Carpool to GO Installation Details)

EV Charging Station

- EV charging stations shall be placed indoors if a parking structure exists
- EV Charging Stations Spaces