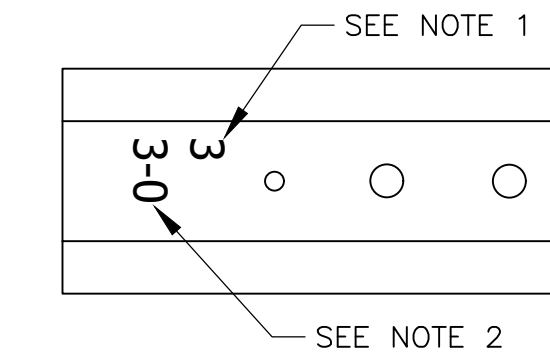


ROD	POSITION FROM POINT OF SWITCH
1	432 [1'-5"]
2	1372 [4'-6"]



- TIE NUMBER
- DISTANCE FROM POINT OF SWITCH (FT-IN)

TIE MARKINGS

SEE NOTE 1 →

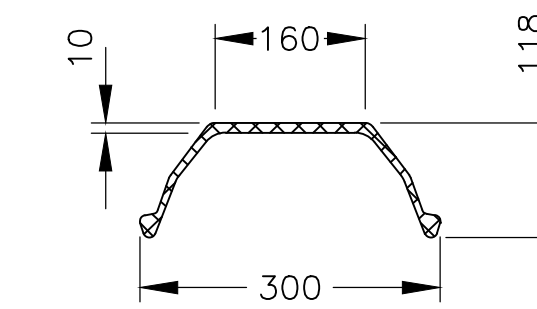
SEE NOTE 2 →

SEE NOTE 3 →

NARSTCO
B2554 1 OF 1
PS-115lb
APRIL 2023 TM

- BATCH NO. FOR QUALITY ASSURANCE IDENTIFICATION AND SEQUENTIAL NUMBER IN BATCH.
- TURNOUT NUMBER AND RAIL WEIGHT.
- MONTH PRODUCED, YEAR PRODUCED, AND ENGINEER'S INITIALS.

TIE BUNDLE LABEL FORMAT



SECTION PROPERTIES

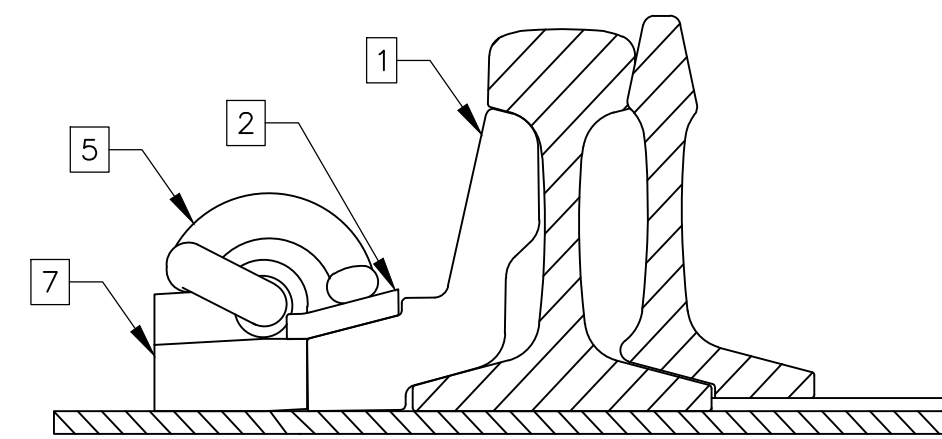
WEIGHT OF BAR : 30.8 kg/m

YIELD STRENGTH : 345 MPa (MIN.)

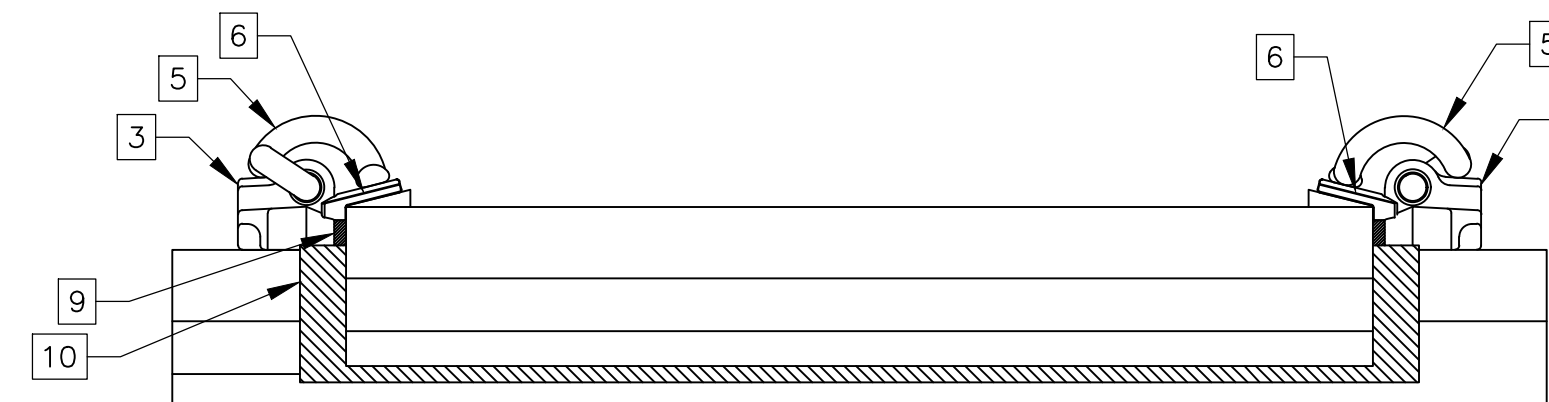
SECTION MODULI : Z TOP = 153³ x 10³ mm

: Z BOT = 79.7³ x 10³ mm

H10 SECTION



SECTION A
TYPICAL RAIL BRACE ASSEMBLY



SECTION B
TYPICAL UPPERDECK ASSEMBLY

BILL OF MATERIAL

ITEM NO.	TURNOUT COMPONENTS	PART NO.	QTY.
1	ADJUSTABLE RAIL BRACE	8014	4
2	RAIL BRACE SERRATED WASHER	8015	4
3 #	RAIL BRACE HOOK-IN SHOULDER	8016	8
4	L/H 'e' CLIP	Ne2	5
5	'e' CLIP ('e' TYPE CLIP)	'e' CLIP	22
6	INSULATOR	HD-10	8
7 *	RAIL BRACE WELD-ON SHOULDER	BWOS	4
8 *	WELD-ON SHOULDER	WOS	10
9 #	32.5 INSULATOR PAD	IN-0011	4
10 #	INSULATING PAD ⅝" THICK	IN-0011	4

* WELDED TO TIE DURING MANUFACTURING

INSTALLED ON TIE DURING MANUFACTURING

NOTES:

- BUNDLE LABELS AFFIXED TO TOP TIE IN EVERY BUNDLE ONLY.
- UNIFORM RISER PLATE THICKNESS:
- 6.35mm [¼"] FOR TIES 2 TO 4.
- TIES WILL BE PUNCHED FOR 22.2mm [7/8"] DIA. INSPECTION HOLES. LOCATION VARIES WITH RAIL POSITION.
- IF ZERO SWITCH POINTS ARE USED, A NOMINAL 9.53mm [3/8"] WIDE GAUGE WILL OCCUR AT THE POINT OF SWITCH AND WILL TAPER BACK STANDARD GAUGE THROUGH THE SWITCH AREA BEFORE THE HEEL.
- HEADBLOCK TIES ARE FIELD-DRILLED TO ACCEPT POWER OR MANUAL SWITCH STANDS.
- SEE GTS-2700 TO GTS-2721 FOR STEEL TIE TURNOUT DETAILS.

METRIC CONVERSION: 1 inch=25.4mm, 1 foot=304.8mm

0	23/10/31	INITIAL VERSION ESTABLISHED
No.	Date	Revision

Standard/ INSULATED SWITCH STAND
SIDE ASSEMBLY FOR 115lb

Drawn NA Checked SJ Approved [Signature] VP Engineering & Asset Management - Track



Date OCTOBER 31/2023 Plan Number GTS-0700 Rev 0

REFERENCE: Sheet 1 OF 1