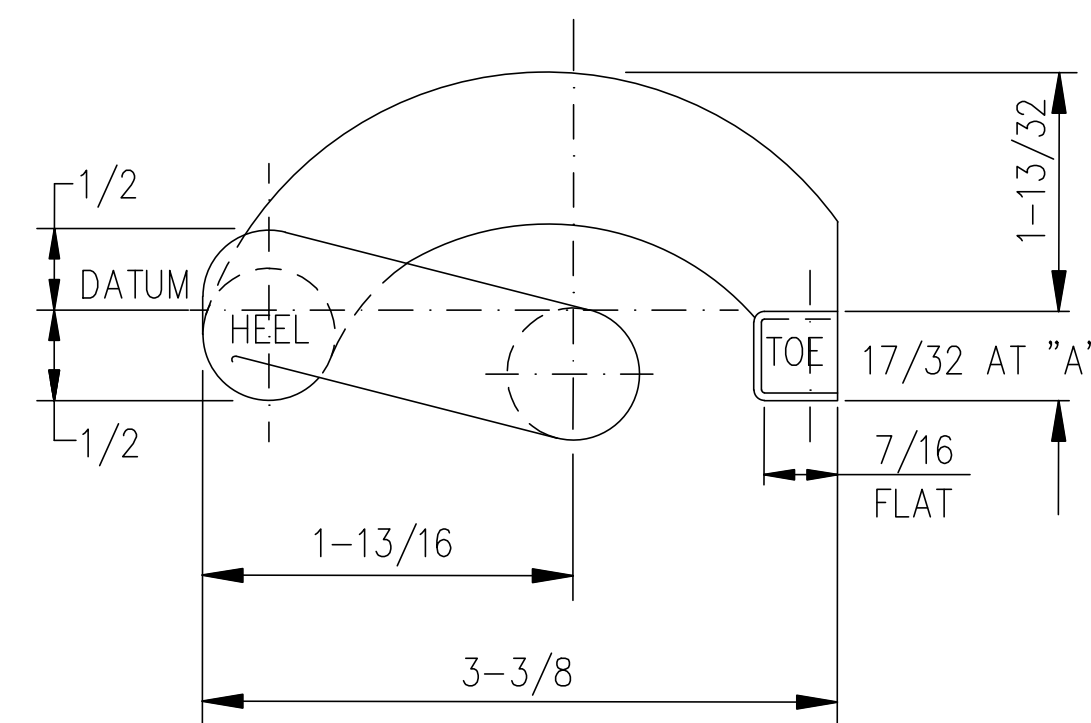
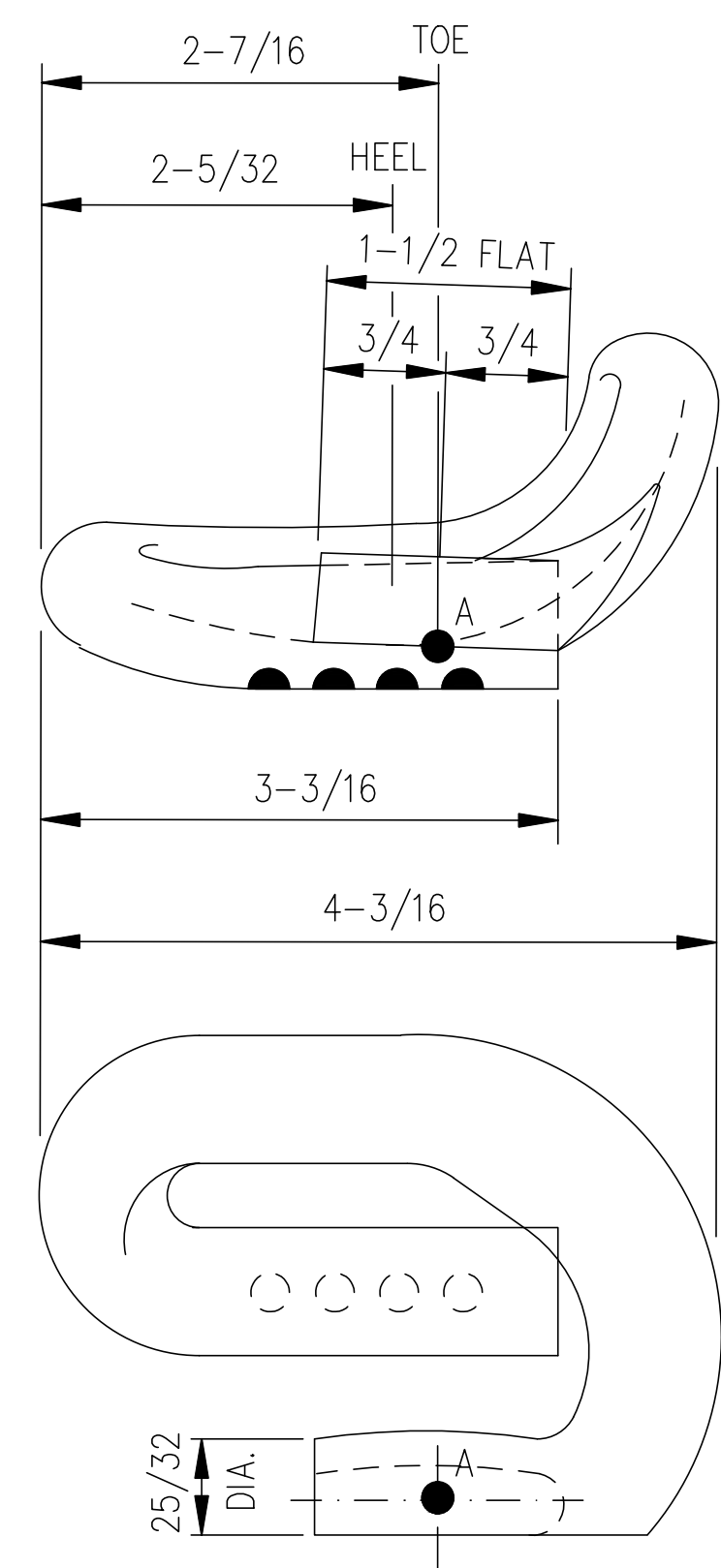
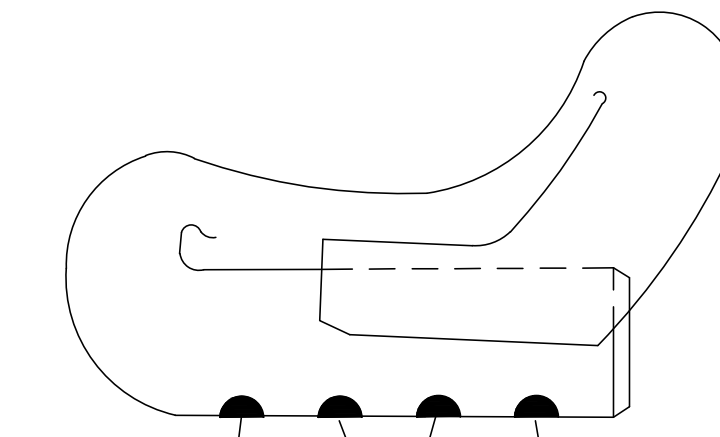


PANDROL RAIL CLIP  
TYPE e2055 FLAT TOE  
FOR WOOD AND CONCRETE TIES



PANDROL RAIL CLIP  
TYPE e2063 FLAT TOE  
FOR BONDED INSULATED RAIL JOINTS



YEAR CODE			STAMP CODE	COUNTRY CODE
W = 2001	B = 2011	L = 2021	A G D F H	A = U.K. G = CANADA D = USA F = BRAZIL H = SOUTH AFRICA
X = 2002	C = 2012	M = 2022		
Y = 2003	D = 2013	N = 2023		
Z = 2004	E = 2014	P = 2024		
5 = 2005	F = 2015	Q = 2025		
6 = 2006	G = 2016	R = 2026		
7 = 2007	H = 2017	S = 2027		
8 = 2008	I = 2018	T = 2028		
9 = 2009	J = 2019	U = 2029		
A = 2010	K = 2020	V = 2030		

EXAMPLE: NTC DESIGNATES AN e2055 CLIP (TC) MADE IN THE USA (D) IN 2023 (N).

PANDROL "e" TYPE CLIPS			
CLIP TYPE.	COLOUR CODING	STAMP CODE	WEIGHT ( LBS. )
e 2055	AS MADE	TC	1.71
e 2063	GREEN	TH	1.63

### STAMPING DETAILS

#### NOTES:

1. ALL DIMENSIONS ARE IN INCHES.
2. MATERIAL: HEAT TREATED STEEL, 25/32" DIAMETER FOR e2055, e2063.
3. LEGACY e2009L CLIPS ARE ACCEPTABLE FOR USE ON CONCRETE TIES ONLY.

METRIC CONVERSION: 1 inch=25.4mm, 1 foot=304.8mm

No.	Date	Revision	By	Approved
2	23/10/31	UPDATED STAMPING DETAILS		
1	18/07/27	ADDED IMPERIAL TO METRIC CONVERSION NOTE		

Standard/ **PANDROL RAIL CLIPS**

Drawn NA Checked SJ Approved *[Signature]*  
VP Engineering & Asset Management - Track

**METROLINX**

Date OCTOBER 31/2023 Plan Number GTS-1322 Rev 2

REFERENCE: TS-1322\_SH1\_R2 Sheet 1 OF 3