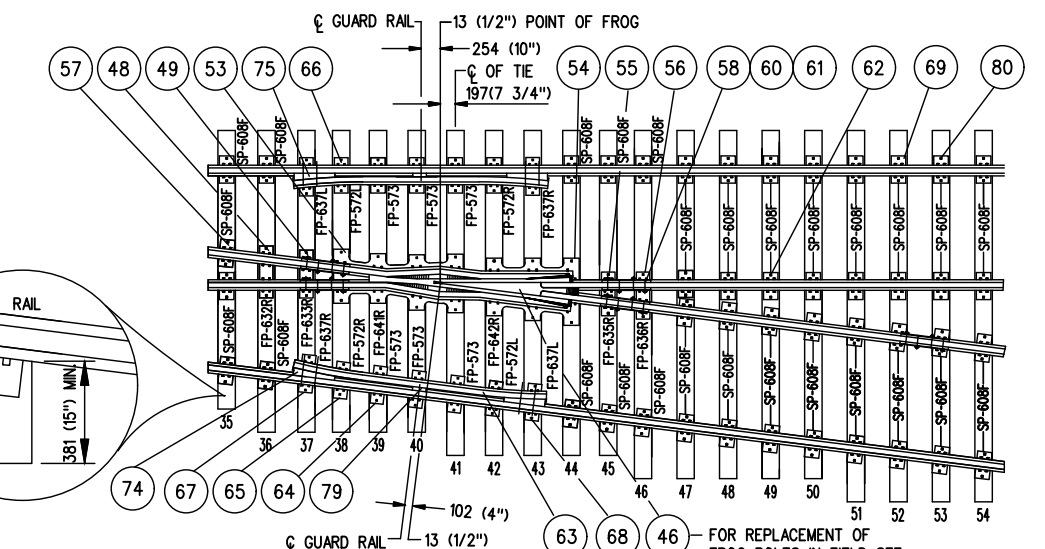
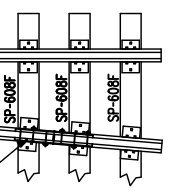
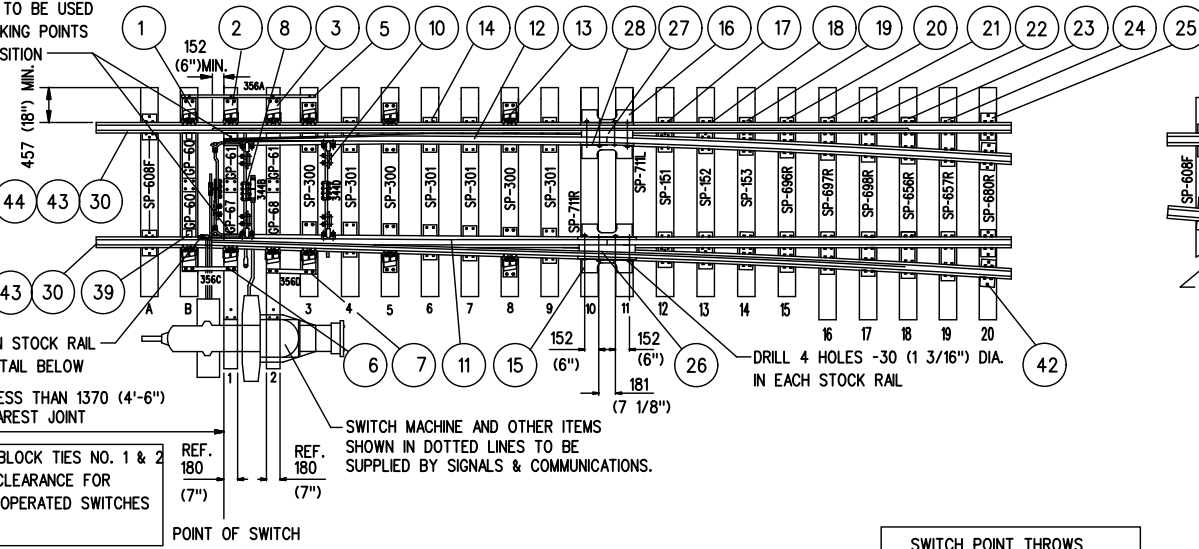


POWER OPERATED SWITCH
DRAWING NO GTS-0008 A & E
RIGHT HAND TURNOUT
MACHINE MOUNTED ON RIGHT



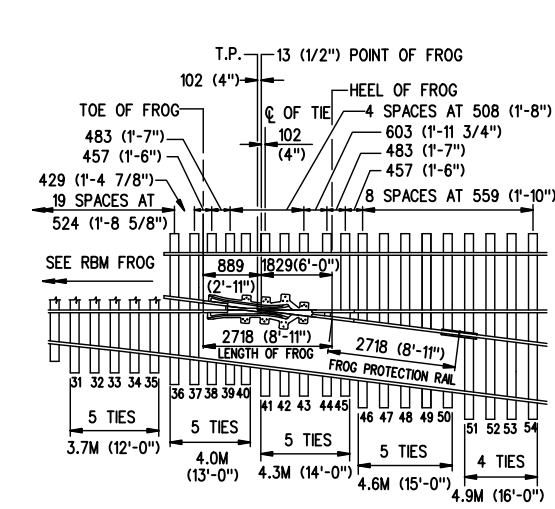
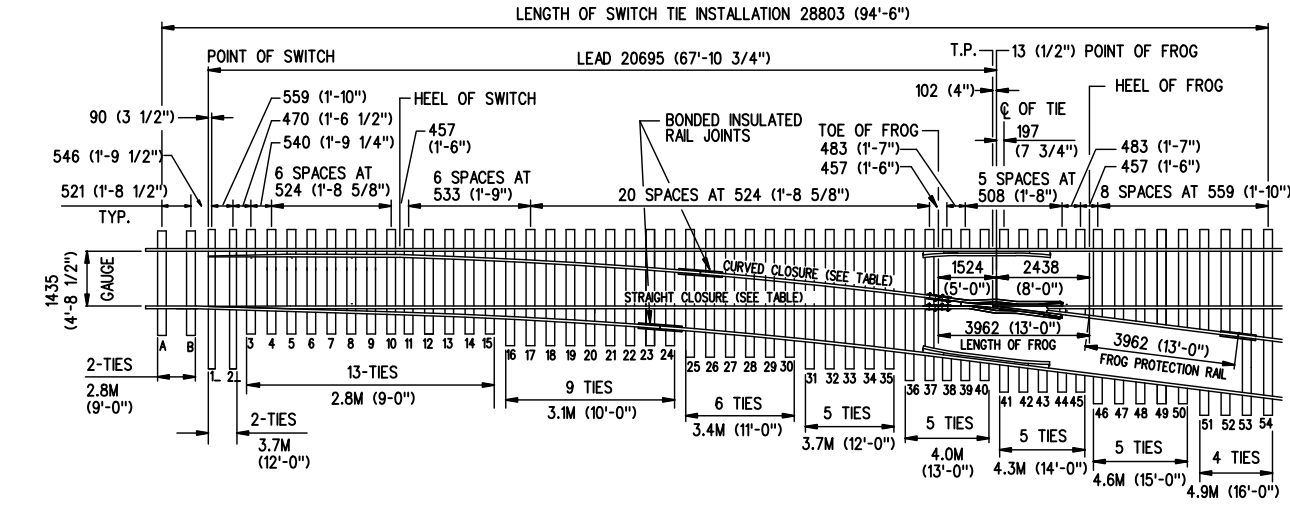
TURNOUT DATA

RBM FROG		SGM FROG	
FROG NO.	8	FROG NO.	8
LENGTH OF SWITCH PT.	5029 (16'-6")	LENGTH OF SWITCH PT.	5029 (16'-6")
HEEL SPREAD	159 (6 1/4")	HEEL SPREAD	159 (6 1/4")
LEAD	20695 (67'-10 3/4")	LEAD	20695 (67'-10 3/4")
P.S. TO H.F. RBM FROG	23133 (75'-10 3/4")	P.S. TO H.F.	22923 (73'-10 3/4")

14143 (46'-4 3/4") STRAIGHT CLOSURE LENGTH MADE UP BY A 14143 (46'-4 3/4") RAIL OR:		14776 (48'-5 3/4") STRAIGHT CLOSURE LENGTH MADE UP BY A 14776 (48'-5 3/4") RAIL OR:	
A 10058 (33') AND 4085 (13'-4 3/4") RAIL	A 9144 (30') AND 4999 (16'-4 3/4") RAIL	A 10058 (33') AND 4718 (15'-5 3/4") RAIL	A 9144 (30') AND 5632 (18'-5 3/4") RAIL

14226 (46'-7 5/64") CURVED CLOSURE LENGTH MADE UP BY A 14226 (46'-7 5/64") RAIL OR:		14836 (48'-8 5/64") CURVED CLOSURE LENGTH MADE UP BY A 14836 (48'-8 5/64") RAIL OR:	
A 10058 (33') AND 4142 (13'-7 5/64") RAIL	A 9144 (30') AND 5056 (16'-7 5/64") RAIL	A 10058 (33') AND 4778 (15'-8 5/64") RAIL	A 9144 (30') AND 5692 (18'-8 5/64") RAIL

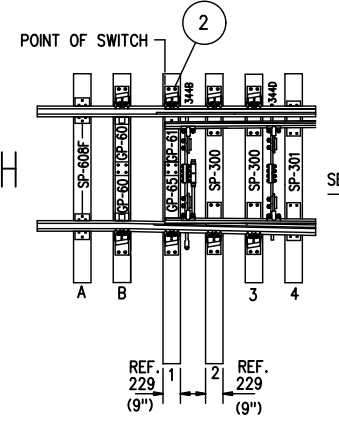
**TIE ARRANGEMENT & SPACING
HAND OPERATED & SPRING SWITCHES**



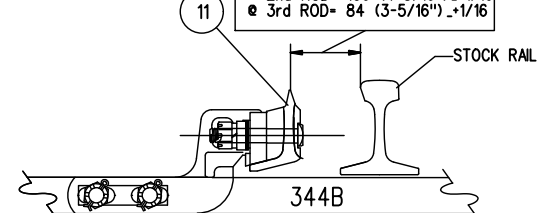
**TIE ARRANGEMENT & SPACING
POWER OPERATED SWITCH
RBM FROG**

**TIE ARRANGEMENT & SPACING
SGM FROG**

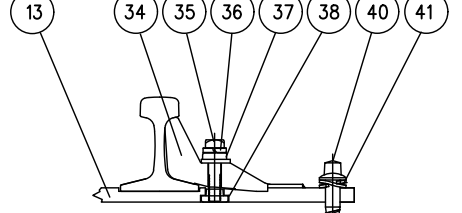
HAND OPERATED SWITCH
DRAWING NO GTS-0008 I & K
RIGHT HAND TURNOUT (SHOWN)
DRAWING NO GTS-0010 J & L
LEFT HAND TURNOUT



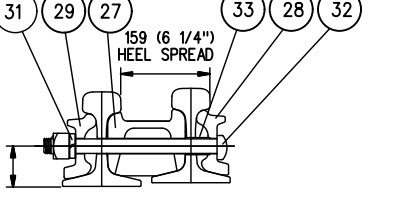
**"MJS" CLIP ASSEMBLY
SPRING SWITCH (SHOWN)**



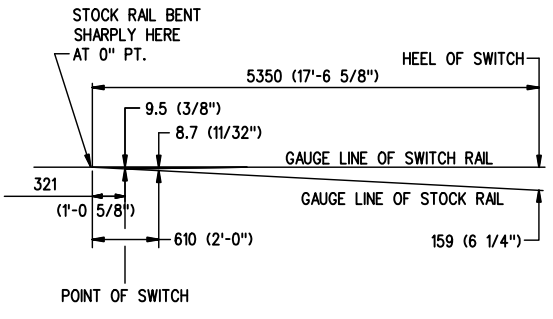
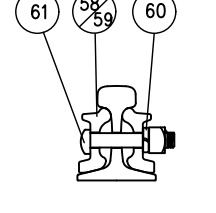
**ADJUSTABLE
RAIL BRACE ASSEMBLY**



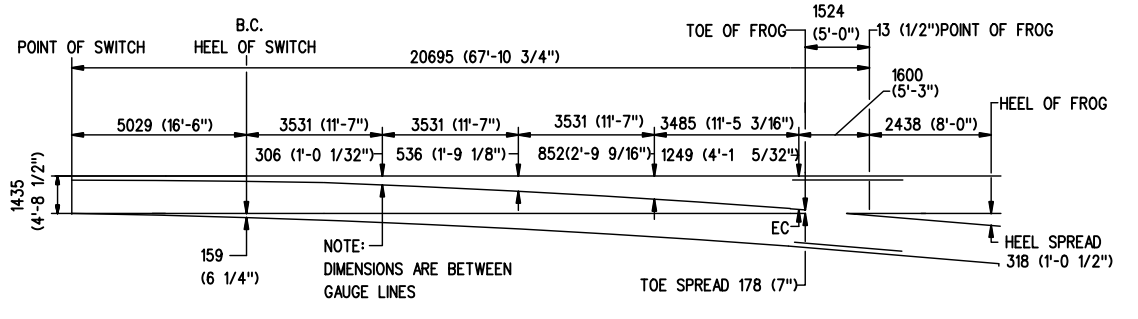
**HEEL BLOCK
ASSEMBLY**



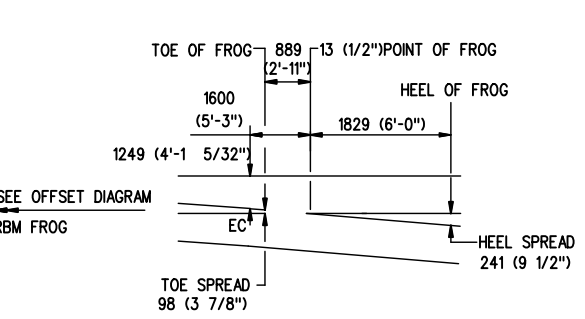
**SPLICE BAR
ASSEMBLY**



STOCK RAIL BENDING DETAIL

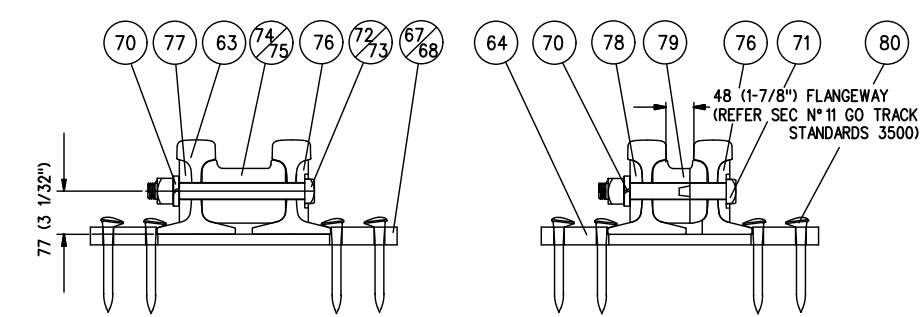
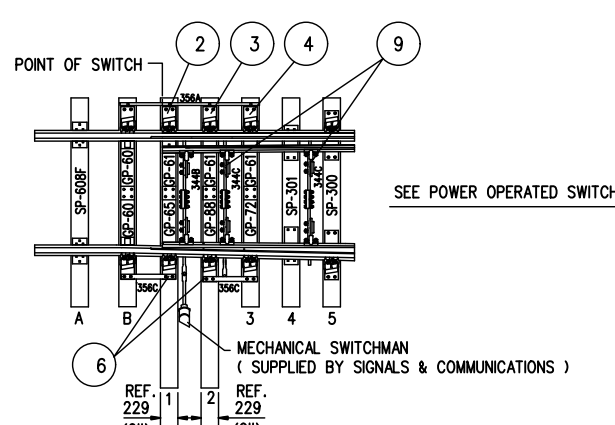


**OFFSET DIAGRAM
RBM FROG**

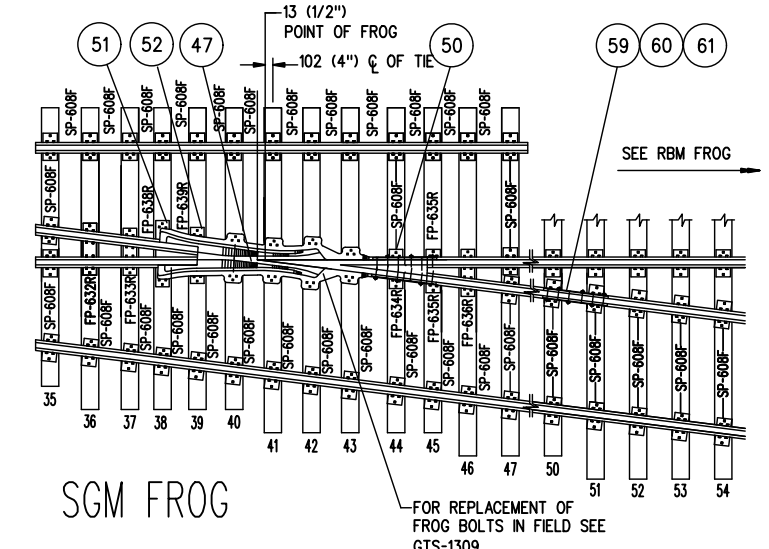


**OFFSET DIAGRAM
SGM FROG**

SPRING SWITCH
DRAWING NO GTS-0008 M & O
RIGHT HAND TURNOUT (SHOWN)
DRAWING NO GTS-0010 N & P
LEFT HAND TURNOUT



GUARD RAIL ASSEMBLIES



SGM FROG

DISPONIBLE EN FRANÇAIS

- NOTES:**
- TURNOUT TO BE INSTALLED AND MAINTAINED IN ACCORDANCE WITH THE LATEST ISSUE OF THE RM.
 - WHEN REFERRING TO TURNOUTS, DRAWING NUMBER MUST BE STATED AS "A" TO "P" TO INDICATE:
 - A- RIGHT HAND TURNOUT- POWER OPERATED SWITCH- MACHINE ON RIGHT- RBM FROG
 - B- RIGHT HAND TURNOUT- POWER OPERATED SWITCH- MACHINE ON LEFT- RBM FROG
 - C- LEFT HAND TURNOUT- POWER OPERATED SWITCH- MACHINE ON RIGHT- RBM FROG
 - D- LEFT HAND TURNOUT- POWER OPERATED SWITCH- MACHINE ON LEFT- RBM FROG
 - E- RIGHT HAND TURNOUT- POWER OPERATED SWITCH- MACHINE ON RIGHT- SGM FROG
 - F- RIGHT HAND TURNOUT- POWER OPERATED SWITCH- MACHINE ON LEFT- SGM FROG
 - G- LEFT HAND TURNOUT- POWER OPERATED SWITCH- MACHINE ON LEFT- SGM FROG
 - H- LEFT HAND TURNOUT- POWER OPERATED SWITCH- MACHINE ON RIGHT- SGM FROG
 - I- RIGHT HAND TURNOUT- HAND OPERATED SWITCH- RBM FROG
 - J- LEFT HAND TURNOUT- HAND OPERATED SWITCH- RBM FROG
 - K- RIGHT HAND TURNOUT- HAND OPERATED SWITCH- SGM FROG
 - L- LEFT HAND TURNOUT- HAND OPERATED SWITCH- SGM FROG
 - M- RIGHT HAND TURNOUT- SPRING SWITCH- RBM FROG
 - N- LEFT HAND TURNOUT- SPRING SWITCH- RBM FROG
 - O- RIGHT HAND TURNOUT- SPRING SWITCH- SGM FROG
 - P- LEFT HAND TURNOUT- SPRING SWITCH- SGM FROG
 - FOR OTHER TURNOUT COMBINATIONS SEE INDEX GTS-0000 SHEETS 1 TO 3.
 - TURNOUT GEOMETRY, FOR TABLES OF DIMENSIONS AND OFFSETS SEE GTS-0001 NO.8 TURNOUTS.
 - SWITCH STANDS ON HAND OPERATED & SPRING SWITCH TURNOUTS ARE NORMALLY LOCATED ON THE DIVERGING SIDE. PRE-ASSEMBLED TURNOUTS SHALL FOLLOW THIS ARRANGEMENT UNLESS OTHERWISE SPECIFIED WHEN ORDERING.

METRIC CONVERSION: 1 inch=25.4mm, 1 foot=304.8mm

No.	Date	Revision	By	Approved
1	18/07/27	ADDED IMPERIAL TO METRIC CONVERSION NOTE		

Standard / **NO. 8 TURNOUT-115 LB. RAIL**
16'6" SAMSON POINT SWITCH
UNIFORM RISER DESIGN
WOOD TIES

Drawn MG Checked GS Approved VP Engineering & Asset Management

Date SEPT 15/2017 Plan Number GTS-0008 Rev 1

REFERENCE: TS-0008_R1 Sheet 1 OF 1

BILL OF MATERIALS FOR GTS-0008

ITEM	DESCRIPTION	STANDARD DRAWING	MARK NUMBER	QUANTITY																
				A	B	C	D	E	F	G	H	I	J	K	L	M	N	O	P	
GTS- 008G	FROG RBM 8-115	1																		
	SW-PK INS 16'-6" SAMSON PO NO. 8G-115 LBS.	1																		
	FR-PK SGM 8-115	1																		
GTS- 008H	FROG RBM 8-115	1																		
	SW-PK INS SAMSON PO NO. 8H-115 LBS.	1																		
	FR-PK SGM 8-115	1																		
GTS- 008I	FROG RBM 8-115	1																		
	SW-PK INS SAMSON PO NO. 8I-115 LBS.	1																		
	GR-PK 115 11'-0"	1																		
	FR-PK RBM 8-115	1																		
GTS- 008J	FROG RBM 8-115	1																		
	SW-PK INS SAMSON PO NO. 8J-115 LBS.	1																		
	GR-PK 115 11'-0"	1																		
	FR-PK RBM 8-115	1																		
GTS- 008K	FROG RBM 8-115	1																		
	SW-PK INS SAMSON PO NO. 8K-115 LBS.	1																		
	FR-PK SGM 8-115	1																		
GTS- 008L	FROG RBM 8-115	1																		
	SW-PK INS SAMSON PO NO. 8L-115 LBS.	1																		
	FR-PK SGM 8-115	1																		
GTS- 008M	FROG RBM 8-115	1																		
	SW-PK INS SAMSON PO NO. 8M-115 LBS.	1																		
	GR-PK 115 11'-0"	1																		
	FR-PK RBM 8-115	1																		
GTS- 008N	FROG RBM 8-115	1																		
	SW-PK INS SAMSON PO NO. 8N-115 LBS.	1																		
	GR-PK 115 11'-0"	1																		
	FR-PK RBM 8-115	1																		
GTS- 008O	FROG RBM 8-115	1																		
	SW-PK INS SAMSON PO NO. 8O-115 LBS.	1																		
	FR-PK SGM 8-115	1																		
GTS- 008P	FROG RBM 8-115	1																		
	SW-PK INS SAMSON PO NO. 8P-115 LBS.	1																		
	FR-PK SGM 8-115	1																		
SW - PK - SWITCH PAK		SAM - SAMSON																		
FR - PK - FROG PAK		SGM - SELF GUARD																		
GR - PK - GUARD RAIL PAK		MANGANESE																		
INS - INSULATED		HO - HAND OPERATED																		
NOTE:																				
1 - For a new installation, necessary rail, bonded insulated joints, splice bars, bolts, washers, rail anchors, connecting rod, switch stand, targe and reflectorized target kit may be required in addition to the materials listed above																				
BILL OF SWITCH TIES FOR HAND AND SPRING OPERATION																				
TIES 180 X 230 mm (7" X 9")																				
		LENGTH		LENGTH																
METRES	FEET/INCHES		NO. OF PIECES	METRES	FEET/INCHES		NO. OF PIECES													
2.8	9' - 0"		15	2.8	9' - 0"		15													
3.1	10' - 0"		9	3.1	10' - 0"		9													
3.4	11' - 0"		6	3.4	11' - 0"		6													
3.7	12' - 0"		5	3.7	12' - 0"		7													
4.0	13' - 0"		5	4.0	13' - 0"		5													
4.3	14' - 0"		5	4.3	14' - 0"		5													
4.6	15' - 0"		5	4.6	15' - 0"		5													
4.9	16' - 0"		6	4.9	16' - 0"		4													
TOTAL NUMBER OF TIES - 56				TOTAL NUMBER OF TIES - 56																