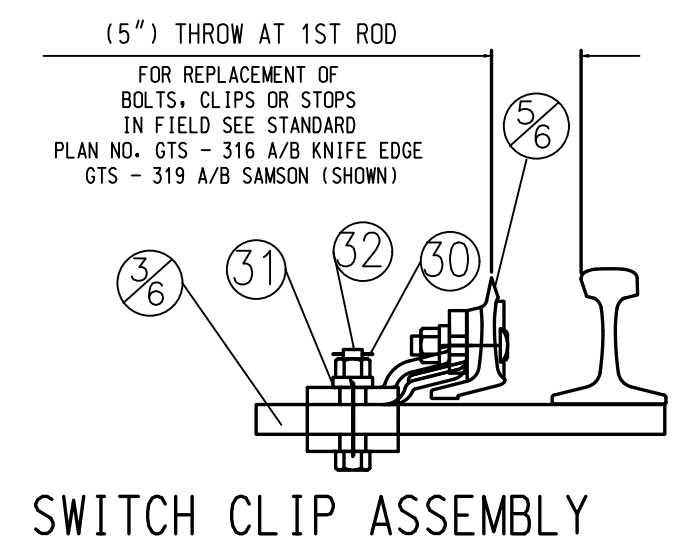
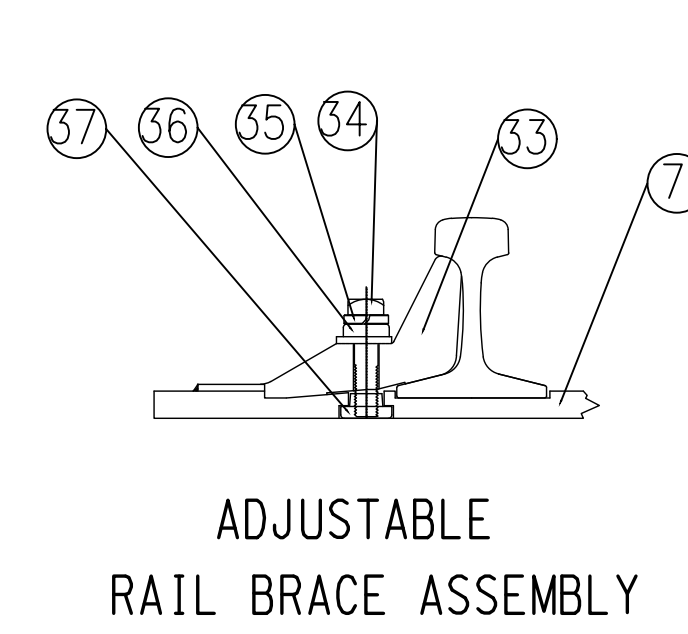


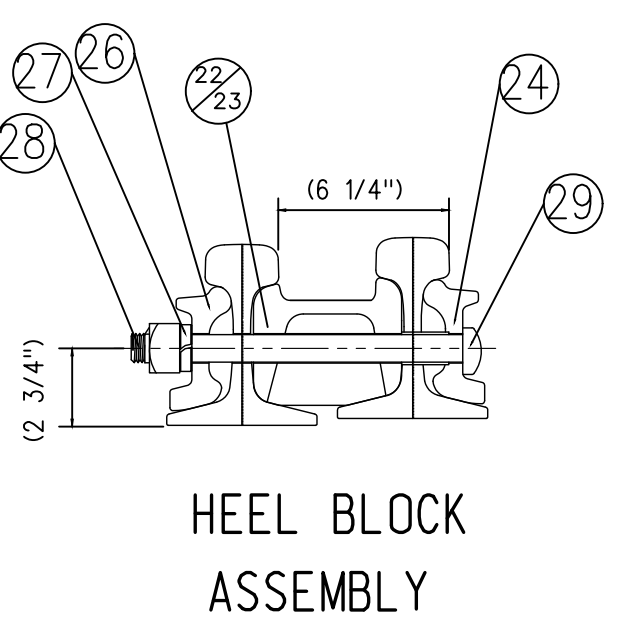
GENERAL ARRANGEMENT
DRAWING NO GTS-0032 A
RIGHT HAND TURNOUT



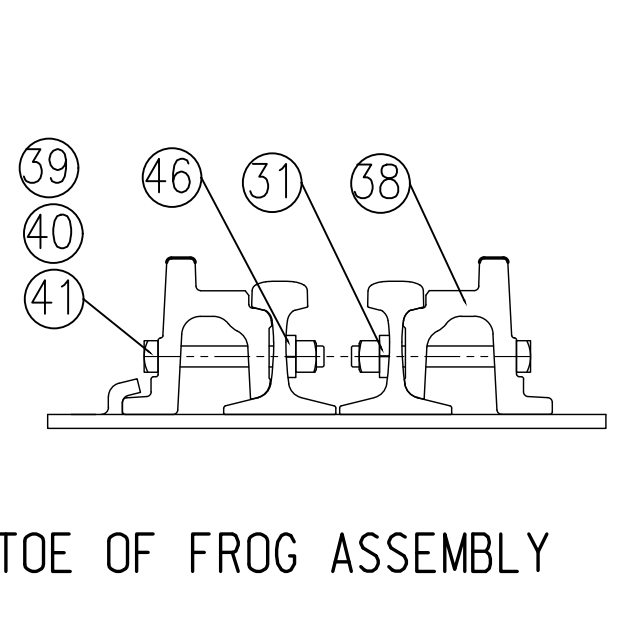
SWITCH CLIP ASSEMBLY



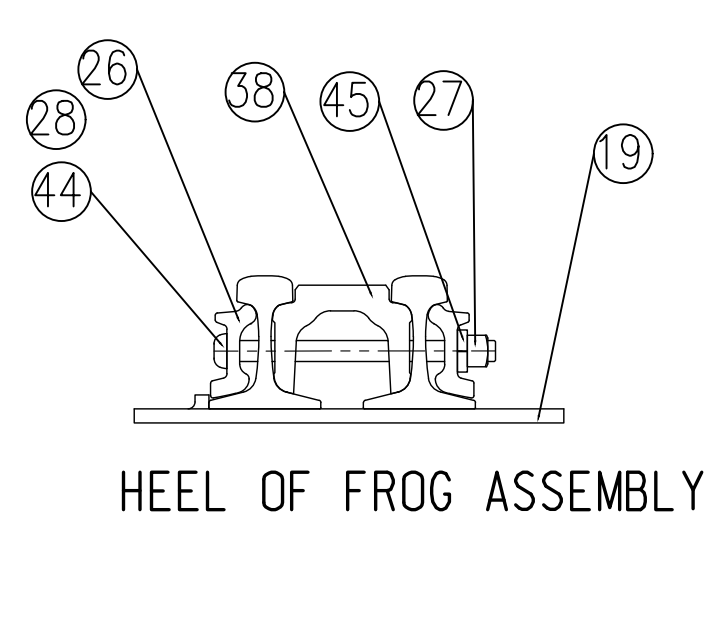
ADJUSTABLE
RAIL BRACE ASSEMBLY



HEEL BLOCK
ASSEMBLY

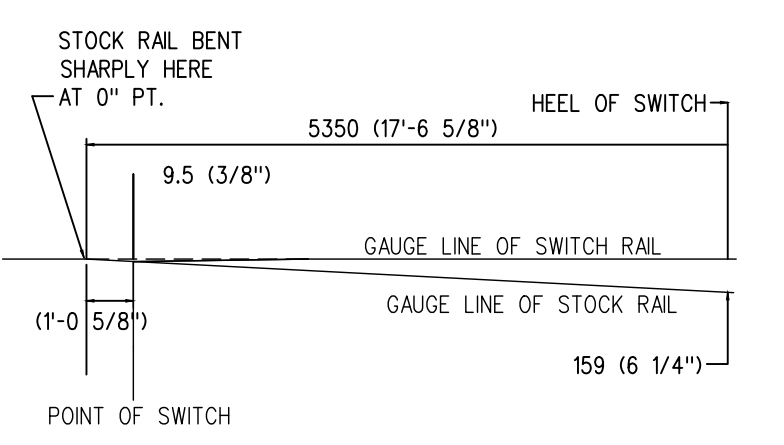


TOE OF FROG ASSEMBLY

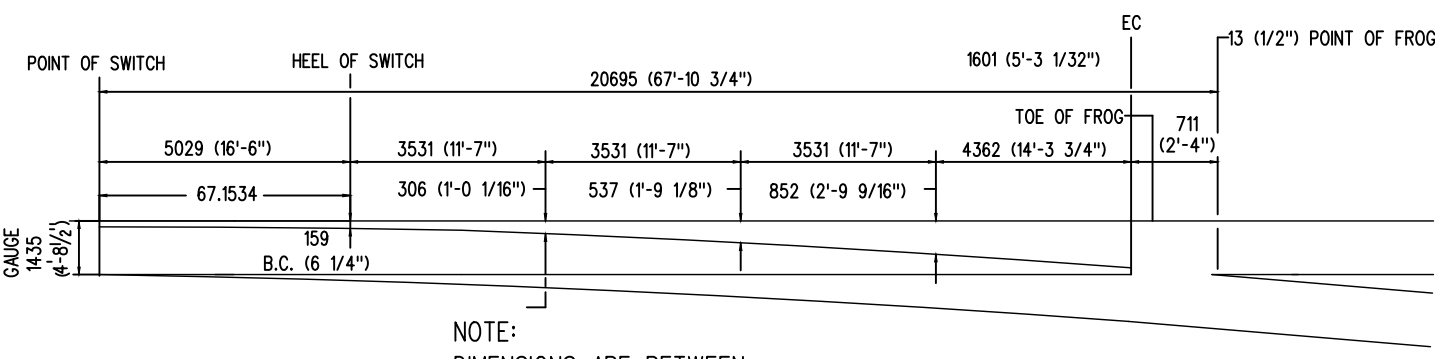


HEEL OF FROG ASSEMBLY

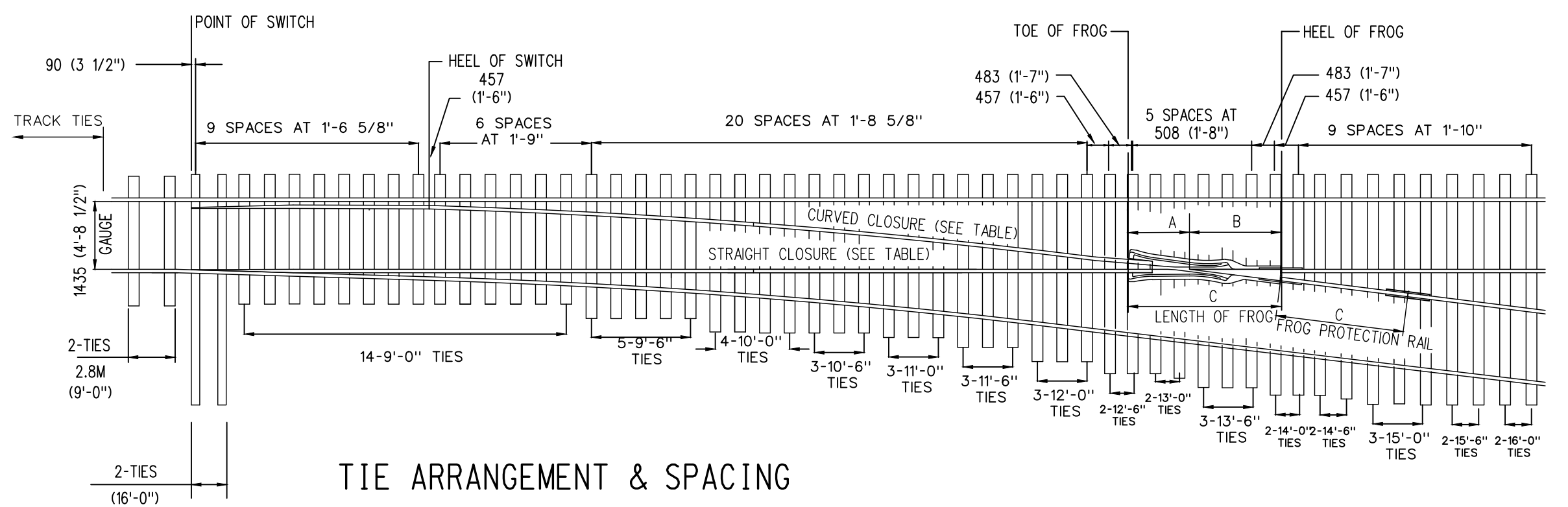
- NOTES**
- 1- FOR BILL OF MATERIAL, SEE REVERSE SIDE
 - 2- TURNOUT TO BE INSTALLED ACCORDING TO RM-3500, LATEST ISSUE.
 - 3- FOR OTHER GENERAL ARRANGEMENT TURNOUT DRAWINGS, SEE INDEX DRAWING GTS-0
 - 4- WHEN REFERRING TO TURNOUTS, DRAWING NUMBER MUST BE STATED AS A OR B TO INDICATE RIGHT OR LEFT HAND TURNOUT.
A: RIGHT HAND TURNOUT
B: LEFT HAND TURNOUT
 - 5- FOR GENERAL ARRANGEMENT OF SWITCH STAND SEE DRAWING GTS-701



STOCK RAIL BENDING DETAIL



OFFSET DIAGRAM



TIE ARRANGEMENT & SPACING
POWER OPERATED SWITCH

- TURNOUT DATA:**
- FROG NO -----8
 - LENGTH OF SWITCH-----16'-6"
 - HEEL SPREAD-----6 1/4"
 - LEAD-----67'-10 3/4"
 - PS TO H.F.-----73'-1 3/4"
 - 49'-0 3/4" STRAIGHT CLOSURE LENGTH
MADE UP BY A 49'-0 3/4" RAIL OR:
A 33' AND 16'-0 3/4" RAIL
A 30' AND 19'-0 3/4" RAIL
 - 49'-3 1/4" CURVE CLOSURE LENGTH
MADE UP BY A 49'-3 1/4" RAIL OR:
A 33' AND 16'-3 1/4" RAIL
A 30' AND 19'-3 1/4" RAIL

METRIC CONVERSION: 1 inch=25.4mm, 1 foot=304.8mm		
No.	Date	Revision
1	18/07/27	ADDED IMPERIAL TO METRIC CONVERSION NOTE
By Approved		
Standard		NO. 8 TURNOUT-16'6" POINTS NON-INSTLED S.G.M FROG 100LB. A.R.A-A. RAIL
Drawn	Checked	Approved
MG	GGG	VP Engineering & Asset Management
Date		Plan
DEC 15, 2017		Number
		GTS-0032
		Rev
		1
REFERENCE: TS-32 A/B		Sheet 1 OF 1

