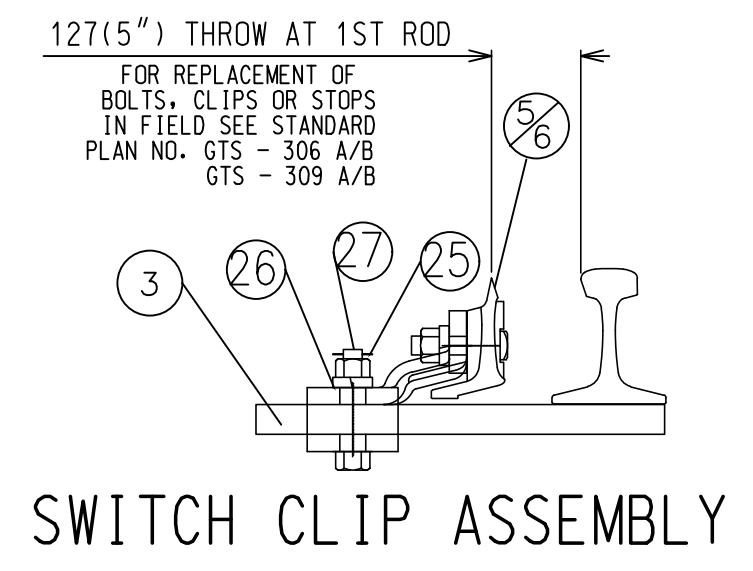
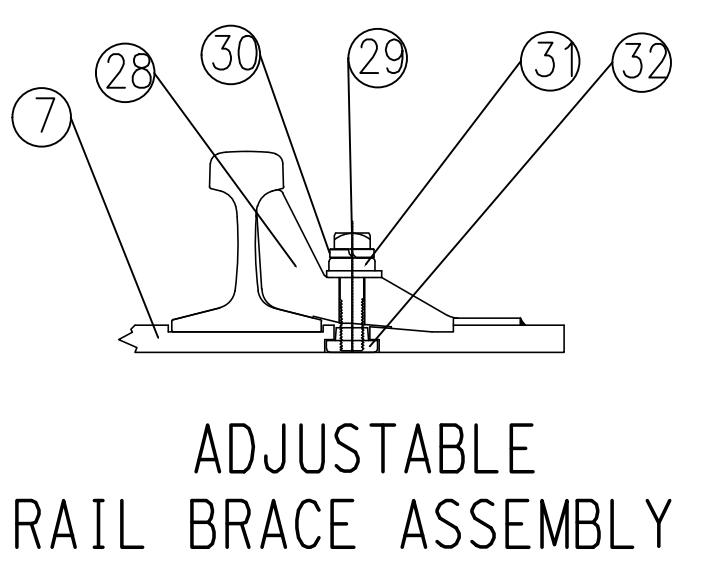


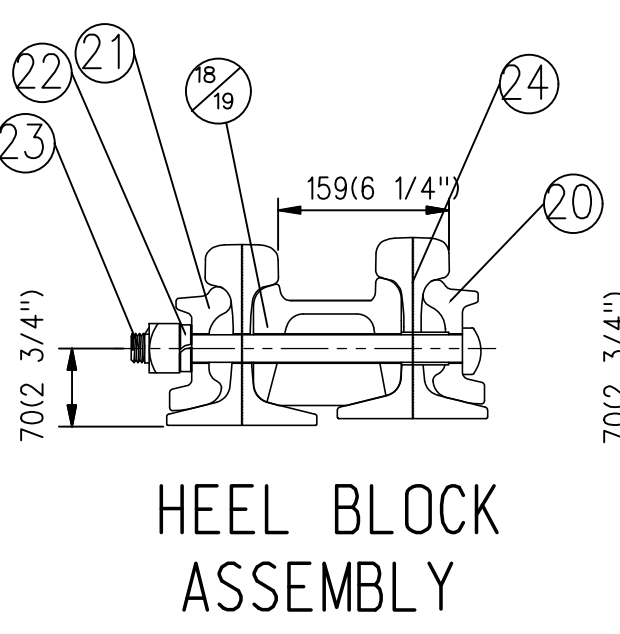
GENERAL ARRANGEMENT
DRAWING NO GTS-0041 A
RIGHT HAND TURNOUT



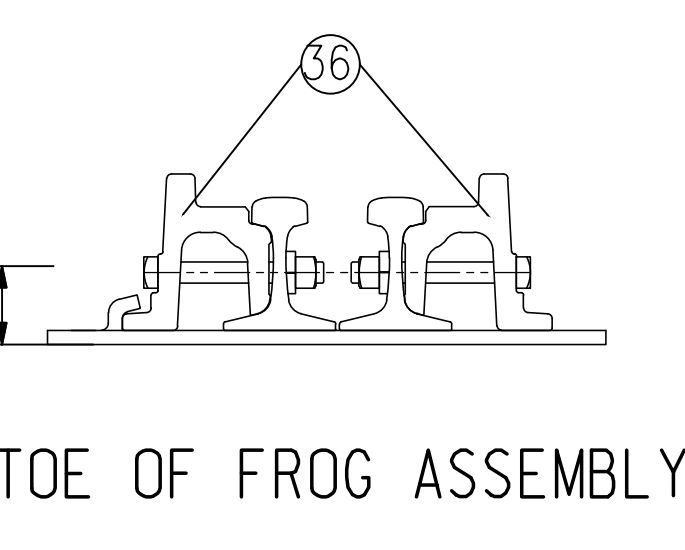
SWITCH CLIP ASSEMBLY



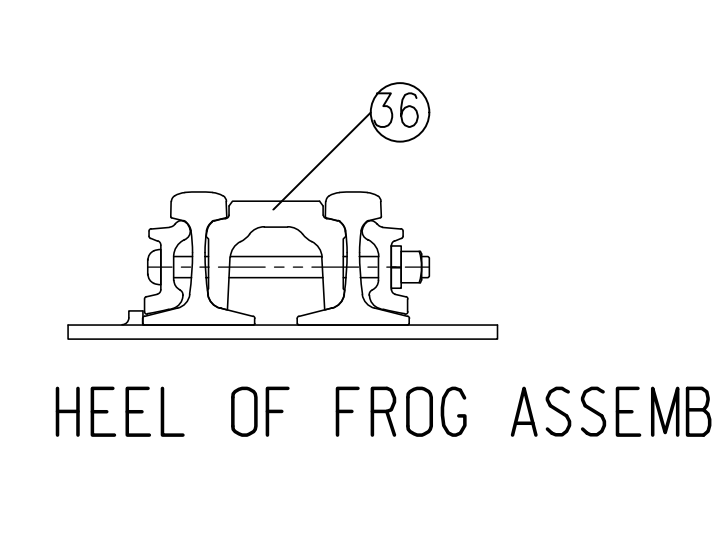
ADJUSTABLE RAIL BRACE ASSEMBLY



HEEL BLOCK ASSEMBLY



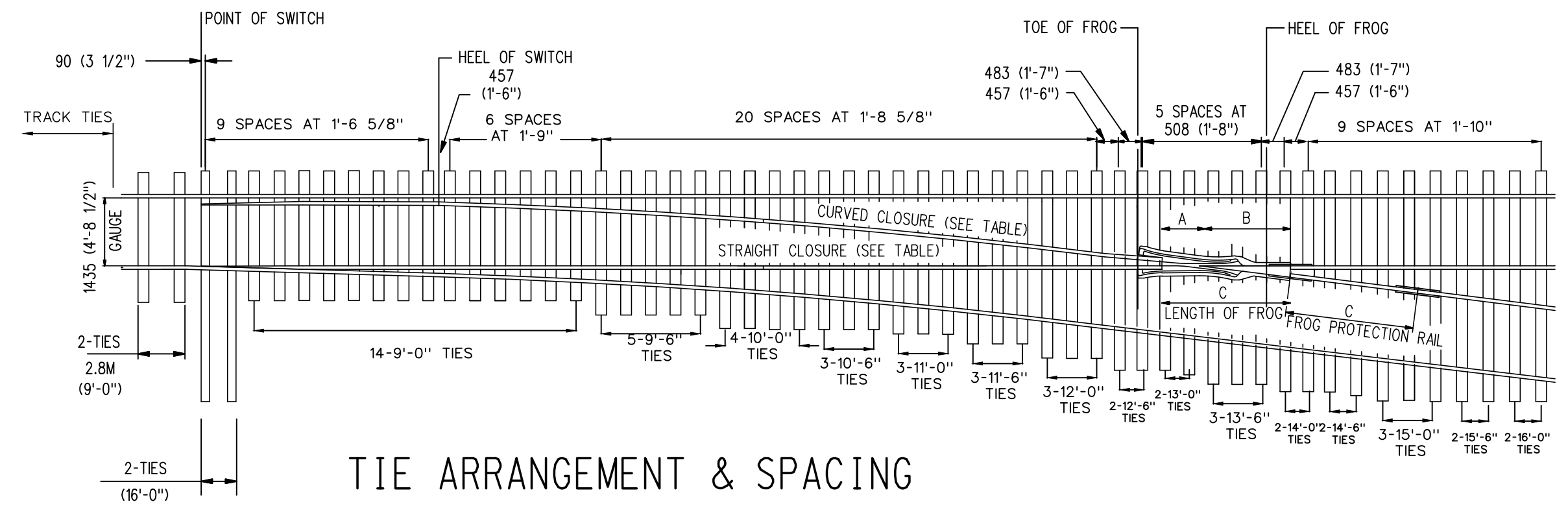
TOE OF FROG ASSEMBLY



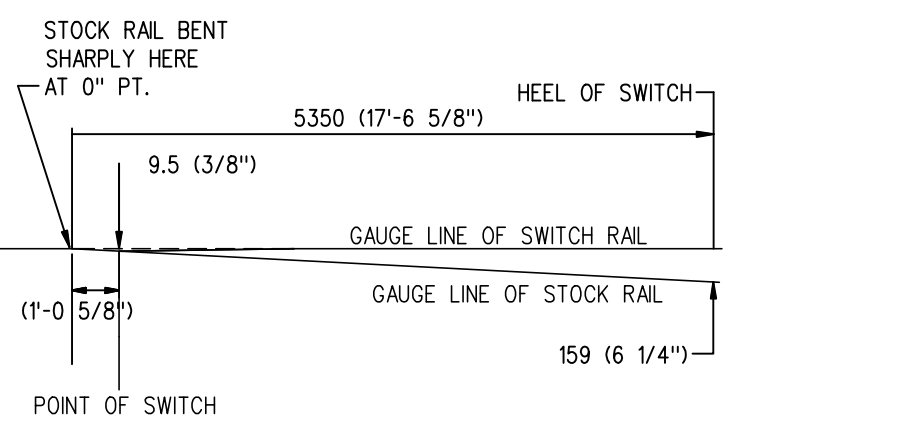
HEEL OF FROG ASSEMBLY

NOTES

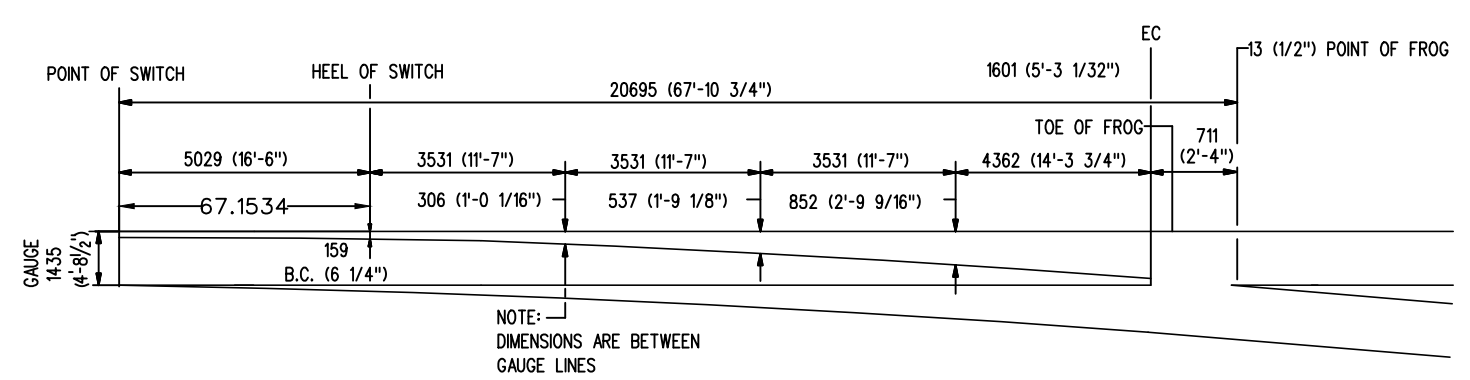
- TURNOUT TO BE INSTALLED AND MAINTAINED IN ACCORDING WITH THE LATEST ISSUE OF:
RM.3500 TURNOUTS
RM.3502 POWER, SPRING AND INSTALLED SWITCH
RM.3506 SWITCH STAND, SWITCH LAMPS AND TARGETS, WHERE APPLICABLE
- WHEN REFERRING TO MANUAL TURNOUTS, DRAWING NUMBER MUST BE STATED AS A OR B:
A-RIGHT HAND TURNOUT
B-LEFT HAND TURNOUT
- FOR THE VARIOUS STANDARD TURNOUT COMBINATIONS SEE INDEX SHEET GTS-0
- TURNOUT GEOMETRY, FOR TABLES OF DIMENSIONS AND OFFSETS SEE GTS-1



TIE ARRANGEMENT & SPACING



STOCK RAIL BENDING DETAIL



OFFSET DIAGRAM

TURNOUT DATA:
FROG NO -----8
LENGTH OF SW.P.T.-----5029 (16'-6'')
HEEL SPREAD-----159 (6 1/4'')
LEAD-----20695 (67'-10 3/4'')
PS TO H.F.-----22295 (73'-1 3/4'')
14954 (49'-0 3/4'') STRAIGHT CLOSURE LENGTH

MADE UP BY A 14954 (49'-0 3/4'') RAIL OR:
A 10058 (33') AND 4896 (16'-0 3/4'') RAIL
A 9144 (30') AND 5810 (19'-0 3/4'') RAIL
15018 (49'-3 1/4'') CURVE CLOSURE LENGTH
MADE UP BY A 15018 (49'-3 1/4'') RAIL OR:
A 10058 (33') AND 4960 (16'-3 1/4'') RAIL
A 9144 (30') AND 5874 (19'-3 1/4'') RAIL

METRIC CONVERSION: 1 inch=25.4mm, 1 foot=304.8mm			
No.	Date	Revision	By Approved
1	18/07/27	ADDED IMPERIAL TO METRIC CONVERSION NOTE	
Standard		NO. 8 TURNOUT-16'6\"/>	
Drawn	Checked	Approved	Management
MG	GGG		
Date		Plan Number	Rev
DEC 15, 2017		GTS-0041	1
REFERENCE: TS-41 A/B			Sheet 1 OF 1

BILL OF MATERIALS FOR GTS-0041

ITEM	DESCRIPTION	STANDARD DRAWING	MARK NO.	QUANTITY	
				A	B
SWITCH PACK					
1	1st. GAUGE PLATE C/W INSULATION PLATE 100/132	GTS-0521	GP60/GP60	1	1
2	2nd. GAUGE PLATE C/W INSULATION PLATE 100/132	GTS-0521	GP65/GP61	1	-
-	2nd. GAUGE PLATE C/W INSULATION PLATE 100/132	GTS-0521	GP61/GP62	-	1
3	SWITCH ROD	GTS-0341A	341A	1	1
4	SWITCH ROD	GTS-0341D	341D	1	1
5	RIGHT SAMSON POINT RAIL	GTS-0309A	309A	-	1
	RIGHT POINT RAIL	GTS-0306A	306A	1	-
6	LEFT SAMSON POINT RAIL	GTS-0309B	309B	1	-
	LEFT POINT RAIL	GTS-0306B	306B	-	1
7	SWITCH PLATE	GTS-0508	SP300	8	8
8	SWITCH PLATE	GTS-0509	SP301	10	10
9	SWITCH PLATE	GTS-0504	SP123	2	2
10	SWITCH PLATE	GTS-0507	SP151	2	2
11	SWITCH PLATE	GTS-0507	SP152	2	2
12	SWITCH PLATE	GTS-0506	SP153	2	2
13	HOOK TWIN TIE PLATE	GTS-0503	LR27	8	8
14	HOOK TWIN TIE PLATE	GTS-0503	L27	8	8
15	HOOK TWIN TIE PLATE	GTS-0503	LR31	4	4
16	HOOK TWIN TIE PLATE	GTS-0503	L31	3	3
17	HOOK TWIN TIE PLATE	GTS-0503	L31J	1	1
18	HEEL BLOCK(RIGHT HAND)	GTS-0358	16-6&22CP1-S	1	1
19	HEEL BLOCK (LEFT HAND)	GTS-0358	16-6&22CP2-S	1	1
20	BENT SPLICE BAR(4 HOLE) 100 LB.A.R.A. -A.	GTS-1204B	1204B	2	2
21	STRAIGHT SPLICE BAR (4 HOLE) - 100 LB. A.R.A. -A.	GTS-1201	-	1	1
22	SPRING WASHER for 1" DIA. BOLT	GTS-1301	-	8	8
23	1"DIA. - 8 NC OVAL NECK TRACK BOLT X 12" LG. C/W SQ. NUT	GTS-1319/9	-	8	8
24	PIPE THIMBLE - 1" DIA. X 2-1/32" LONG	GTS-345B	B	2	2
25	1/4" COTTER PIN X 2" LG.	-	-	4	4
26	SPRING WASHER for 1-1/8" DIA BOLT	GTS-1301	-	4	4
27	1-1/8" DIA. - 7 UNC HEX HD. BOLT X 5" LG. C/W HEX NUT	GTS-1311/2	-	4	4
28	ADJUSTABLE RAIL BRACE	GTS-0354	100M-7	12	12
29	7/8" DIA. 9 UNC SQ. HD. BOLT X 3-3/4" LG.	GTS-1308/5	-	24	24
30	SPRING WASHER for 7/8" DIA. BOLT	GTS-1301	-	24	24
31	DOUBLE WASHER	GTS-0354	M-10	12	12
32	DOUBLE NUT	GTS-0354	M-9	12	12
33	UNDERCUT STOCK RAIL - 100 LB. A.R.A.-A. 39' - 0" LG.	GTS-1105A	1105A	1	1
34	PANDROL CLIP - PR 631A	GTS-1322	-	2	2
35				16	16
	DOUBLE SPRING WASHER - TYPE FE6	GTS-1310	-	16	16
FROG					
36	#8-100 LB. SELF GUARDED MANGANESE STEEL FROG	R11C-142.1	-	1	1
FROG PACK					
37	HOOK TWIN TIE PLATE	GTS-0503	L23	2	2
38	HOOK TWIN TIE PLATE	GTS-0503	LR27	4	4
39	HOOK TWIN TIE PLATE	GTS-0503	L27	4	4
40	HOOK TWIN TIE PLATE	GTS-0503	LR23J	4	4
41	HOOK TWIN TIE PLATE	GTS-0503	L23J	2	2
42	HOOK TWIN TIE PLATE	GTS-0503	LR27J	5	5
43	HOOK TWIN TIE PLATE	GTS-0503	L27J	3	3
44	STRAIGHT SPLICE BAR (4 HOLE) - 100 LB. A.R.A. -A.	GTS-1201	-	1	1
TURNOUT PACKAGES					
TURNOUT NUMBER	DESCRIPTION	QUANTITY PER TURNOUT			
GTS- 041A	FROG SGM 8-100	1			
	SW-PK INS SAMSON HO NO. 8A - 100 LBS.	1			
	FR-PK SGM 8-100	1			
GTS- 041B	FROG SGM 8-100	1			
	SW-PK INS SAMSON HO NO. 8B - 100 LBS.	1			
	FR-PK SGM 8-100	1			
ABBREAVATIONS					
SW - PK - SWITCH PAK		SAM - SAMSON	SGM - SELF GUARD MANGANESE		
FR - PK - FROG PAK		HO - HAND OPERATED	RBM - RAIL BOUND MANGANESE		
GR - PK - GUARD RAIL PAK		SO - SPRING OPERATED			
INS - INSULATED		PO - POWER OPERATED			
NOTE:					
1 - For a new installation, necessary rail, bonded insulated joints, splice bars, bolts, washers, rail anchors, connecting rod, switch stand, targe and reflectorized target kit may be required in addition to the materials listed above					
BILL OF SWITCH TIES FOR HAND AND SPRING OPERATION			BILL OF SWITCH FOR POWER OPERATION		
TIES 180 X 230 mm (7" X 9")			TIES 180 X 230 mm (7" X 9")		
LENGTH			LENGTH		
METRES	FEET/INCHES	NO. OF PIECES	METRES	FEET/INCHES	NO. OF PIECES
2.8	9' - 0"	16	2.8	9' - 0"	14
3.1	10' - 0"	9	3.1	10' - 0"	6
3.4	11' - 0"	6	3.4	11' - 0"	4
3.7	12' - 0"	6	3.7	12' - 0"	3
4	13' - 0"	4	4	13' - 0"	4
4.3	14' - 0"	5	4.3	14' - 0"	3
4.6	15' - 0"	5	4.6	15' - 0"	3
4.9	16' - 0"	6	4.9	16' - 0"	4
TOTAL NUMBER OF TIES - 57			TOTAL NUMBER OF TIES - 41		