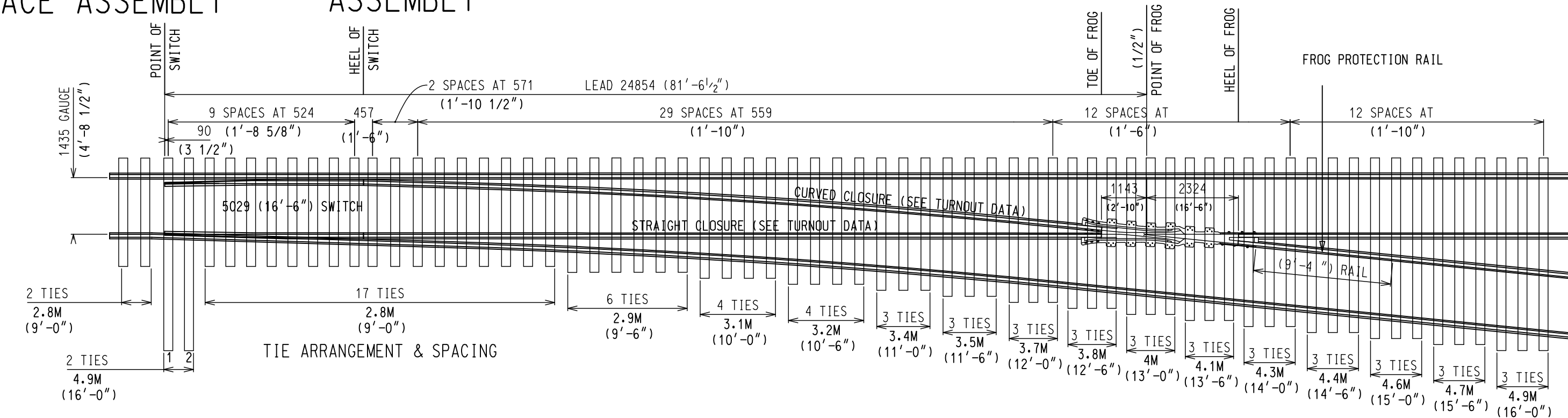


STOCK RAIL BENDING DETAIL



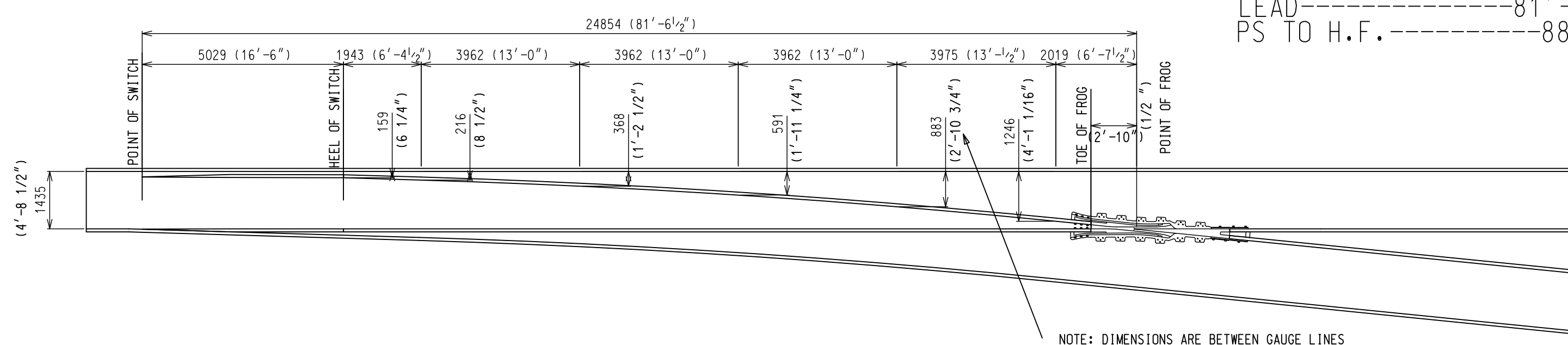
TURNOUT DATA:
 FROG NO -----10
 LENGTH OF SWITCH-----16'-6"
 HEEL SPREAD-----6 1/4"
 LEAD-----81'-6 1/2"
 PS TO H.F.-----88'-0 1/2"

62'-2 1/2" STRAIGHT CLOSURE LENGTH
 MADE UP BY A 62'-2 1/2" RAIL OR:
 A 39' AND 23'-2 1/2" RAIL
 A 36' AND 26'-2 1/2" RAIL
 A 33' AND 29'-2 1/2" RAIL

62'-4 1/2" CURVE CLOSURE LENGTH
 MADE UP BY A 62'-4 1/2" RAIL OR:
 A 39' AND 23'-4 1/2" RAIL
 A 36' AND 26'-4 1/2" RAIL
 A 33' AND 29'-4 1/2" RAIL

NOTES

- TURNOUT TO BE INSTALLED AND MAINTAINED IN ACCORDING WITH THE LATEST ISSUE OF:
 RM.3500 TURNOUTS
 RM.3502 POWER, SPRING AND INSTALLED SWITCH
 RM.3506 SWITCH STAND, SWITCH LAMPS AND TARGETS, WHERE APPLICABLE
- WHEN REFERRING TO MANUAL TURNOUTS, DRAWING NUMBER MUST BE STATED AS A OR B:
 A-RIGHT HAND TURNOUT
 B-LEFT HAND TURNOUT
- FOR GENERAL ARRANGEMENT OF SWITCH STAND & COMBINATION SEE GTS-701 AND GTS-702
- FOR THE VARIOUS STANDARD TURNOUT COMBINATIONS SEE INDEX SHEET GTS-0
- TURNOUT GEOMETRY, FOR TABLES OF DIMENSIONS AND OFFSETS SEE GTS-2



METRIC CONVERSION: 1 inch=25.4mm, 1 foot=304.8mm

1	18/07/27	ADDED IMPERIAL TO METRIC CONVERSION NOTE	
No.	Date	Revision	By Approved
Standard		NO. 10 TURNOUT-16'-6" POINTS S.G.M FROG INSULATED 100LB. A.R.A.A. RAIL	
Drawn	MG	Checked	GGG
Approved		Approved [Signature] Engineering & Asset Management	
Date	DEC 15, 2017	Plan Number	GTS-0098 Rev 1
REFERENCE: TS-98 A/B		Sheet 1 OF 1	



BILL OF MATERIALS FOR GTS-0098

ITEM	DESCRIPTION	STANDARD DRAWING	MARK NO.	QUANTITY	
				A	B
SWITCH PAK					
1	1st. GAUGE PLATE C/W INSULATION PLATE 100/132	GTS-0521	GP60/GP60	1	1
2	2nd. GAUGE PLATE C/W INSULATION PLATE 100/132	GTS-0521	GP65/GP61	1	-
	2nd. GAUGE PLATE C/W INSULATION PLATE 100/132	GTS-0521	GP61/GP62	-	1
3	SWITCH ROD	GTS-0341A	341A	1	1
4	SWITCH ROD	GTS-0341D	341D	1	1
5	RIGHT POINT RAIL	GTS-0306A	306A	1	1
6	LEFT POINT RAIL	GTS-0306B	306B	1	1
7	SWITCH PLATE	GTS-0508	SP300	8	8
8	SWITCH PLATE	GTS-0509	SP301	10	10
9	SWITCH PLATE	GTS-0504	SP123	2	2
10	SWITCH PLATE	GTS-0507	SP151	2	2
11	SWITCH PLATE	GTS-0507	SP157	2	2
12	SWITCH PLATE	GTS-0506	SP158	2	2
13	HOOK TWIN TIE PLATE	GTS-0503	LR27	8	8
14	HOOK TWIN TIE PLATE	GTS-0503	L27	8	8
15	HOOK TWIN TIE PLATE	GTS-0503	LR31	4	4
16	HOOK TWIN TIE PLATE	GTS-0503	L31	4	4
17	HEEL BLOCK (RIGHT HAND)	GTS-0358	16-6&22CP1-S	1	1
18	HEEL BLOCK (LEFT HAND)	GTS-0358	16-6&22CP2-S	1	1
19	BENT SPLICE BAR (4 HOLE) - 100 LB A.R.A.-A.	GTS-1204B	1204B	2	2
20	STRAIGHT SPLICE BAR (4 HOLE) - 100 LB A.R.A.-A.	GTS-1201	-	1	1
21	SPRING WASHER for 1" DIA. BOLT	GTS-1301	-	8	8
22	1" DIA. 8 NC OVAL NECK TRACK BOLT X 12" LG. C/W SQ. NUT	GTS-1319/9	-	8	8
23	PIPE THIMBLE - 1" DIA. X 2-1/32" LONG	GTS-0345B	B	2	2
24	1/4" COTTER PIN X 2" LG.	-	-	4	4
25	SPRING WASHER for 1 - 1/8" DIA BOLT	GTS-1301	-	4	4
26	1-1/8" DIA. 7 UNC HEX HD. BOLT X 5" LG. C/W HEX NUT	GTS-1311/2	-	4	4
27	ADJUSTABLE RAIL BRACE	GTS-0354	100M-7	12	12
28	7/8" DIA. - 9 UNC SQ. HD. BOLT X 3-3/4" LG.	GTS-1308/5	-	24	24
29	SPRING WASHER for 7/8" DIA. BOLT	GTS-1301	-	24	24
30	DOUBLE WASHER	GTS-0354	M-10	12	12
31	DOUBLE NUT	GTS-0354	M-9	12	12
32	PANDROL CLIP - PR 631A	GTS-1322	-	2	2
33	DOUBLE SPRING WASHER - TYPE FE6	GTS-1310	-	16	16
FROG					
34	#10 - 100 LB. SELF GUARDED MANGANESE STEEL FROG	R11C-150.1	-	1	1
FROG PAK					
35	HOOK TWIN TIE PLATE	GTS-0503	LR23	2	2
36	HOOK TWIN TIE PLATE	GTS-0503	L23	5	5
37	HOOK TWIN TIE PLATE	GTS-0503	LR27	4	4
38	HOOK TWIN TIE PLATE	GTS-0503	L27	3	3
39	HOOK TWIN TIE PLATE	GTS-0503	LR31	2	2
40	HOOK TWIN TIE PLATE	GTS-0503	L23J	2	2
41	HOOK TWIN TIE PLATE	GTS-0503	H23	7	7
42	HOOK TWIN TIE PLATE	GTS-0503	H27	5	5
43	STRAIGHT SPLICE BAR (4 HOLE) - 100 LB A.R.A.-A.	GTS-1201	-	1	1
TURNOUT PACKAGES					
TURNOUT NUMBER	DESCRIPTION	QUANTITY PER TURNOUT			
GTS-098A	FROG SGM NO. 10-100	1			
	SW-PK INS HO NO. 10A-100 LBS.	1			
	FR-PK SGM 10-100	1			
GTS-098B	FROG SGM NO. 10-100	1			
	SW-PK INS HO NO. 10B-100 LBS.	1			
	FR-PK SGM 10-100	1			
ABBREAVATIONS					
SW - PK - SWITCH PAK		SAM - SAMSON		SGM - SELF GUARD MANGANESE	
FR - PK - FROG PAK		HO - HAND OPERATED		RBM - RAIL BOUND MANGANESE	
GR - PK - GUARD RAIL PAK		SO - SPRING OPERATED			
INS - INSULATED		PO - POWER OPERATED			
NOTE:					
1 - For a new installation, necessary rail, bonded insulated joints, splice bars, bolts, washers, rail anchors, connecting rod, switch stand, targe and reflectorized target kit may be required in addition to the materials listed above					
BILL OF SWITCH TIES FOR HAND AND SPRING OPERATION			BILL OF SWITCH FOR POWER OPERATION		
TIES 180 X 230 mm (7" X 9")			TIES 180 X 230 mm (7" X 9")		
LENGTH			LENGTH		
METRES	FEET/INCHES	NO. OF PIECES	METRES	FEET/INCHES	NO. OF PIECES
2.8	9' - 0"	19	2.8	9' - 0"	14
3.1	10' - 0"	10	3.1	10' - 0"	6
3.4	11' - 0"	7	3.4	11' - 0"	5
3.7	12' - 0"	6	3.7	12' - 0"	5
4	13' - 0"	6	4	13' - 0"	4
4.3	14' - 0"	6	4.3	14' - 0"	4
4.6	15' - 0"	6	4.6	15' - 0"	5
4.9	16' - 0"	8	4.9	16' - 0"	5
TOTAL NUMBER OF TIES - 68			TOTAL NUMBER OF TIES - 48		