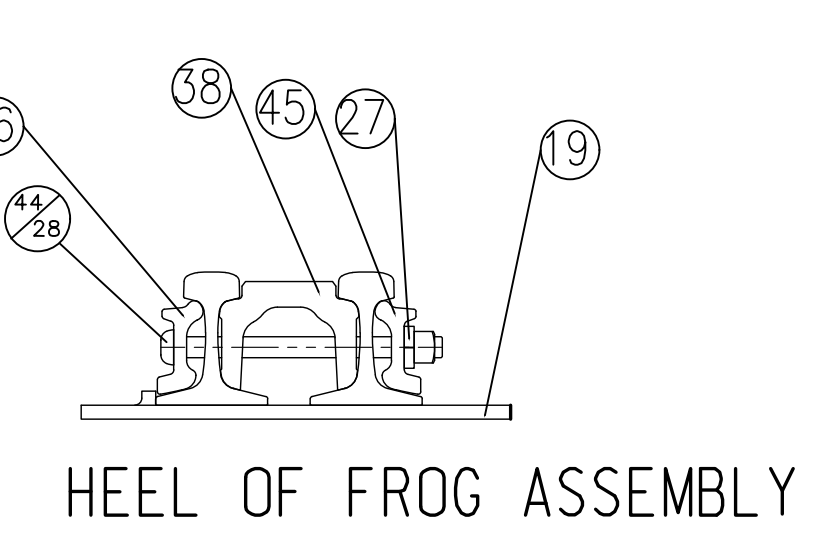
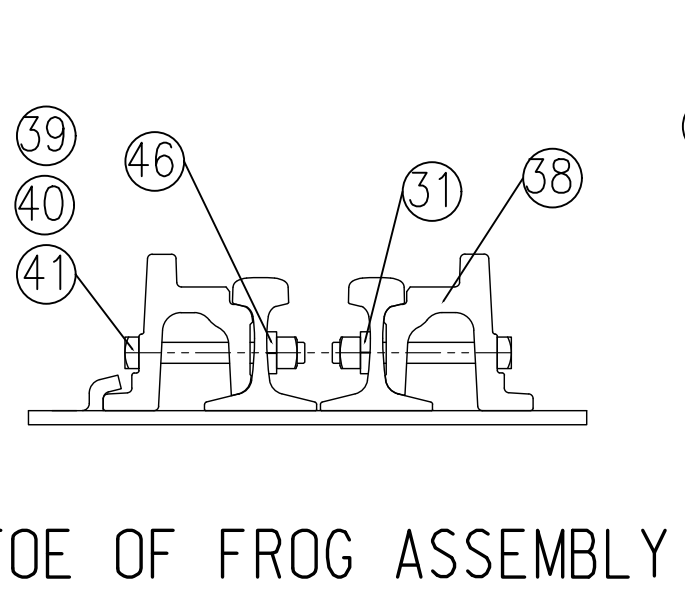
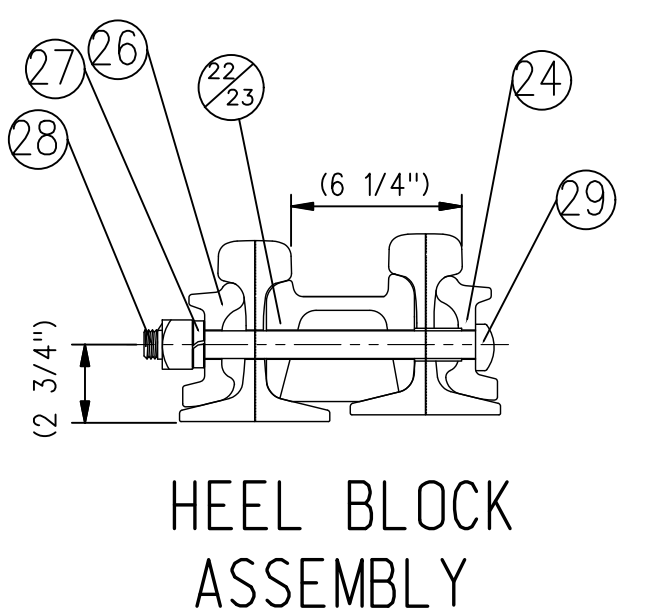
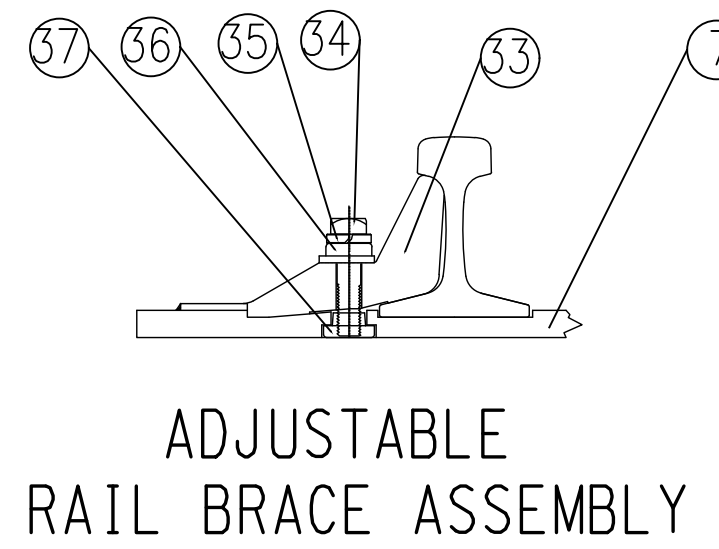
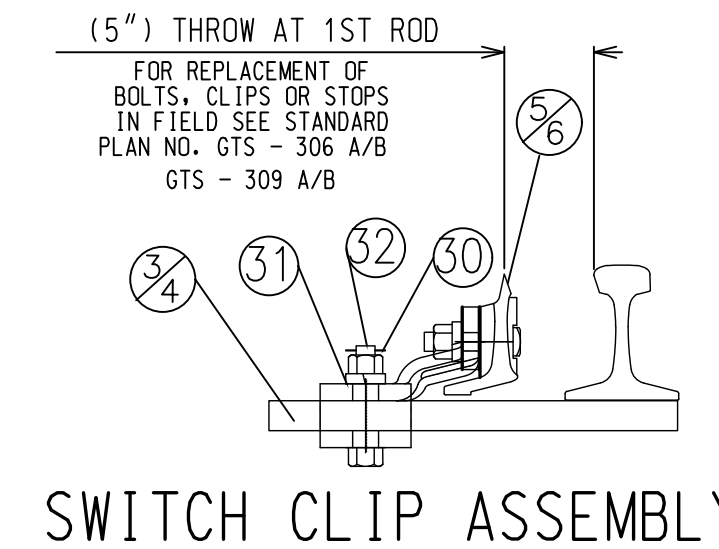
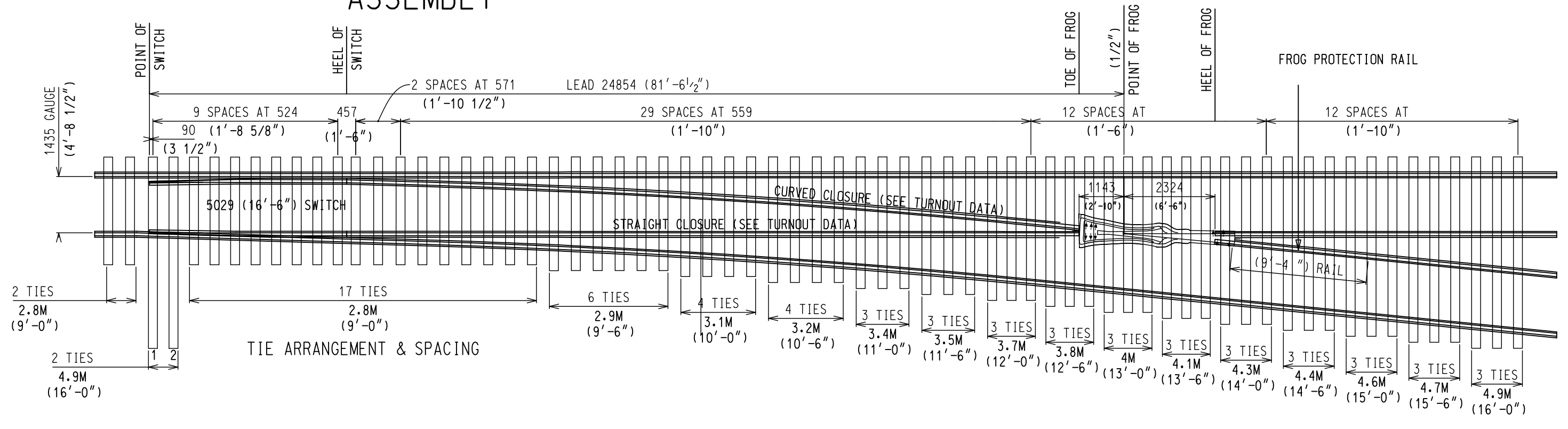
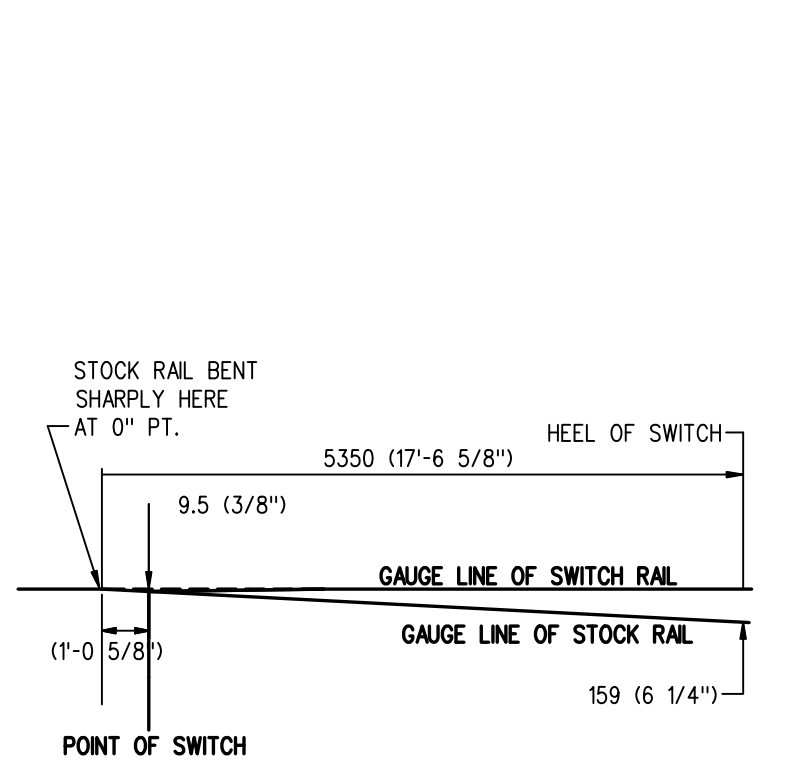


TURNOUT DATA:
 FROG NO -----10
 LENGTH OF SWITCH-----16'-6"
 HEEL SPREAD-----6 1/4"
 LEAD-----81'-6 1/2"
 PS TO H.F.-----88'-0 1/2"

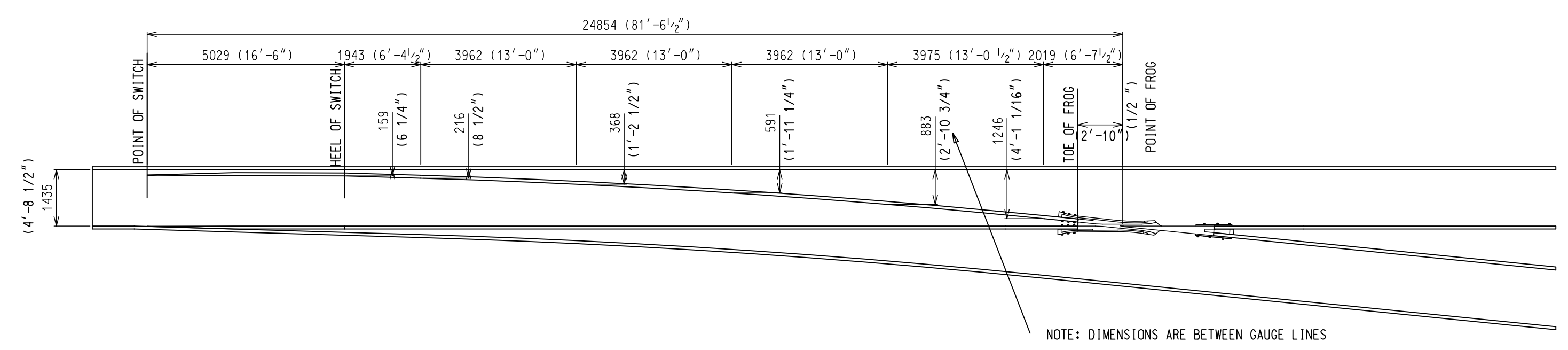


62'-2 1/2" STRAIGHT CLOSURE LENGTH
 MADE UP BY A 62'-2 1/2" RAIL OR:
 A 39' AND 23'-2 1/2" RAIL
 A 36' AND 26'-2 1/2" RAIL
 A 33' AND 29'-2 1/2" RAIL

62'-4 1/2" CURVE CLOSURE LENGTH
 MADE UP BY A 62'-4 1/2" RAIL OR:
 A 39' AND 23'-4 1/2" RAIL
 A 36' AND 26'-4 1/2" RAIL
 A 33' AND 29'-4 1/2" RAIL



STOCK RAIL BENDING DETAIL



NOTES
 1- FOR BILL OF MATERIAL, SEE REVERSE SIDE
 2- TURNOUT TO BE INSTALLED ACCORDING TO RM-3500 , LATEST ISSUE.
 3- FOR OTHER GENERAL ARRANGEMENT TURNOUT DRAWINGS, SEE INDEX DRAWING GTS-0
 4- WHEN REFERRING TO TURNOUTS, DRAWING NUMBER MUST BE STATED AS A OR B TO INDICATE RIGHT OR LEFT HAND TURNOUT.
 A: RIGHT HAND TURNOUT
 B: LEFT HAND TURNOUT
 5- FOR GENERAL ARRANGEMENT OF SWITCH STAND SEE DRAWING GTS-701

METRIC CONVERSION: 1 inch=25.4mm, 1 foot=304.8mm			
1	18/07/27	ADDED IMPERIAL TO METRIC CONVERSION NOTE	
No.	Date	Revision	By Approved
Standard		NO. 10 TURNOUT NON-INSULATED SAMSON POINTS S.G.M FROG-100LB. A.R.A.A. RAIL	
Drawn	MG	Checked	GGG
Approved	[Signature]		
Date		Plan Number	Rev
DEC 15, 2017		GTS-0102	1
REFERENCE: TS-102 A/B			Sheet 1 OF 1

BILL OF MATERIALS FOR GTS-0102

ITEM	DESCRIPTION	STANDARD DRAWING	MARK NO.	QUANTITY	
				A	B
SWITCH PACK					
1	1st. GAUGE PLATE	GTS-0520	G301	1	1
2	2nd. GAUGE PLATE	GTS-0520	G305R	1	-
	2nd. GAUGE PLATE	GTS-0520	G305L	-	1
3	SWITCH ROD	GTS-0340A	340A	1	1
4	SWITCH ROD	GTS-0340D	340D	1	1
5	RIGHT SAMSON POINT RAIL	GTS-0309A	309A	-	1
	RIGHT POINT RAIL	GTS-0306A	306A	1	-
6	LEFT SAMSON POINT RAIL	GTS-0309B	309B	1	-
	LEFT POINT RAIL	GTS-0306B	306B	-	1
7	SWITCH PLATE	GTS-0508	SP300	8	8
8	SWITCH PLATE	GTS-0509	SP301	10	10
9	SWITCH PLATE	GTS-0504	SP123	2	2
10	SWITCH PLATE	GTS-0507	SP151	2	2
11	SWITCH PLATE	GTS-0507	SP157	2	2
12	SWITCH PLATE	GTS-0506	SP158	2	2
13	HOOK TWIN TIE PLATE	GTS-0503	LR27	8	8
14	HOOK TWIN TIE PLATE	GTS-0503	L27	8	8
15	HOOK TWIN TIE PLATE	GTS-0503	LR31	4	4
16	HOOK TWIN TIE PLATE	GTS-0503	L31	4	4
17	HEEL BLOCK (RIGHT HAND)	GTS-0358	16-6&22CP1-S	1	1
18	HEEL BLOCK (LEFT HAND)	GTS-0358	16-6&22CP2-S	1	1
19	BENT SPLICE BAR (4 HOLE) - 100 LB A.R.A.-A.	GTS-1204B	1204B	2	2
20	STRAIGHT SPLICE BAR (4 HOLE) - 100 LB A.R.A.-A.	GTS-1201	-	1	1
21	SPRING WASHER for 1" DIA. BOLT	GTS-1301	-	24	24
22	1" DIA. 8 NC OVAL NECK TRACK BOLT X 12" LG. C/W SQ. NUT	GTS-1319/9	-	8	8
23	PIPE THIMBLE - 1" DIA. X 2-1/32" LONG	GTS-0345B	B	2	2
24	1/4" COTTER PIN X 2" LG.	-	-	4	4
25	SPRING WASHER for 1 - 1/8" DIA BOLT	GTS-1301	-	4	4
26	1-1/8" DIA. 7 UNC HEX HD. BOLT X 5" LG. C/W HEX NUT	GTS-1311/2	-	4	4
27	ADJUSTABLE RAIL BRACE	GTS-0354	100M-7	12	12
28	7/8" DIA. - 9 UNC SQ. HD. BOLT X 3-3/4" LG.	GTS-1308/5	-	24	24
29	SPRING WASHER for 7/8" DIA. BOLT	GTS-1301	-	24	24
30	DOUBLE WASHER	GTS-0354	M-10	12	12
31	DOUBLE NUT	GTS-0354	M-9	12	12
32	1" DIA. - 8 NC OVAL NECK TRACK BOLT X 5-5/8" LG. C/W SQ. NUT	GTS-1319/1	-	16	16
33	UNDERCUT STOCK RAIL - 100 LB. A.R.A.-A. 39' - 0" LG.	GTS-1105A	1105A	1	1
FROG					
34	#10 - 100 LB. SELF GUARDED MANGANESE STEEL FROG	R11C-150.1	-	1	1
FROG PACK					
35	HOOK TWIN TIE PLATE	GTS-0503	L23	5	5
36	HOOK TWIN TIE PLATE	GTS-0503	L27	3	3
37	HOOK TWIN TIE PLATE	GTS-0503	H23	7	7
38	HOOK TWIN TIE PLATE	GTS-0503	H27	5	5
39	HOOK TWIN TIE PLATE	GTS-0503	L23J	2	2
40	HOOK TWIN TIE PLATE	GTS-0503	LR23	2	2
41	HOOK TWIN TIE PLATE	GTS-0503	LR27	4	4
42	HOOK TWIN TIE PLATE	GTS-0503	LR31	2	2
43	1-1/8" DIA. 7 UNC SQ. HD. BOLT X 7-1/2" LG. C/W SQ. NUT	GTS-1309/33	-	2	2
44	1-1/8" DIA. 7 UNC SQ. HD. BOLT X 8-1/2" LG. C/W SQ. NUT	GTS-1309/34	-	2	2
45	1-1/8" DIA. 7 UNC SQ. HD. BOLT X 9-1/2" LG. C/W SQ. NUT	GTS-1309/36	-	2	2
46	SPRING WASHER for 1 - 1/8" DIA BOLT	GTS-1301	-	6	6
47	1" DIA. 8 NC OVAL NECK TRACK BOLT X 11" LG. C/W SQ. NUT	GTS-1319/7	-	1	1
48	1" DIA. 8 NC OVAL NECK TRACK BOLT X 12-1/2" LG. C/W SQ. NUT	GTS-1319/8	-	1	1
49	1" DIA. 8 NC OVAL NECK TRACK BOLT X 11-1/2" LG. C/W SQ. NUT	GTS-1319/10	-	1	1
50	SPRING WASHER for 1" DIA. BOLT	GTS-1301	-	3	3
51	TAIL WASHER (BEVELLED)	GTS-0836S	836S	4	4
52	SPLICE PLATE 3/8" THICK X 1' - 3" LG.	R11C-150.1	-	2	2
TURNOUT PACKAGES					
TURNOUT NUMBER	DESCRIPTION	QUANTITY PER TURNOUT			
GTS- 102A	FROG SGM NO. 10-100	1			
	SW-PK NON - INS SAMSON HO NO. 10A-100 LBS.	1			
	FR-PK SGM 10-100	1			
GTS- 102B	FROG SGM NO. 10-100	1			
	SW-PK NON - INS SAMSON HO NO. 10B-100 LBS.	1			
	FR-PK SGM 10-100	1			
ABBREAVATIONS					
SW - PK - SWITCH PAK		SAM - SAMSON	SGM - SELF GUARD MANGANESE		
FR - PK - FROG PAK		HO - HAND OPERATED	RBM - RAIL BOUND MANGANESE		
GR - PK - GUARD RAIL PAK		SO - SPRING OPERATED			
INS - INSULATED		PO - POWER OPERATED			
NOTE:					
1 - For a new installation, necessary rail, bonded insulated joints, splice bars, bolts, washers, rail anchors, connecting rod, switch stand, targe and reflectorized target kit may be required in addition to the materials listed above					
BILL OF SWITCH TIES FOR HAND AND SPRING OPERATION			BILL OF SWITCH FOR POWER OPERATION		
TIES 180 X 230 mm (7" X 9")			TIES 180 X 230 mm (7" X 9")		
LENGTH					
METRES	FEET/INCHES	NO. OF PIECES	METRES	FEET/INCHES	NO. OF PIECES
2.8	9' - 0"		2.8	9' - 0"	24
3.1	10' - 0"	10	3.1	10' - 0"	22
3.4	11' - 0"	7	3.4	11' - 0"	15
3.7	12' - 0"	6	3.7	12' - 0"	11
4	13' - 0"	6	4.0	13' - 0"	9
4.3	14' - 0"	6	4.3	14' - 0"	10
4.6	15' - 0"	6	4.6	15' - 0"	9
4.9	16' - 0"	8	4.9	16' - 0"	8
			5.5	18' - 0"	2
TOTAL NUMBER OF TIES - 68			TOTAL NUMBER OF TIES - 110		