

TURNOUT DATA:
 FROG NO -----10
 LENGTH OF SWITCH-----16'-6"
 HEEL SPREAD-----6 1/4"
 LEAD-----81'-6 1/2"
 PS TO H.F.-----88'-0 1/2"

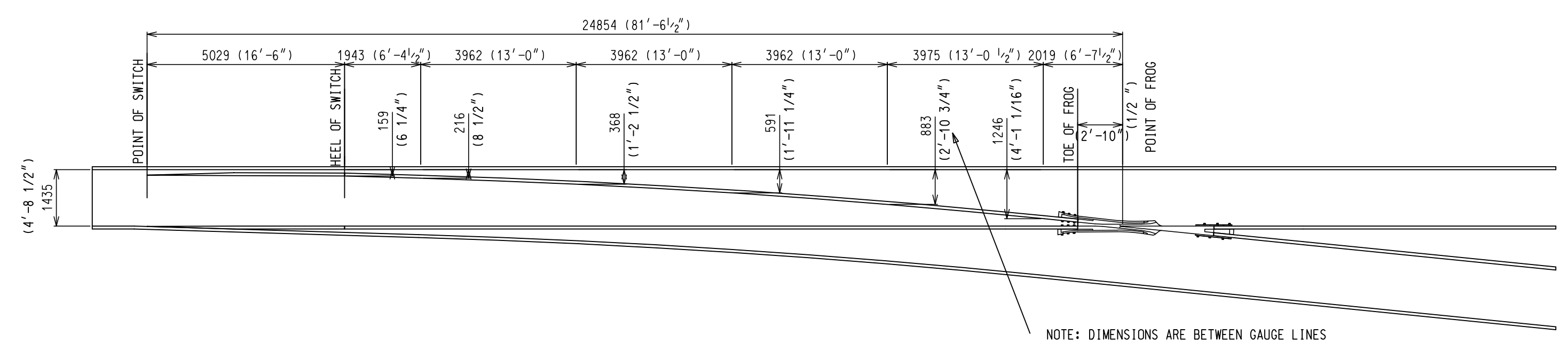
62'-2 1/2" STRAIGHT CLOSURE LENGTH
 MADE UP BY A 62'-2 1/2" RAIL OR:
 A 39' AND 23'-2 1/2" RAIL
 A 36' AND 26'-2 1/2" RAIL
 A 33' AND 29'-2 1/2" RAIL

62'-4 1/2" CURVE CLOSURE LENGTH
 MADE UP BY A 62'-4 1/2" RAIL OR:
 A 39' AND 23'-4 1/2" RAIL
 A 36' AND 26'-4 1/2" RAIL
 A 33' AND 29'-4 1/2" RAIL

NOTES

- TURNOUT TO BE INSTALLED AND MAINTAINED IN ACCORDING WITH THE LATEST ISSUE OF: RM.3500 TURNOUTS RM.3502 POWER, SPRING AND INSTALLED SWITCH RM.3506 SWITCH STAND, SWITCH LAMPS AND TARGETS, WHERE APPLICABLE
- WHEN REFERRING TO MANUAL TURNOUTS, DRAWING NUMBER MUST BE STATED AS A OR B: A-RIGHT HAND TURNOUT B-LEFT HAND TURNOUT
- FOR GENERAL ARRANGEMENT OF SWITCH & CONNECTING ROD SEE GTS-0701 AND GTS-0702
- FOR THE VARIOUS STANDARD TURNOUT COMBINATIONS SEE INDEX SHEET GTS-0
- TURNOUT GEOMETRY, FOR TABLES OF DIMENSIONS AND OFFSETS SEE GTS-1

STOCK RAIL BENDING DETAIL



METRIC CONVERSION: 1 inch=25.4mm, 1 foot=304.8mm		
No.	Date	Revision
1	18/07/27	ADDED IMPERIAL TO METRIC CONVERSION NOTE
Standard		By Approved
NO. 10 TURNOUT-16'-6" POINTS INSULATED- SAMSON POINTS S.G.M FROG-100LB. A.R.A.A. RAIL		
Drawn	Checked	Approved
MG	GGG	VP Engineering & Asset Management
Date	Plan Number	Rev
DEC 15, 2017	GTS-0106	1
REFERENCE: TS-106 A/B		Sheet 1 OF 1

BILL OF MATERIALS FOR GTS-0106

ITEM	DESCRIPTION	STANDARD DRAWING	MARK NO.	QUANTITY																																																																							
				A	B																																																																						
SWITCH PACK																																																																											
1	1st. GAUGE PLATE C/W INSULATION PLATE 100/132	GTS-0521	GP60/GP60	1	1																																																																						
2	2nd. GAUGE PLATE C/W INSULATION PLATE 100/132	GTS-0521	GP65/GP61	1	-																																																																						
	2nd. GAUGE PLATE C/W INSULATION PLATE 100/132	GTS-0521	GP61/GP62	-	1																																																																						
3	SWITCH ROD	GTS-0341A	341A	1	1																																																																						
4	SWITCH ROD	GTS-0341D	341D	1	1																																																																						
5	RIGHT SAMSON POINT RAIL	GTS-0309A	309A	-	1																																																																						
	RIGHT POINT RAIL	GTS-0306A	306A	1	-																																																																						
6	LEFT SAMSON POINT RAIL	GTS-0309B	309B	1	-																																																																						
	LEFT POINT RAIL	GTS-0306B	306B	-	1																																																																						
7	SWITCH PLATE	GTS-0508	SP300	8	8																																																																						
8	SWITCH PLATE	GTS-0509	SP301	10	10																																																																						
9	SWITCH PLATE	GTS-0504	SP123	2	2																																																																						
10	SWITCH PLATE	GTS-0507	SP151	2	2																																																																						
11	SWITCH PLATE	GTS-0507	SP157	2	2																																																																						
12	SWITCH PLATE	GTS-0506	SP158	2	2																																																																						
13	HOOK TWIN TIE PLATE	GTS-0503	LR27	8	8																																																																						
14	HOOK TWIN TIE PLATE	GTS-0503	L27	8	8																																																																						
15	HOOK TWIN TIE PLATE	GTS-0503	LR31	4	4																																																																						
16	HOOK TWIN TIE PLATE	GTS-0503	L31	3	3																																																																						
17	HOOK TWIN TIE PLATE	GTS-0503	L31J	1	1																																																																						
18	HEEL BLOCK (RIGHT HAND)	GTS-0358	16-6&22CP1-S	1	1																																																																						
19	HEEL BLOCK (LEFT HAND)	GTS-0358	16-6&22CP2-S	1	1																																																																						
20	BENT SPLICE BAR (4 HOLE) - 100 LB A.R.A.-A.	GTS-1204B	1204B	2	2																																																																						
21	STRAIGHT SPLICE BAR (4 HOLE) - 100 LB A.R.A.-A.	GTS-1201	-	1	1																																																																						
22	SPRING WASHER for 1" DIA. BOLT	GTS-1301	-	8	8																																																																						
23	1" DIA. 8 NC OVAL NECK TRACK BOLT X 12" LG. C/W SQ. NUT	GTS-1319/9	-	8	8																																																																						
24	PIPE THIMBLE - 1" DIA. X 2-1/32" LONG	GTS-0345B	B	2	2																																																																						
25	1/4" COTTER PIN X 2" LG.	-	-	4	4																																																																						
26	SPRING WASHER for 1 - 1/8" DIA BOLT	GTS-1301	-	4	4																																																																						
27	1-1/8" DIA. 7 UNC HEX HD. BOLT X 5" LG. C/W HEX NUT	GTS-1311/2	-	4	4																																																																						
28	ADJUSTABLE RAIL BRACE	GTS-0354	100M-7	12	12																																																																						
29	7/8" DIA. - 9 UNC SQ. HD. BOLT X 3-3/4" LG.	GTS-1308/5	-	24	24																																																																						
30	SPRING WASHER for 7/8" DIA. BOLT	GTS-1301	-	24	24																																																																						
31	DOUBLE WASHER	GTS-0354	M-10	12	12																																																																						
32	DOUBLE NUT	GTS-0354	M-9	12	12																																																																						
33	UNDERCUT STOCK RAIL - 100 LB. A.R.A.-A. 39' - 0" LG.	GTS-1105A	1105A	1	1																																																																						
34	PANDROL CLIP - PR 631A	GTS-1322	-	2	2																																																																						
35	DOUBLE SPRING WASHER - TYPE FE6	GTS-1310	-	16	16																																																																						
FROG																																																																											
36	#10 - 100 LB. SELF GUARDED MANGANESE STEEL FROG	R11C-150.1	-	1	-																																																																						
FROG PACK																																																																											
37	HOOK TWIN TIE PLATE	GTS-0503	LR23	2	2																																																																						
38	HOOK TWIN TIE PLATE	GTS-0543	L23	5	5																																																																						
39	HOOK TWIN TIE PLATE	GTS-0544	LR27	4	4																																																																						
40	HOOK TWIN TIE PLATE	GTS-0545	L27	3	3																																																																						
41	HOOK TWIN TIE PLATE	GTS-0503	LR31	2	2																																																																						
42	HOOK TWIN TIE PLATE	GTS-0503	LR23J	2	2																																																																						
43	HOOK TWIN TIE PLATE	GTS-0503	H23	7	7																																																																						
44	HOOK TWIN TIE PLATE	GTS-0503	H27	5	5																																																																						
45	STRAIGHT SPLICE BAR (4 HOLE) - 100 LB A.R.A.-A.	GTS-1201	-	1	1																																																																						
TURNOUT PACKAGES																																																																											
TURNOUT NUMBER	DESCRIPTION	QUANTITY PER TURNOUT																																																																									
GTS- 106A	FROG SGM 10-100	1																																																																									
	SW-PK INS SAMSON HO NO. 10A-100 LBS.	1																																																																									
	FR-PK SGM 10-100	1																																																																									
GTS- 106B	FROG SGM 10-100	1																																																																									
	SW-PK INS SAMSON HO NO. 10B-100 LBS.	1																																																																									
	FR-PK SGM 10-100	1																																																																									
ABBREAVATIONS																																																																											
SW - PK - SWITCH PAK		SAM - SAMSON		SGM - SELF GUARD MANGANESE																																																																							
FR - PK - FROG PAK		HO - HAND OPERATED		RBM - RAIL BOUND MANGANESE																																																																							
GR - PK - GUARD RAIL PAK		SO - SPRING OPERATED																																																																									
INS - INSULATED		PO - POWER OPERATED																																																																									
NOTE: 1 - For a new installation, necessary rail, bonded insulated joints, splice bars, bolts, washers, rail anchors, connecting rod, switch stand, targe and reflectorized target kit may be required in addition to the materials listed above																																																																											
BILL OF SWITCH TIES FOR HAND AND SPRING OPERATION			BILL OF SWITCH FOR POWER OPERATION																																																																								
TIES 180 X 230 mm (7" X 9")			TIES 180 X 230 mm (7" X 9")																																																																								
<table border="1"> <thead> <tr> <th colspan="2">LENGTH</th> <th rowspan="2">NO. OF PIECES</th> <th colspan="2">LENGTH</th> <th rowspan="2">NO. OF PIECES</th> </tr> <tr> <th>METRES</th> <th>FEET/INCHES</th> <th>METRES</th> <th>FEET/INCHES</th> </tr> </thead> <tbody> <tr> <td>2.8</td> <td>9' - 0"</td> <td>19</td> <td>2.8</td> <td>9' - 0"</td> <td>24</td> </tr> <tr> <td>3.1</td> <td>10' - 0"</td> <td>10</td> <td>3.1</td> <td>10' - 0"</td> <td>22</td> </tr> <tr> <td>3.4</td> <td>11' - 0"</td> <td>7</td> <td>3.4</td> <td>11' - 0"</td> <td>15</td> </tr> <tr> <td>3.7</td> <td>12' - 0"</td> <td>6</td> <td>3.7</td> <td>12' - 0"</td> <td>11</td> </tr> <tr> <td>4</td> <td>13' - 0"</td> <td>6</td> <td>4</td> <td>13' - 0"</td> <td>9</td> </tr> <tr> <td>4.3</td> <td>14' - 0"</td> <td>6</td> <td>4.3</td> <td>14' - 0"</td> <td>10</td> </tr> <tr> <td>4.6</td> <td>15' - 0"</td> <td>6</td> <td>4.6</td> <td>15' - 0"</td> <td>9</td> </tr> <tr> <td>4.9</td> <td>16' - 0"</td> <td>8</td> <td>4.9</td> <td>16' - 0"</td> <td>8</td> </tr> <tr> <td></td> <td></td> <td></td> <td>5.5</td> <td>18' - 0"</td> <td>2</td> </tr> <tr> <td colspan="3">TOTAL NUMBER OF TIES - 68</td> <td colspan="3">TOTAL NUMBER OF TIES - 110</td> </tr> </tbody> </table>						LENGTH		NO. OF PIECES	LENGTH		NO. OF PIECES	METRES	FEET/INCHES	METRES	FEET/INCHES	2.8	9' - 0"	19	2.8	9' - 0"	24	3.1	10' - 0"	10	3.1	10' - 0"	22	3.4	11' - 0"	7	3.4	11' - 0"	15	3.7	12' - 0"	6	3.7	12' - 0"	11	4	13' - 0"	6	4	13' - 0"	9	4.3	14' - 0"	6	4.3	14' - 0"	10	4.6	15' - 0"	6	4.6	15' - 0"	9	4.9	16' - 0"	8	4.9	16' - 0"	8				5.5	18' - 0"	2	TOTAL NUMBER OF TIES - 68			TOTAL NUMBER OF TIES - 110		
LENGTH		NO. OF PIECES	LENGTH		NO. OF PIECES																																																																						
METRES	FEET/INCHES		METRES	FEET/INCHES																																																																							
2.8	9' - 0"	19	2.8	9' - 0"	24																																																																						
3.1	10' - 0"	10	3.1	10' - 0"	22																																																																						
3.4	11' - 0"	7	3.4	11' - 0"	15																																																																						
3.7	12' - 0"	6	3.7	12' - 0"	11																																																																						
4	13' - 0"	6	4	13' - 0"	9																																																																						
4.3	14' - 0"	6	4.3	14' - 0"	10																																																																						
4.6	15' - 0"	6	4.6	15' - 0"	9																																																																						
4.9	16' - 0"	8	4.9	16' - 0"	8																																																																						
			5.5	18' - 0"	2																																																																						
TOTAL NUMBER OF TIES - 68			TOTAL NUMBER OF TIES - 110																																																																								