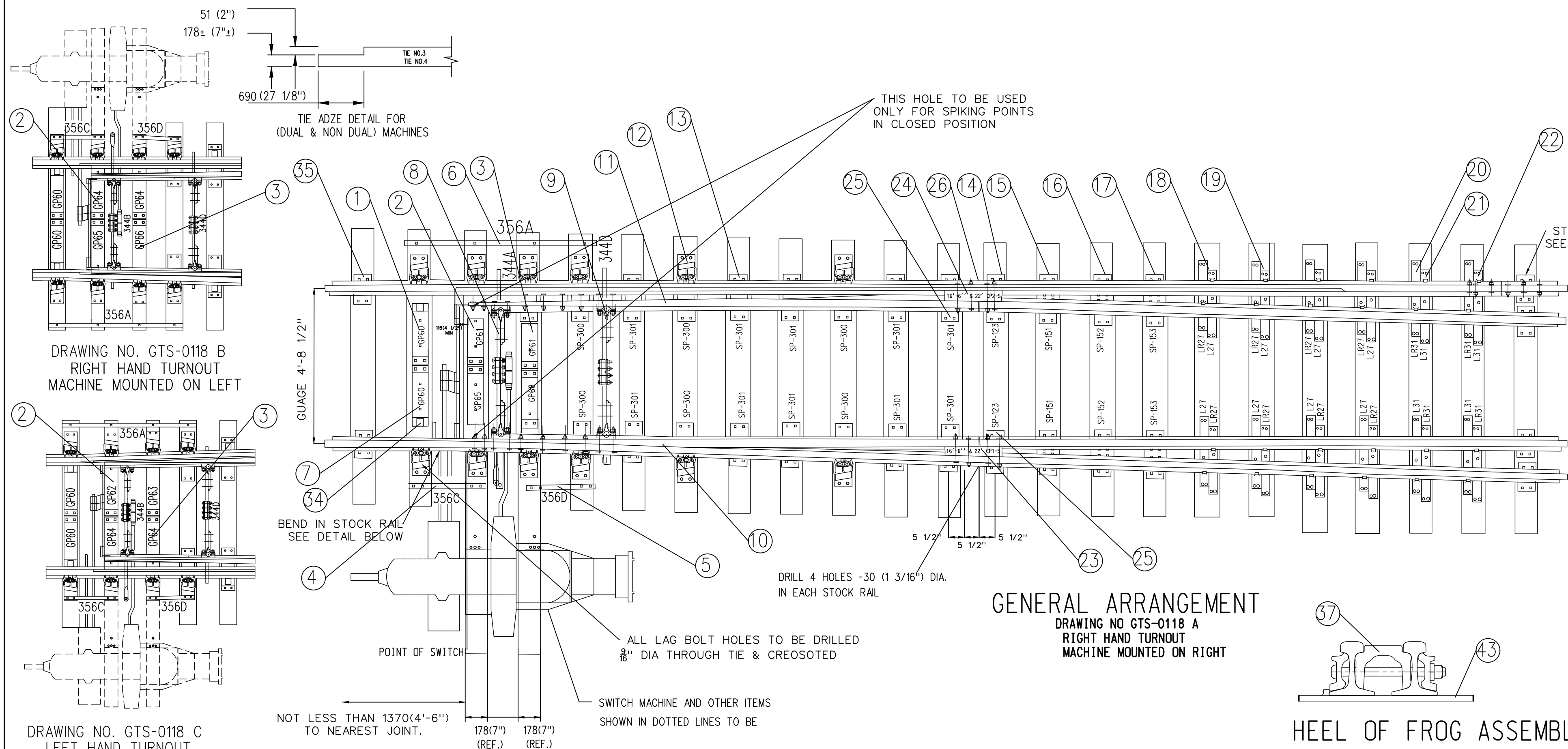


NOTES: THIS PLAN IS PROVIDED FOR MAINTENANCE PURPOSES ONLY. FOR CURRENT STANDARDS NEW TURNOUTS PLEASE CONSULT GTS-0000

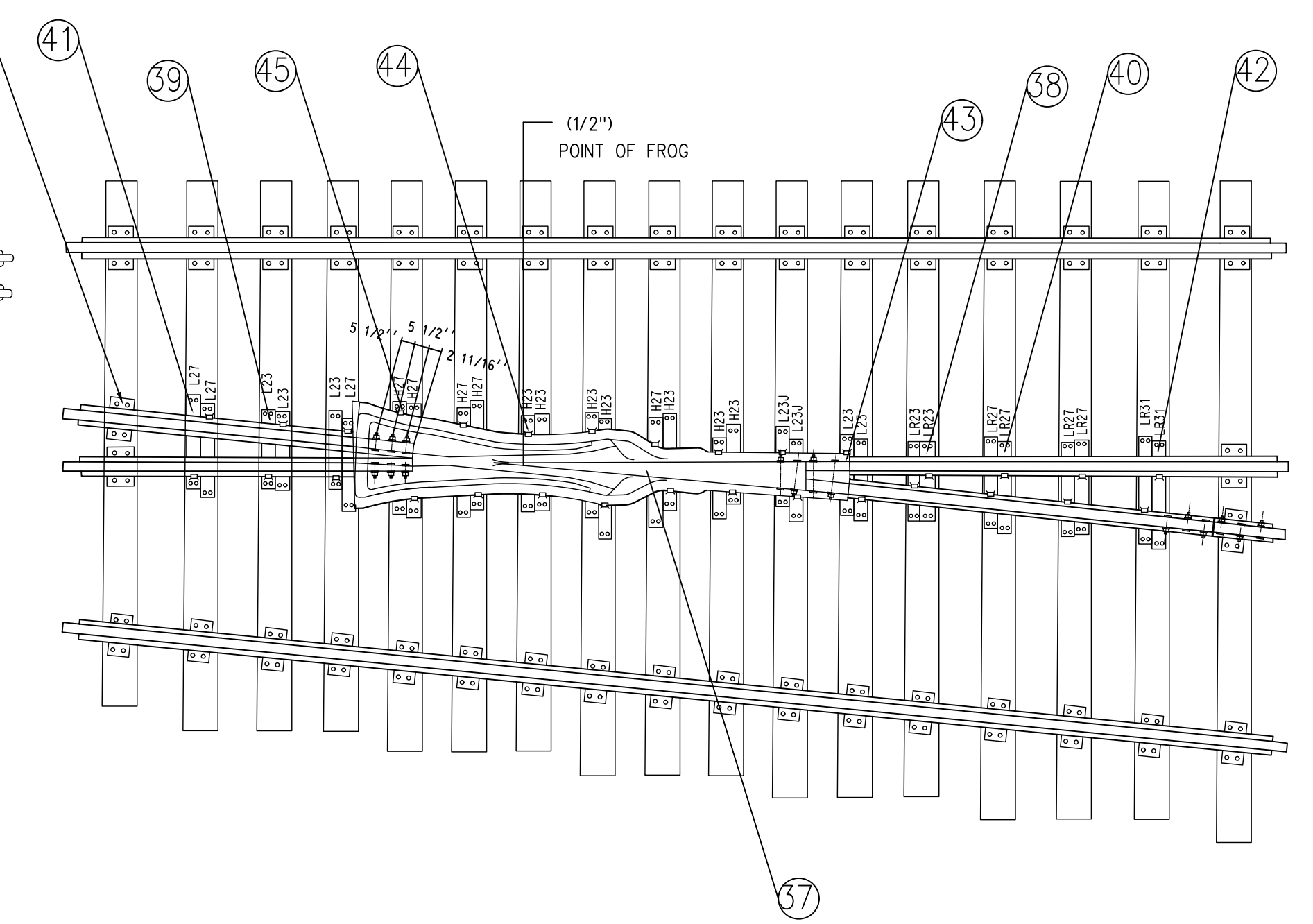


GENERAL ARRANGEMENT
DRAWING NO. GTS-0118 A
RIGHT HAND TURNOUT
MACHINE MOUNTED ON RIGHT

STANDARD TIE PLATES
SEE GTS-501

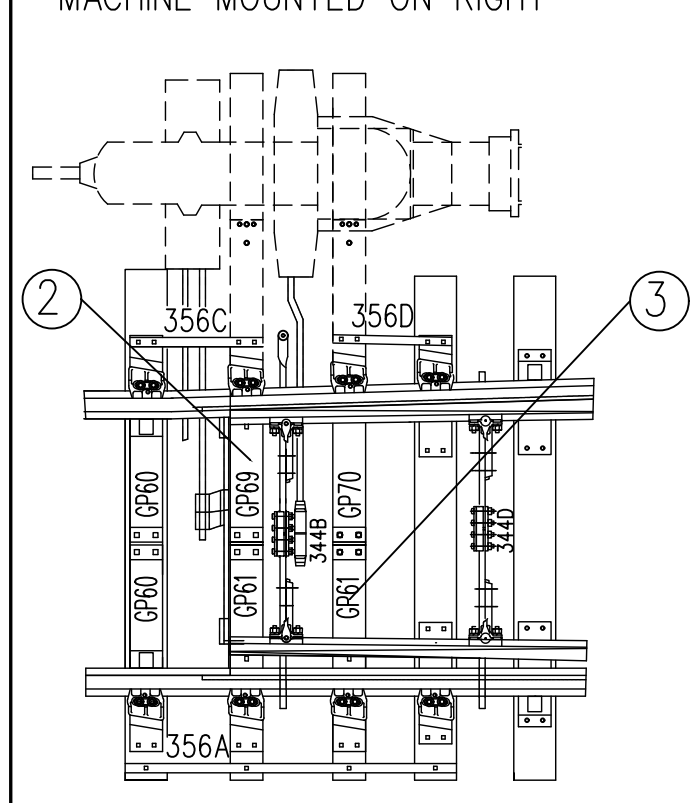
STANDARD TIE PLATES
SEE GTS-501

INSULATED JOINT
SEE GTS-1207

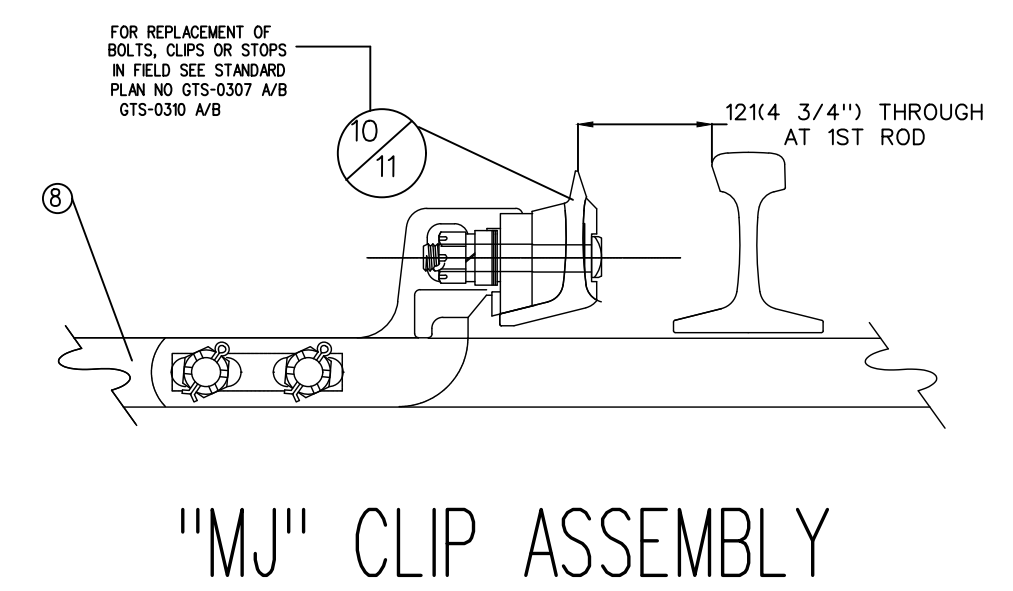


HEEL OF FROG ASSEMBLY NOTES

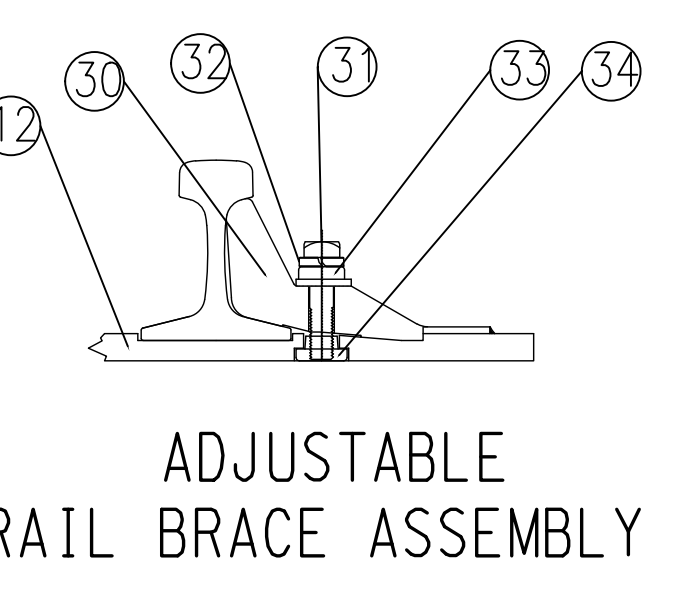
- TURNOUT TO BE INSTALLED AND MAINTAINED IN ACCORDING WITH THE LATEST ISSUE OF:
RM.3500 TURNOUTS
RM.3502 POWER, SPRING AND INSTALLED SWITCH
RM.3506 SWITCH STAND, SWITCH LAMPS AND TARGETS, WHERE APPLICABLE
- WHEN REFERRING TO POWER OPERATED TURNOUTS, DRAWING NUMBER MUST BE STATED AS A, B, C OR D:
A-RIGHT HAND TURNOUT P.O. MACHINE ON RIGHT
B-RIGHT HAND TURNOUT P.O. MACHINE ON LEFT
C-LEFT HAND TURNOUT P.O. MACHINE ON RIGHT
D-LEFT HAND TURNOUT P.O. MACHINE ON LEFT
- FOR THE VARIOUS STANDARD TURNOUT COMBINATIONS SEE INDEX SHEET GTS-0
- TURNOUT GEOMETRY, FOR TABLES OF DIMENSIONS AND OFFSETS SEE GTS-2



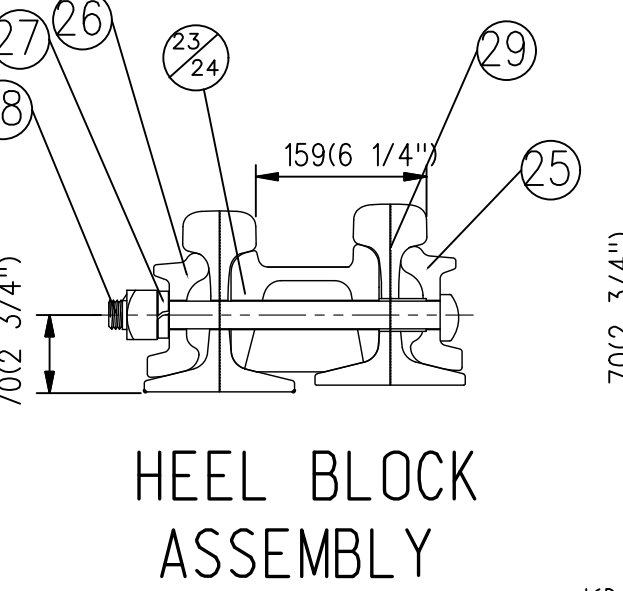
DRAWING NO. GTS-0118 C
LEFT HAND TURNOUT
MACHINE MOUNTED ON RIGHT



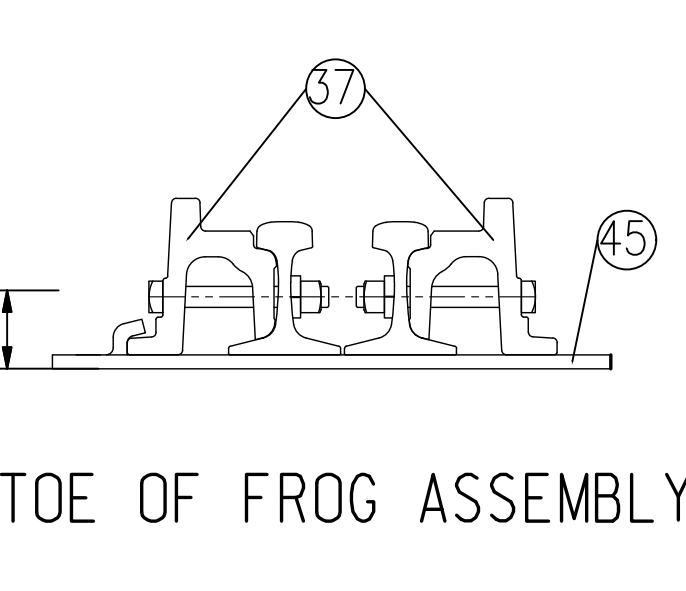
"M" CLIP ASSEMBLY



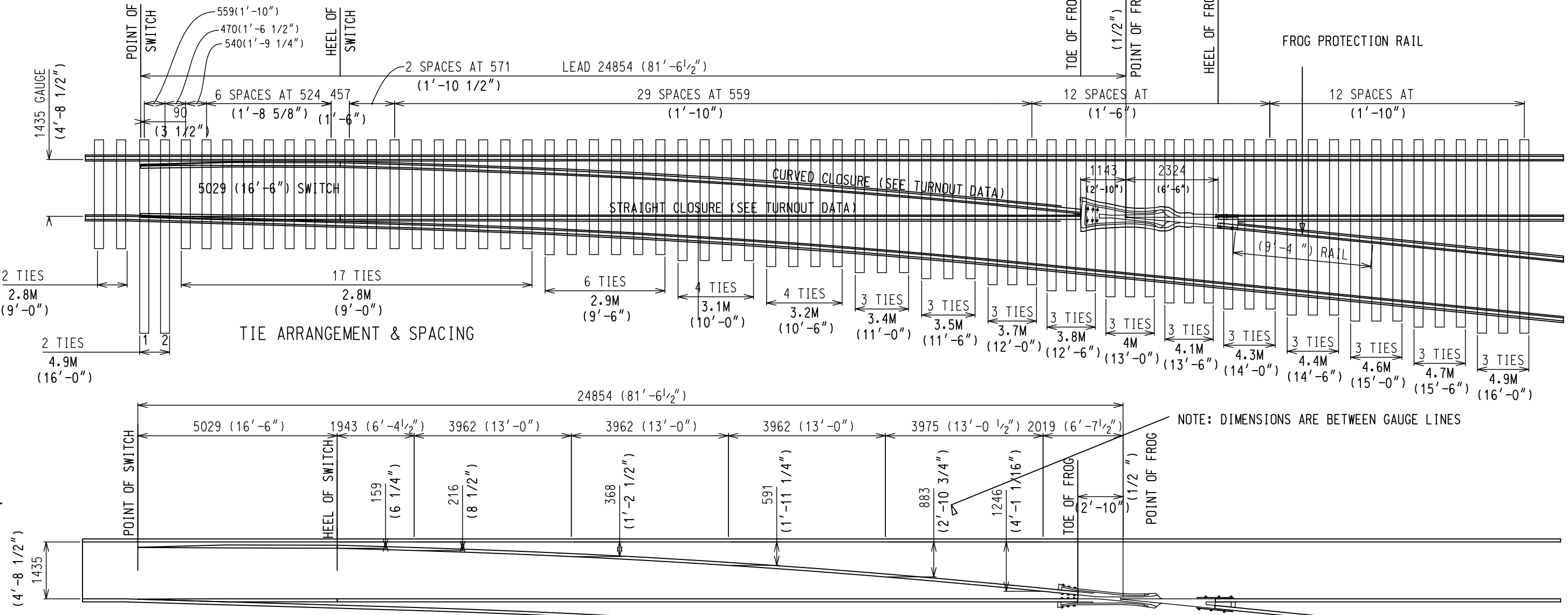
ADJUSTABLE
RAIL BRACE ASSEMBLY



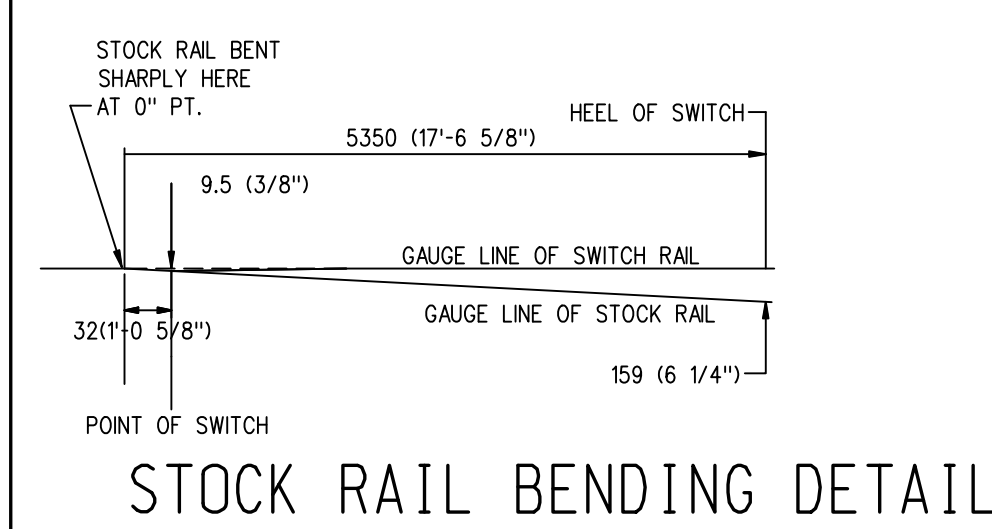
HEEL BLOCK
ASSEMBLY



TOE OF FROG ASSEMBLY



TIE ARRANGEMENT & SPACING



STOCK RAIL BENDING DETAIL

TURNOUT DATA:
FROG NO -----10
LENGTH OF SWITCH-----16'-6"
HEEL SPREAD-----6 1/4"
LEAD-----81'-6 1/2"
PS TO H.F.-----88'-0 1/2"

62'-2 1/2" STRAIGHT CLOSURE LENGTH
MADE UP BY A 62'-2 1/2" RAIL OR:
A 39' AND 23'-2 1/2" RAIL
A 36' AND 26'-2 1/2" RAIL
A 33' AND 29'-2 1/2" RAIL

62'-4 1/2" CURVE CLOSURE LENGTH
MADE UP BY A 62'-4 1/2" RAIL OR:
A 39' AND 23'-4 1/2" RAIL
A 36' AND 26'-4 1/2" RAIL
A 33' AND 29'-4 1/2" RAIL

METRIC CONVERSION: 1 inch=25.4mm, 1 foot=304.8mm			
1	18/07/27	ADDED IMPERIAL TO METRIC CONVERSION NOTE	
No.	Date	Revision	By Approved
Standard		NO. 10 TURNOUT-16" POINTS POWER OPERATED- SAMSON POINT S.G.M. FROG 100LB. A.R.A.A. RAIL	
Drawn	MG	Checked	GGG
		Approved	<i>[Signature]</i> V.P. Engineering & Asset Management
Date	DEC 15, 2017	Plan Number	GTS-0118 Rev 1
REFERENCE: TS-118 A/D		Sheet 1 OF 1	

BILL OF MATERIALS FOR GTS-0118

ITEM	DESCRIPTION	MARK NUMBER	STANDARD DRAWING	QUANTITY			
				A	B	C	D
SWITCH PACK							
1	1st. GAUGE PLATE C/W INSULATION PLATE 100/132	GP60/GP60	GTS-0521	1	1	1	1
2	2nd. GAUGE PLATE C/W INSULATION PLATE 100/132	GP67/GP61	GTS-0521	1	-	-	-
	2nd. GAUGE PLATE C/W INSULATION PLATE 100/132	GP65/GP64	GTS-0521	-	1	-	-
	2nd. GAUGE PLATE C/W INSULATION PLATE 100/132	GP64/GP62	GTS-0521	-	-	1	-
	2nd. GAUGE PLATE C/W INSULATION PLATE 100/132	GP61/GP69	GTS-0521	-	-	-	1
3	3rd. GAUGE PLATE C/W INSULATION PLATE 100/132	GP68/GP61	GTS-0521	1	-	-	-
	3rd. GAUGE PLATE C/W INSULATION PLATE 100/132	GP66/GP64	GTS-0521	-	1	-	-
	3rd. GAUGE PLATE C/W INSULATION PLATE 100/132	GP64/GP63	GTS-0521	-	-	1	-
	3rd. GAUGE PLATE C/W INSULATION PLATE 100/132	GP61/GP70	GTS-0521	-	-	-	1
4	MILD STEEL STRAP	356C	GTS-0356C	1	1	1	1
5	MILD STEEL STRAP	356D	GTS-0356D	1	1	1	1
6	MILD STEEL STRAP	356A	GTS-0356A	1	1	1	1
7	RAIL CLIP	M-180	M-180	30	30	30	30
8	SWITCH ROD	344A	GTS-0344A	1	1	1	1
9	SWITCH ROD	344F	GTS-0344F	1	1	1	1
10	RIGHT SAMSON POINT RAIL	310A	GTS-0310A	-	-	1	1
	RIGHT POINT RAIL	307A	GTS-0307A	1	1	-	-
11	LEFT SAMSON POINT RAIL	310B	GTS-0310B	1	1	-	-
	LEFT POINT RAIL	307B	GTS-0307B	-	-	1	1
12	SWITCH PLATE	SP300	GTS-0508	6	6	6	6
13	SWITCH PLATE	SP301	GTS-0509	10	10	10	10
14	SWITCH PLATE	SP123	GTS-0504	2	2	2	2
15	SWITCH PLATE	SP151	GTS-0507	2	2	2	2
16	SWITCH PLATE	SP157	GTS-0507	2	2	2	2
17	SWITCH PLATE	SP158	GTS-0506	2	2	2	2
18	HOOK TWIN TIE PLATE	LR27	GTS-0503	8	8	8	8
19	HOOK TWIN TIE PLATE	L27	GTS-0503	8	8	8	8
20	HOOK TWIN TIE PLATE	LR31	GTS-0503	4	4	4	4
21	HOOK TWIN TIE PLATE	L31	GTS-0503	3	3	3	3
22	HOOK TWIN TIE PLATE	L31J	GTS-0503	1	1	1	1
23	HEEL BLOCK (RIGHT HAND)	16-6&22CP1-S	GTS-0358	1	1	1	1
24	HEEL BLOCK (LEFT HAND)	16-6&22CP2-S	GTS-0358	1	1	1	1
25	BENT SPLICE BAR (4 HOLE) - 100 LB. A.R.A.-A.	1204B	GTS-1204B	2	2	2	2
26	STRAIGHT SPLICE BAR (4 HOLE) - 100 LB. A.R.A.-A.	-	GTS-1201	1	1	1	1
27	SPRING WASHER for 1" DIA. BOLT	-	GTS-1301	8	8	8	8
28	1" DIA. - 8 NC OVAL NECK TRACK BOLT X 12" LG. C/W SQ. NUT	-	GTS-1319/9	8	8	8	8
29	PIPE THIMBLE - 1" DIA. X 2-1/32" LONG	B	GTS-0345B	2	2	2	2
30	ADJUSTABLE RAIL BRACE	100M-7	GTS-0354	12	12	12	12
31	7/8" DIA. - 9 UNC SQ. HD. BOLT X 3-3/4" LG.	-	GTS-1308/5	24	24	24	24
32	SPRING WASHER for 7/8" DIA. BOLT	-	GTS-1301	24	24	24	24
33	DOUBLE WASHER	M-10	GTS-0354	12	12	12	12
34	DOUBLE NUT	M-9	GTS-0354	12	12	12	12
35	UNDERCUT STOCK RAIL - 100 LB. A.R.A.-A. 39'- 0" LG.	1105A	GTS-1105A	1	1	1	1
36	PANDROL CLIP - e2055	e2055	GTS-1322	2	2	2	2
SWITCH PACK continued							
FROG							
37	#10-100 LB. SELF GUARDED MANGANESE STEEL FROG	-	R11C-150.1	1	1	1	1
FROG PACK							
38	HOOK TWIN TIE PLATE	LR23	GTS-0503	2	2	2	2
39	HOOK TWIN TIE PLATE	L23	GTS-0503	5	5	5	5
40	HOOK TWIN TIE PLATE	LR27	GTS-0503	4	4	4	4
41	HOOK TWIN TIE PLATE	L27	GTS-0503	3	3	3	3
42	HOOK TWIN TIE PLATE	LR31	GTS-0503	2	2	2	2
43	HOOK TWIN TIE PLATE	L23J	GTS-0503	2	2	2	2
44	HOOK TWIN TIE PLATE	H23	GTS-0503	7	7	7	7
45	HOOK TWIN TIE PLATE	H27	GTS-0503	5	5	5	5
	STRAIGHT SPLICE BAR (4 HOLE) - 100 LB. A.R.A.-A.	-	GTS-1201	1	1	1	1
SWITCH PACKS							
	#10 Power Operated - Right Hand Turnout - Machine on Right						
	#10 Power Operated - Right Hand Turnout - Machine on Left						
	#10 Power Operated - Left Hand Turnout - Machine on Right						
	#10 Power Operated - Left Hand Turnout - Machine on Left						
FROG PACKS							
	#10 SGM Frog - 100 lbs						
SWITCH TIES							
	9 ft (2.8 m)			19	19	19	19
	9.5 ft (2.5 m)			6	6	6	6
	10 ft (3.1 m)			4	4	4	4
	10.5 ft (3.2 m)			4	4	4	4
	11 ft (3.4 m)			3	3	3	3
	11.5 ft (3.5 m)			3	3	3	3
	12 ft (3.7 m)			5	5	5	5
	12.5 ft (3.8 m)			3	3	3	3
	13 ft (4.0 m)			3	3	3	3
	13.5 ft (4.1 m)			3	3	3	3
	14 ft (4.3 m)			3	3	3	3
	14.5 ft (4.4 m)			3	3	3	3
	15 ft (4.6 m)			3	3	3	3
	15.5 ft (4.7 m)			3	3	3	3
	16 ft (4.9 m)			3	3	3	3