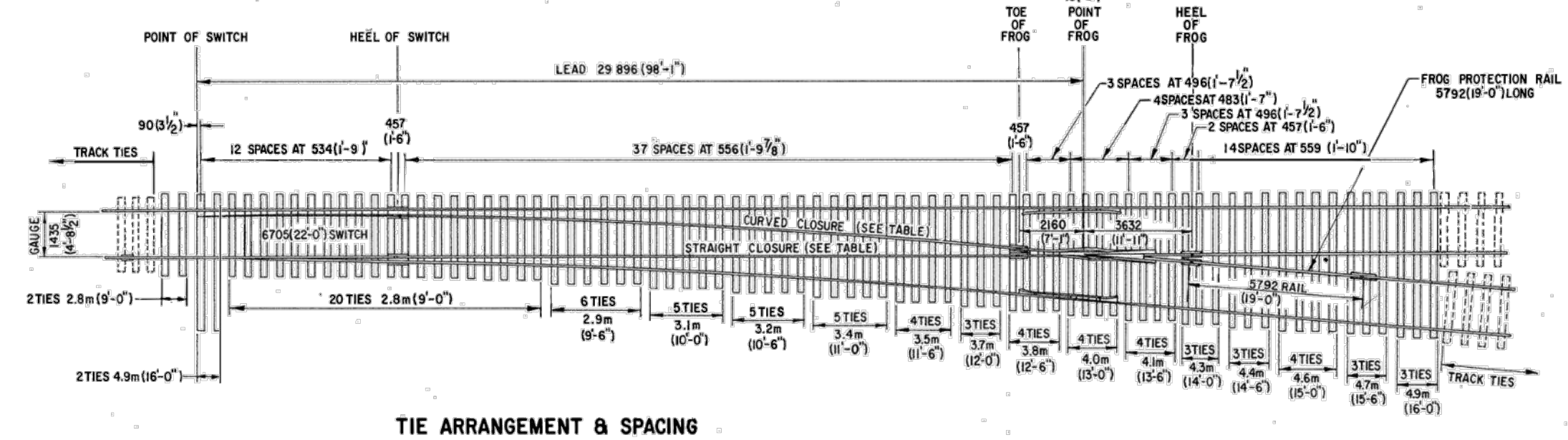
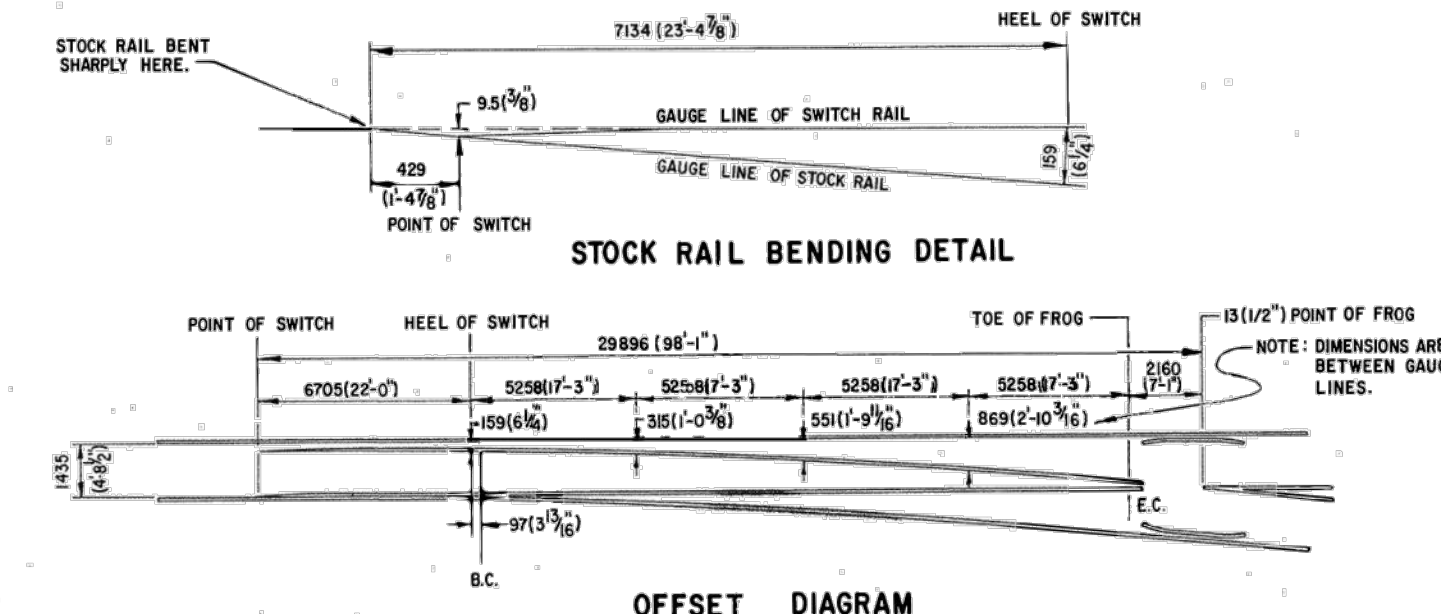
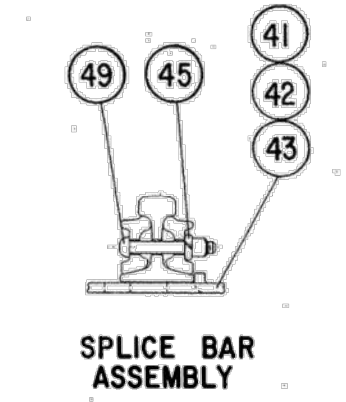
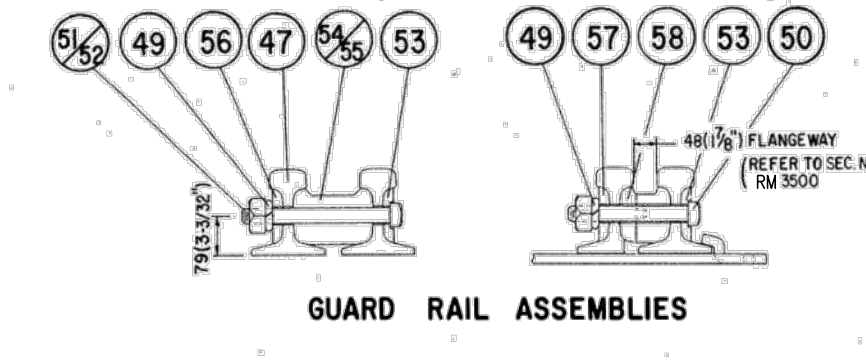
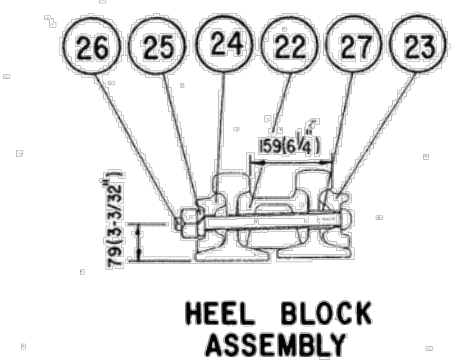
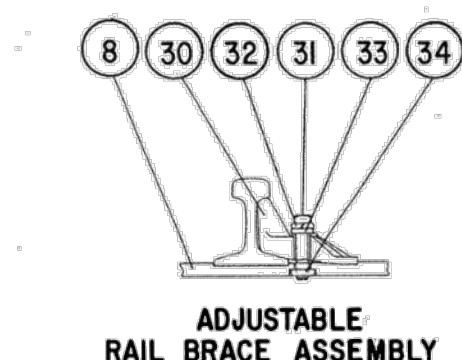
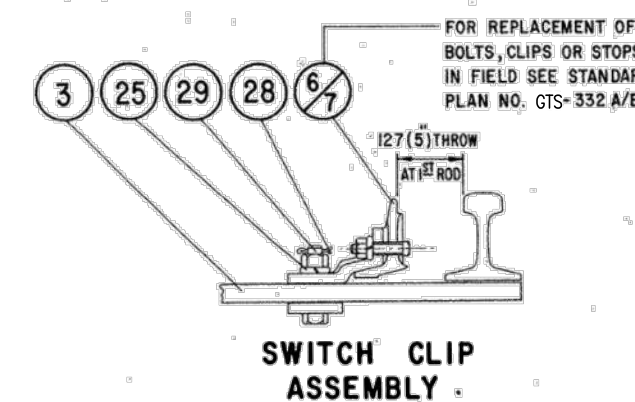


GENERAL ARRANGEMENT
DRAWING NO. GTS-0214A
RIGHT HAND TURNOUT



TURNOUT DATA

FROG NO.----- 12
 LENGTH OF SWITCH 6705 (22'-0")
 HEEL SPREAD 159 (6 1/4")
 LEAD 29896 (98'-1")
 P.S. TO H.F.----- 33528 (110'-0")

21031(69') STRAIGHT CLOSURE LENGTHS MADE UP BY A 21031(69') RAIL OR:
 A 11887 (39') AND 9144 (30')
 A 10973 (36') AND 10058 (33')

21069(69'-1 1/2') CURVED CLOSURE LENGTHS MADE UP BY A 21069(69'-1 1/2') RAIL OR:
 A 11887 (39') AND 9182 (30'-1 1/2")
 A 10973 (36') AND 10096 (33'-1 1/2")

- NOTES:**
- 1- TURNOUT TO BE INSTALLED AND MAINTAINED IN ACCORDANCE WITH THE LATEST ISSUE OF:
 RM. 3500 TURNOUTS
 RM. 3502 POWER, SPRING AND INSULATED SWITCHES
 RM. 3506 SWITCH STAND, SWITCH LAMPS AND TARGETS, WHERE APPLICABLE
 - 2 WHEN REFERRING TO MANUAL TURNOUTS, DRAWING NUMBER MUST BE STATED AS "A" OR "B" TO INDICATE:
 A- RIGHT HAND TURNOUT (ILLUSTRATED)
 B- LEFT HAND TURNOUT
 - 3- FOR GENERAL ARRANGEMENT OF SWITCH STAND & CONNECTING ROD SEE GTS-C701 AND GTS-C702.
 - 4- FOR THE VARIOUS STANDARD TURNOUT COMBINATIONS SEE INDEX SHEET GTS-0000
 - 5- TURNOUT GEOMETRY, FOR TABLES OF DIMENSIONS AND OFFSETS SEE GTS-0003

METRIC CONVERSION: 1 inch=25.4mm, 1 foot=304.8mm

1	18/07/27	ADDED IMPERIAL TO METRIC CONVERSION NOTE	
No.	Date	Revision	By Approved
Standard/		NO.12 TURNOUT-22'-0" POINTS R.B.M. FROG-INSULATED 132LB. R E RAIL	
Drawn	MG	Checked	GGS
Approved		VP Engineering & Asset Management	



BILL OF MATERIALS FOR GTS-0214					
ITEM	DESCRIPTION	STANDARD DRAWING	MARK NO.	QUANTITY	
				A	B
SWITCH PACK					
1	1st. GAUGE PLATE C/W INSULATION PLATE 100/132	GTS-0522	GP100/GP100	1	1
2	2nd. GAUGE PLATE C/W INSULATION PLATE 100/132	GTS-0522	GP130/GP101	1	-
-	2nd. GAUGE PLATE C/W INSULATION PLATE 100/132	GTS-0522	GP101/GP129	-	1
3	SWITCH ROD	GTS-0341A	341A	1	1
4	SWITCH ROD	GTS-0341C	341C	1	1
5	SWITCH ROD	GTS-0341D	341D	1	1
6	RIGHT POINT RAIL	GTS-0332A	332A	1	1
7	LEFT POINT RAIL	GTS-0332B	332B	1	1
8	SWITCH PLATE	GTS-0508	SP315	8	8
9	SWITCH PLATE	GTS-0509	SP316	6	6
10	SWITCH PLATE	GTS-0509	SP332	2	2
11	SWITCH PLATE	GTS-0509	SP333	2	2
12	SWITCH PLATE	GTS-0510	SP334	2	2
13	SWITCH PLATE	GTS-0511	SP335	2	2
14	SWITCH PLATE	GTS-0511	SP336	2	2
15	SWITCH PLATE	GTS-0511	SP337	2	2
16	HOOK TWIN TIE PLATE	GTS-0503	LR23	8	8
17	HOOK TWIN TIE PLATE	GTS-0503	L23	8	8
18	HOOK TWIN TIE PLATE	GTS-0503	LR27	10	10
19	HOOK TWIN TIE PLATE	GTS-0503	L27	10	10
20	HOOK TWIN TIE PLATE	GTS-0503	LR31	4	4
21	HOOK TWIN TIE PLATE	GTS-0503	L31	4	4
22	HEEL BLOCK	GTS-0360	16-6&22GP1-S	2	2
23	BENT SPLICE BAR (4 HOLE) - 132/136 LB. R.E.	GTS-1204D	1204D	2	2
24	STRAIGHT SPLICE BAR (4 HOLE) - 132/136 LB. R.E.	GTS-1203	-	1	1
25	SPRING WASHER for 1 - 1/8" DIA. BOLT	GTS-1301	-	14	14
26	1 - 1/8" DIA. - 7 NC OVAL NECK TRACK BOLT X 12 - 1/2" LG. C/W SQ. NUT	GTS-1320/4	-	8	8
27	PIPE THIMBLE - 1 - 1/4" DIA. X 2 - 3/8" LONG	GTS-0345J	J	2	2
28	1/4" COTTER PIN X 2" LG.	-	-	6	6
29	1 - 1/8" DIA. - 7 UNC HEX HD. BOLT X 5" LG. C/W HEX NUT	GTS-1311/2	-	6	6
30	ADJUSTABLE RAIL BRACE	GTS-0354	132M-14	14	14
31	7/8" DIA. - 9 UNC SQ. HD. BOLT X 3-3/4" LG.	GTS-1308/5	-	28	28
32	SPRING WASHER for 7/8" DIA. BOLT	GTS-1301	-	28	28
33	DOUBLE WASHER	GTS-0354	M-10	14	14
34	DOUBLE NUT	GTS-0354	M-9	14	14
35	PANDROL CLIP - PR 631A	GTS-1322	-	2	2
36	DOUBLE SPRING WASHER - TYPE FE6	GTS-1310	-	16	16
FROG					
37	#12-132 LB. RAIL BOUND MANGANESE STEEL FROG	GTS-0823	-	1	1
FROG PACK					
38	HOOK TWIN TIE PLATE	GTS-0503	L23	10	10
39	HOOK TWIN TIE PLATE	GTS-0503	LR27	4	4
40	HOOK TWIN TIE PLATE	GTS-0503	L27	12	12
41	HOOK TWIN TIE PLATE	GTS-0503	LR23J	2	2
42	HOOK TWIN TIE PLATE	GTS-0503	L23J	4	4
43	HOOK TWIN TIE PLATE	GTS-0503	LR27J	2	2
44	STRAIGHT SPLICE BAR (4 HOLE) - 132/136 LB. R.E.	GTS-1203	-	4	4
45	SPRING WASHER for 1 - 1/8" DIA. BOLT	GTS-1301	-	16	16
46	1 - 1/8" DIA. - 7 NC OVAL NECK TRACK BOLT X 5-7/8" LG. C/W SQ. NUT	GTS-1320/1	-	16	16
GUARD RAIL PACK					
47	FROG GUARD RAIL 11' - 0" LONG	GTS-1106	-	2	2
48	HOOK TWIN TIE PLATE	GTS-0503	L23	32	32
49	SPRING WASHER for 1 - 3/8" DIA. BOLT	GTS-1301	-	12	12
50	1-3/8" DIA. - 6 UNC SQ. HD. BOLT X 9 - 1/2" LG. C/W SQ. NUT	GTS-1309/100	-	4	4
51	1-3/8" DIA. - 6 UNC SQ. HD. BOLT X 10 - 1/2" LG. C/W SQ. NUT	GTS-1309/102	-	4	4
52	1-3/8" DIA. - 6 UNC SQ. HD. BOLT X 11" LG. C/W SQ. NUT	GTS-1309/104	-	4	4
53	HEAD WASHER	GTS-0837J	837J	12	12
54	END CASTING RIGHT HAND 132 LB. R.E.	GTS-0848	GG2-S	2	2
55	END CASTING LEFT HAND 132 LB. R.E.	GTS-0848	GG3-S	2	2
56	TAIL WASHER (BEVELLED)	GTS-0837B	837B	8	8
57	TAIL WASHER (NOT BEVELLED)	GTS-0837K	837K	4	4
58	ADJUSTABLE BLOCK 132 LB. R.E.	GTS-0848	GG1-S	8	8
TO UPGRADE EXISTING TURNOUT, REPLACE 132 LB. PLATES WITH EQUIVALENT 136 LB. PLATES.					
*** MINOR TIE SPACING ADJUSTMENTS MAY BE NECESSARY.***					
TURNOUT PACKAGES					
TURNOUT NUMBER	DESCRIPTION	QUANTITY PER TURNOUT			
GTS- 214A	FROG RBM 12 - 132	1			
	SW-PK INS HO NO. 12A - 132 LBS.	1			
	GR-PK 132 11 - 0	1			
	FR-PK RBM 12- 132	1			
GTS- 214B	FROG RBM 12 - 132	1			
	SW-PK INS HO NO. 12B - 132 LBS.	1			
	GR-PK 132 11 - 0	1			
	FR-PK RBM 12- 132	1			
ABBREAVATIONS					
SW - PK - SWITCH PAK	SAM - SAMSON	SGM - SELF GUARD MANGANESE			
FR - PK - FROG PAK	HO - HAND OPERATED	RBM - RAIL BOUND MANGANESE			
GR - PK - GUARD RAIL PAK	SO - SPRING OPERATED				
INS - INSULATED	PO - POWER OPERATED				
NOTE: 1 - For a new installation, necessary rail, bonded insulated joints, splice bars, bolts, washers, rail anchors, connecting rod, switch stand, targe and reflectorized target kit may be required in addition to the materials listed above					
BILL OF SWITCH TIES					
TIES 180 X 230 mm (7" X 9")					
LENGTH					
METRES	FEET/INCHES		NO. OF PIECES		
2.8	9' - 0"		22		
3.1	10' - 0"		11		
3.4	11' - 0"		10		
3.7	12' - 0"		7		
4.0	13' - 0"		8		
4.3	14' - 0"		7		
4.6	15' - 0"		7		
4.9	16' - 0"		8		
TOTAL NUMBER OF TIES			80		