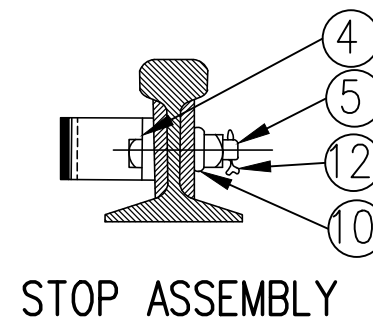
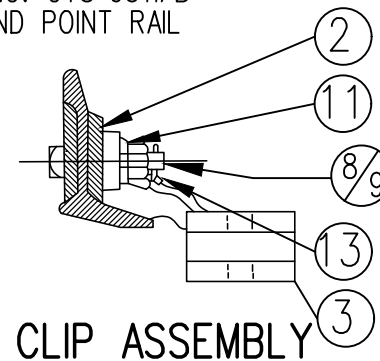
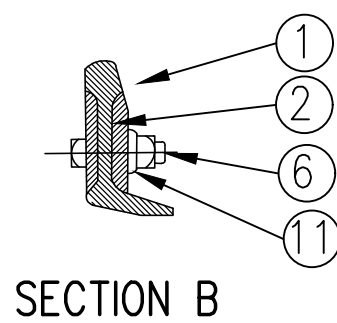
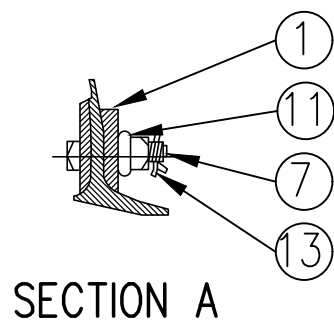


**ASSEMBLY OF 16'-6" POINT RAIL**

DRAWING NO. GTS-0311/B  
LEFT HAND POINT RAIL



NOTES

WHEN REFERRING TO POINT RAILS, DRAWING NO. MUST BE STATED AS A OR B INDICATE RIGHT OR LEFT HAND POINT:  
A- RIGHT HAND POINT  
B- LEFT HAND POINT (ILLUSTRATED)

REFERENCE: OLD POINT NOS. RP40 & LP40

ITEM NO.	DESCRIPTION	STANDARD PLAN NO.	MARK NO.	QUANTITY	
				DWG.NO.GTS-0311	
				A	B
1	RIGHT POINT RAIL LEFT POINT RAIL	R11C-502.1		1	-
2	REINFORCING BAR 1/2" THK X 14'-3" LONG.	GTS-0342/G		2	2
3	SWITCH CLIP-RIGHT HAND	GTS-0338/3	338A-2	2	-
	SWITCH CLIP-LEFT HAND	GTS-0338/4	338B-2	-	-
4	STOP BLOCK	GTS-0339/J	J	1	1
5	3/4" DIA-10 UNC SQ.HD.BOLT X 4" LG.C/W SQ.NUT	GTS-1305/6		2	2
6	1" DIA-8 UNC SQ.HD.BOLT X 3-1/2" LG.C/W SQ.NUT	GTS-1309/13		12	12
7	1" DIA-8 UNC SQ.HD.BOLT X 3-1/2" LG.C/W SQ.NUT	GTS-1305/17		3	3
8	1" DIA-8 UNC SQ.HD.BOLT X 4-1/4" LG.C/W SQ.NUT	GTS-1305/20		2	2
9	1" DIA-8 UNC SQ.HD.BOLT X 4-1/2" LG.C/W SQ.NUT	GTS-1305/21		2	2
10	SPRING WASHER FOR 3/4" DIA BOLT	GTS-1301		2	2
11	SPRING WASHER FOR 1" DIA BOLT	GTS-1301		19	19
12	3/16" COTTER PIN X 1-1/4" LONG			2	2
13	1/4" COTTER PIN X 2" LONG			7	7

**METRIC CONVERSION: 1 inch=25.4mm, 1 foot=304.8mm**

1	18/07/27	ADDED IMPERIAL TO METRIC CONVERSION NOTE
No.	Date	Revision
		By Approved

Standard/

**ASSEMBLY  
16'-6" POINT RAIL  
115LB. A.R.A.A. RAIL**

Drawn \_\_\_\_\_ Checked \_\_\_\_\_ Approved *[Signature]*  
VP Engineering & Asset Management



Date DEC 15, 2017 Plan Number GTS-0311 Rev 1