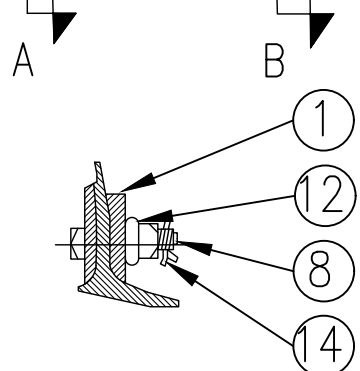
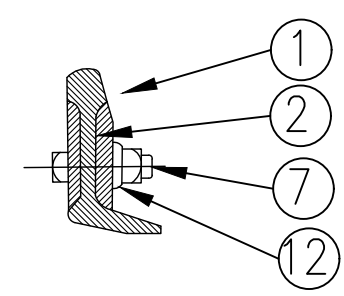


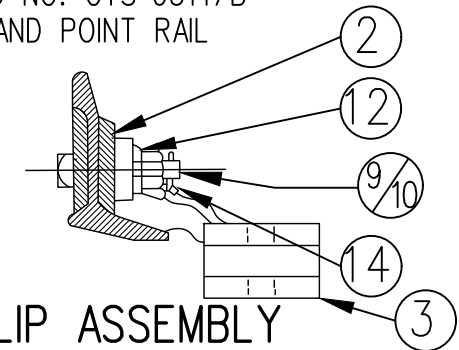
ASSEMBLY OF 16'-6" SAMSON POINT RAIL
DRAWING NO. GTS-0314/B
LEFT HAND POINT RAIL



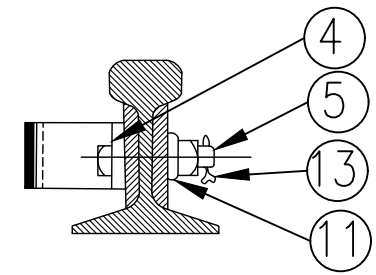
SECTION A



SECTION B



CLIP ASSEMBLY



STOP ASSEMBLY

ITEM NO.	DESCRIPTION	STANDARD PLAN NO.	MARK NO.	QUANTITY	
				DWG.NO.GTS-0314	
				A	B
1	RIGHT POINT RAIL	R11C-575.1		1	-
	LEFT POINT RAIL			-	1
2	REINFORCING BAR 1/2" THK X 14'-3" LONG.	GTS-0342/G		2	2
3	SWITCH CLIP-RIGHT HAND	GTS-0338/3	338A-2	2	-
	SWITCH CLIP-LEFT HAND	GTS-0338/4	338B-2	-	2
4	STOP BLOCK	GTS-0339/J	J	1	1
5	3/4" DIA-10 UNC SQ.HD.BOLT X 4" LG.C/W SQ.NUT	GTS-1305/6		2	2
6	1" DIA-8 UNC SQ.HD.BOLT (3/8" HD) X 3-1/2" LG.C/W SQ.NUT	GTS-1309/20		1	1
7	1" DIA-8 UNC SQ.HD.BOLT X 3-1/2" LG.C/W SQ.NUT	GTS-1309/13		11	11
8	1" DIA-8 UNC SQ.HD.BOLT (3/8" HD) X 3-1/2" LG.C/W SQ.NUT	GTS-1305/16		3	3
9	1" DIA-8 UNC SQ.HD.BOLT (3/8" HD) X 4-1/4" LG.C/W SQ.NUT	GTS-1305/21		2	2
10	1" DIA-8 UNC SQ.HD.BOLT 4-1/2" LG.C/W SQ.NUT	GTS-1301		2	2
11	SPRING WASHER FOR 3/4" DIA BOLT	GTS-1301		2	2
12	SPRING WASHER FOR 1" DIA BOLT			19	19
13	3/16" COTTER PIN X 1-1/4" LONG			2	2
14	1/4" COTTER PIN X 2" LONG			7	7

NOTES

CONVERSION FACTOR: 1 INCH=25.4mm, 1 FOOT=304.8mm
WHEN REFERRING TO POINT RAILS, DRAWING NO. MUST BE STATED AS A OR B INDICATE RIGHT OR LEFT HAND POINT:
A- RIGHT HAND POINT
B- LEFT HAND POINT (ILLUSTRATED)

REFERENCE: OLD POINT NOS. RP40 & LP40

METRIC CONVERSION: 1 inch=25.4mm, 1 foot=304.8mm			
1	18/07/27	ADDED IMPERIAL TO METRIC CONVERSION NOTE	
No.	Date	Revision	By Approved
Standard/		ASSEMBLY 16'-6" SAMSON POINT RAIL 115LB. R.E. RAIL	
Drawn	MG	Checked	GGS
Approved		VP Engineering & Asset Management	
Date	DEC 15, 2017	Plan Number	GTS-0314
		Rev	1
REFERENCE: TS-314 A/B			Sheet 1 OF 1