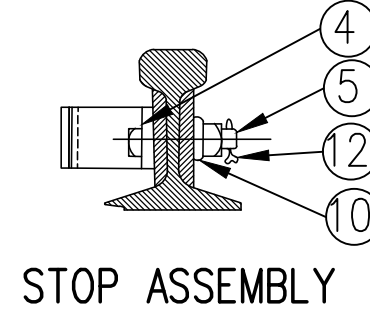
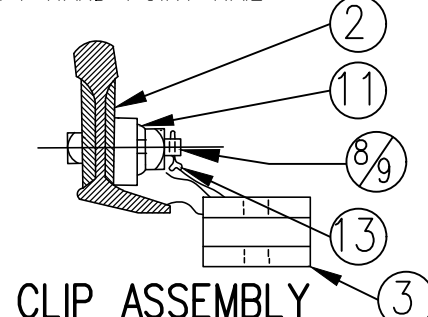
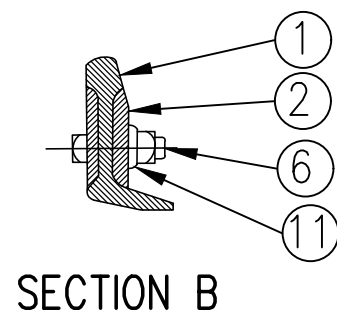
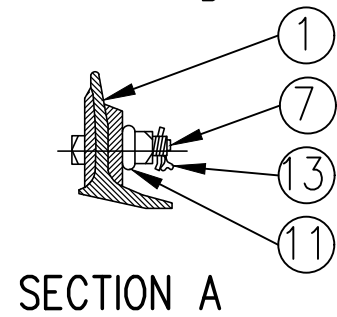


ASSEMBLY OF 16'-6" POINT RAIL

DRAWING NO. GTS-0316/B
LEFT HAND POINT RAIL



ITEM NO.	DESCRIPTION	STANDARD PLAN NO.	MARK NO.	QUANTITY	
				DWG.NO.GTS-0316	
				A	B
1	RIGHT POINT RAIL	R11C-602.1		1	-
	LEFT POINT RAIL			-	1
2	REINFORCING BAR 1/2" THK X 15'-0" LONG.	GTS-0342/J		2	2
3	SWITCH CLIP-RIGHT HAND	GTS-0338/5	338A-3	2	-
	SWITCH CLIP-LEFT HAND	GTS-0338/6	338B-3	-	2
4	STOP BLOCK	GTS-0339/M	M	1	1
5	3/4" DIA-10 UNC SQ.HD.BOLT X 4" LG.C/W SQ.NUT	GTS-1305/6		2	2
6	1" DIA-8 UNC SQ.HD.BOLT X 3-1/2" LG.C/W SQ.NUT	GTS-1309/13		13	13
7	1" DIA-8 UNC SQ.HD.BOLT X 3-1/2" LG.C/W SQ.NUT	GTS-1305/17		3	3
8	1" DIA-8 UNC SQ.HD.BOLT X 4-1/4" LG.C/W SQ.NUT	GTS-1305/20		2	2
9	1" DIA-8 UNC SQ.HD.BOLT X 4-1/2" LG.C/W SQ.NUT	GTS-1305/21		2	2
10	SPRING WASHER FOR 3/4" DIA BOLT	GTS-1301		2	2
11	SPRING WASHER FOR 1" DIA BOLT	GTS-1301		20	20
12	3/16" COTTER PIN X 1-1/4" LONG			2	2
13	1/4" COTTER PIN X 2" LONG			7	7

NOTES

CONVERSION FACTOR: 1 INCH=25.4mm, 1 FOOT=304.8mm

WHEN REFERRING TO POINT RAILS, DRAWING NO. MUST BE STATED AS A OR B INDICATE RIGHT OR LEFT HAND POINT:

A- RIGHT HAND POINT

B- LEFT HAND POINT (ILLUSTRATED)

REFERENCE: OLD POINT NOS. RP210 & LP210

METRIC CONVERSION: 1 inch=25.4mm, 1 foot=304.8mm

1	18/07/27	ADDED IMPERIAL TO METRIC CONVERSION NOTE	
No.	Date	Revision	By Approved

Standard/

**ASSEMBLY
16'-6" POINT RAIL
132LB. R.E. RAIL**

Drawn _____ Checked _____ Approved *KLL*
VP Engineering & Asset Management



Date DEC 15, 2017 Plan Number GTS-0316 Rev 1