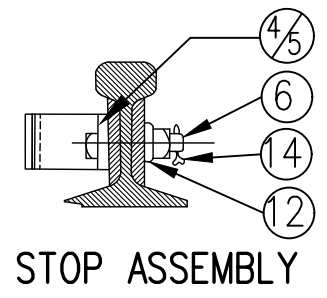
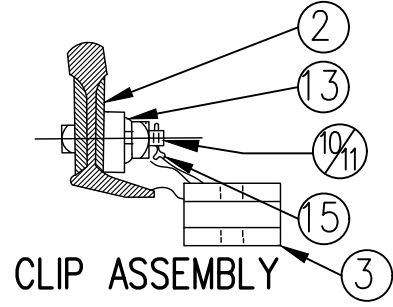
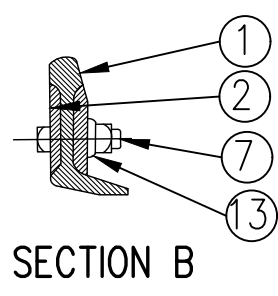
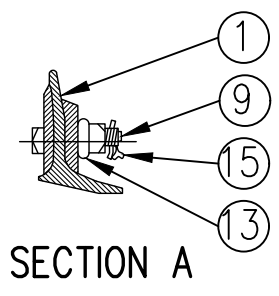


**ASSEMBLY OF SAMSON 22'-0" POINT RAIL**  
DRAWING NO. GTS-0330/B  
LEFT HAND POINT RAIL

**NOTES**  
CONVERSION FACTOR: 1 INCH=25.4mm, 1 FOOT=304.8mm



WHEN REFERRING TO POINT RAILS, DRAWING NO. MUST BE STATED AS A OR B INDICATE RIGHT OR LEFT HAND POINT:  
A- RIGHT HAND POINT  
B- LEFT HAND POINT (ILLUSTRATED)  
REFERENCE: OLD POINT NOS. RP42S & LP42S

ITEM NO.	DESCRIPTION	STANDARD PLAN NO.	MARK NO.	QUANTITY	
				DWG.NO.GTS-0330	
				A	B
1	RIGHT POINT RAIL	R11C-575.1		1	-
	LEFT POINT RAIL			-	1
2	REINFORCING BAR 1/2" THK X 19'-0" LONG.	GTS-0342/H		2	2
3	SWITCH CLIP-RIGHT HAND	GTS-0338/3	338A-2	3	-
	SWITCH CLIP-LEFT HAND	GTS-0338/4	338B-2	-	3
4	STOP BLOCK*1	GTS-0339/K	K	1	1
5	STOP BLOCK*2	GTS-0339/L	L	1	1
6	3/4" DIA-10 UNC SQ.HD.BOLT X 4" LG.C/W SQ.NUT	GTS-1305/6		4	4
7	1" DIA-8 UNC SQ.HD.BOLT (3/8" HD) X 3-1/2" LG.C/W SQ.NUT	GTS-1309/20		3	3
8	1" DIA-8 UNC SQ.HD.BOLT X 3-1/2" LG.C/W SQ.NUT	GTS-1309/13		13	13

9	1" DIA-8 UNC SQ.HD.BOLT (3/8" HD) X 3-1/2" LG.C/W SQ.NUT	GTS-1305/16		3	3
10	1" DIA-8 UNC SQ.HD.BOLT (3/8" HD) X 4-1/4" LG.C/W SQ.NUT	GTS-1305/19		2	2
11	1" DIA-10 UNC SQ.HD.BOLT X 4-1/2" LG.C/W SQ.NUT	GTS-1305/21		4	4
12	SPRING WASHER FOR 3/4" DIA BOLT	GTS-1301		4	4
13	SPRING WASHER FOR 1" DIA BOLT	GTS-1301		25	25
14	3/16" COTTER PIN X 1-1/4" LONG			4	4
15	1/4" COTTER PIN X 2" LONG			9	9

**METRIC CONVERSION: 1 inch=25.4mm, 1 foot=304.8mm**

1	18/07/27	ADDED IMPERIAL TO METRIC CONVERSION NOTE	
No.	Date	Revision	By Approved
Standard		<b>ASSEMBLY 22'-0" SAMSON POINT RAIL 115LB. R.E. RAIL</b>	
Drawn	MG	Checked	GGG
		Approved	<i>[Signature]</i> VP Engineering & Asset Management
		<b>METROLINX</b>	
Date	DEC 15, 2017	Plan Number	GTS-0330
			Rev 1
REFERENCE: TS-330 A/B			Sheet 1 OF 1