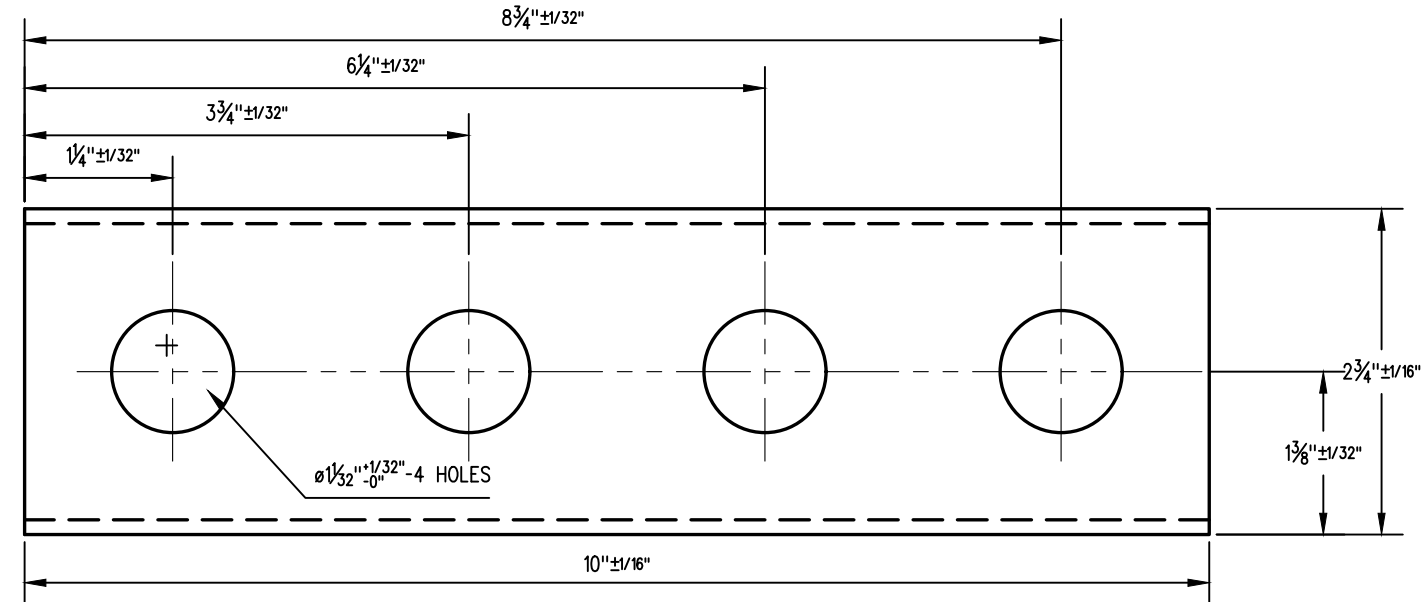
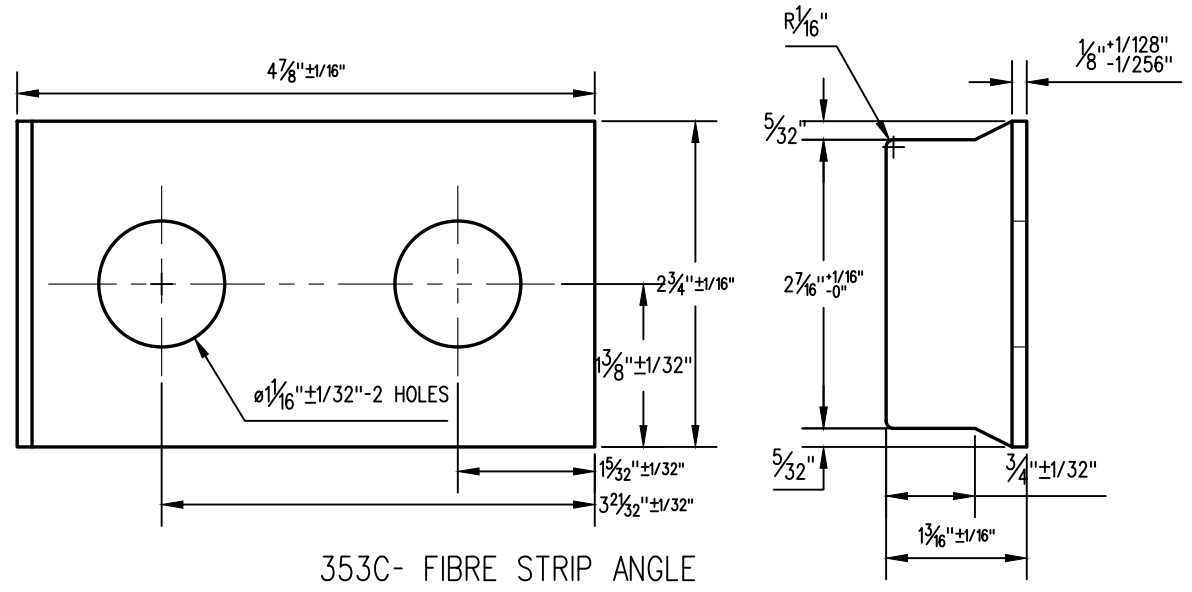


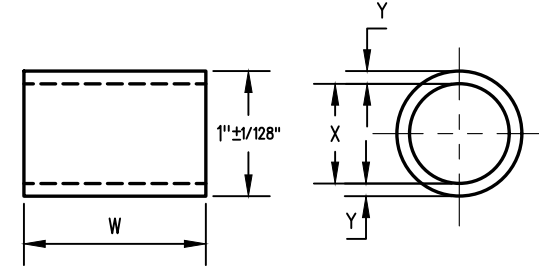
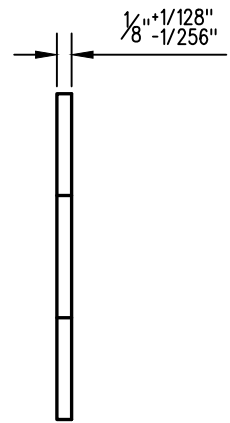
353 A FIBRE INSULATION PLATE



353- FIBRE CHANNEL



353C- FIBRE STRIP ANGLE



FIBRE BUSHING			
ITEM	W $\pm \frac{1}{16}$	X ± 0.0075	Y
353 D	31/32	25/32	7/64
353 E	1 7/32	25/32	7/64
353 F	1 15/32	25/32	7/64

NOTES:

1. ALL DIMENSIONS ARE IN INCHES.
2. EDGES SHALL BE FREE FROM BURRS AND OTHER DEFECTS.
3. FIBRE PARTS, EXCEPT BUSHING, SHALL BE CLEARLY MARKED WITH MANUFACTURER'S NAME OR TRADE MARK AND DATE.
4. WHEN REFERRING TO FIBRE PARTS, DRAWING NUMBER AND LETTER MUST BE STATED TO INDICATE SPECIFIC PART REQUIRED.

MATERIAL:

1. FIBRE MATERIAL TO CONFORM WITH LATEST AAR SIGNAL SECTION SPECIFICATION PART 14.5.1
2. AN APPROVED WATER TREATMENT SHALL BE GIVEN TO ALL PARTS.
3. VARIATION IN BUSHING WALL THICKNESS DUE TO ECCENTRICITY SHALL NOT EXCEED 0.015 IN.

METRIC CONVERSION: 1 inch=25.4mm, 1 foot=304.8mm

1	18/07/27	ADDED IMPERIAL TO METRIC CONVERSION NOTE	
No.	Date	Revision	By Approved

Standard / **FIBRE INSULATION PARTS FOR RODS**

Drawn MG Checked GGS Approved *[Signature]*
VP Engineering & Asset Management



Date DEC 15, 2017 Plan Number GTS-0353 Rev 1