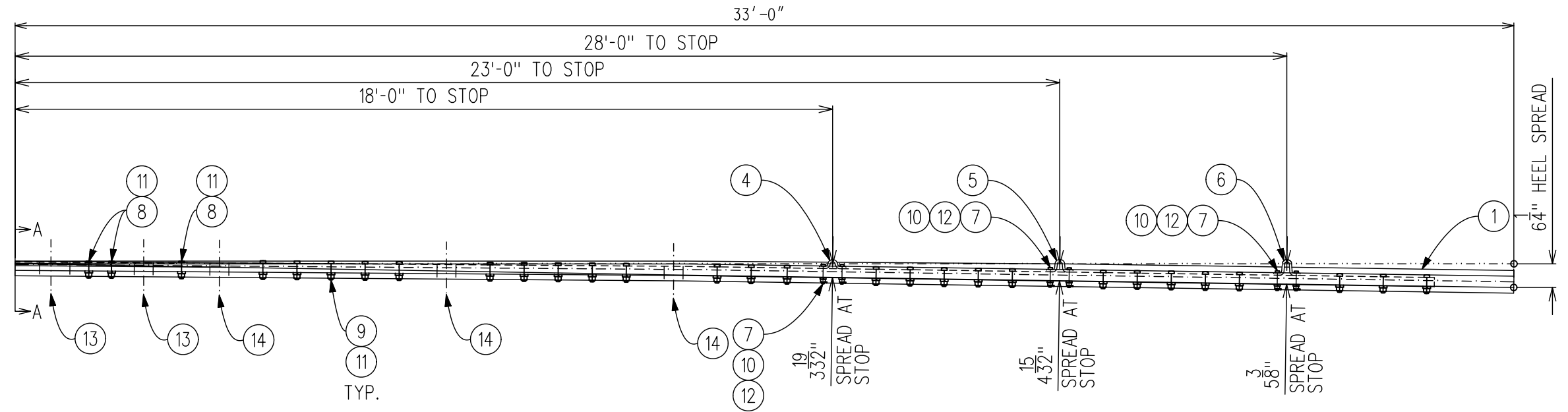


SECTION A-A
N.T.S.



ASSEMBLY OF 33' - 0" SAMSON POINT RAIL

RIGHT POINT - GTS-0352 A
LEFT POINT - GTS-0362 B (ILLUSTRATED)

POINT ASSEMBLY INCLUDES:

ITEM NO.	DESCRIPTION	STANDARD PLAN NO.	QUANTITY DWG. No. GTS-0362	
			A	B
1	RIGHT SAMSON STRAIGHT POINT RAIL LEFT SAMSON STRAIGHT POINT RAIL	R11C-675.1 R11C-675.1	1 -	- 1
2	STOCK SIDE REINFORCING BAR 1/2" THK. X 31'-3" LG.	GTS-0342/W	1	1
3	GAUGE SIDE REINFORCING BAR 1-1/4" THK. X 31'-3" LG.	GTS-0342/V	1	1
4	STOP BLOCK	GTS-0339/S	1	1
5	STOP BLOCK	GTS-0339/J	1	1
6	STOP BLOCK	GTS-0339/T	1	1
7	3/4" DIA-10 UNC SQ. HD. BOLT X 4-3/4" LG. C/W SQ. NUT	GTS-1305/9	6	6
8	1" DIA-8 UNC SQ. HD. BOLT (3/8" HD.) X 4-1/4" LG. C/W SQ. NUT	GTS-1309/25	3	3
9	1" DIA-8 UNC SQ. HD. BOLT X 4-1/4" LONG C/W SQ. NUT	GTS-1309/24	26	26
10	SPRING WASHER FOR 3/4" BOLT	GTS-1301	6	6
11	SPRING WASHER FOR 1" DIA. BOLT	GTS-1301	29	29
12	3/16" COTTER PIN X 1-1/4" LONG		6	6

NOTE: THE FOLLOWING ITEMS ARE NOT INCLUDED IN THE SWITCH POINT ASSEMBLY AND MUST BE ORDERED SEPARATELY IF REQUIRED.

ITEM NO.	DESCRIPTION	STANDARD PLAN NO.	QUANTITY DWG. No. GTS-0362	
			A	B
13	MJS CLIP ASSEMBLY (352/J)	GTS-0352/J	2	2
14	MJS CLIP ASSEMBLY (352/K)	GTS-0352/K	3	3

NOTES:

- SWITCH CLIPS ARE NOT INCLUDED IN SWITCH POINT ASSEMBLY AND MUST BE ORDERED SEPARATELY IF REQUIRED.
- WHEN REFERRING TO POINT RAILS, DRAWING NUMBER MUST BE STATED AS A OR B TO INDICATE RIGHT OR LEFT HAND POINT:
A - RIGHT HAND POINT
B - LEFT HAND POINT (ILLUSTRATED)
- REFERENCE R11C-675.1

METRIC CONVERSION: 1 inch=25.4mm, 1 foot=304.8mm

No.	Date	Revision	By	Approved
1	18/07/27	ADDED IMPERIAL TO METRIC CONVERSION NOTE		

Standard / **ASSEMBLY
33'0" SAMSON POINT RAIL
FOR POWER OPERATION-132 LB. R.E. RAIL**

Drawn GEK Checked GWM Approved [Signature]
VP Engineering & Asset Management



Date SEPT 15/2017 Plan Number GTS-0362 Rev 1