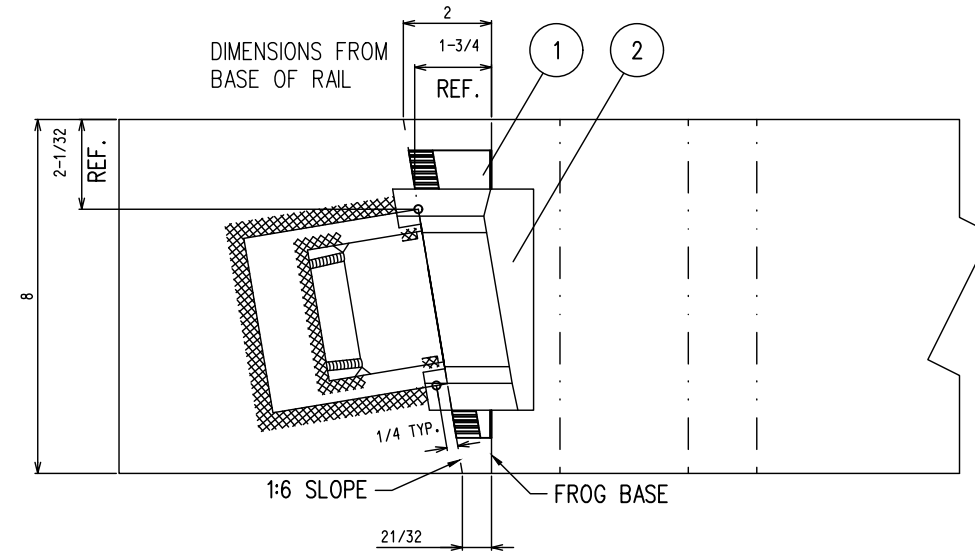
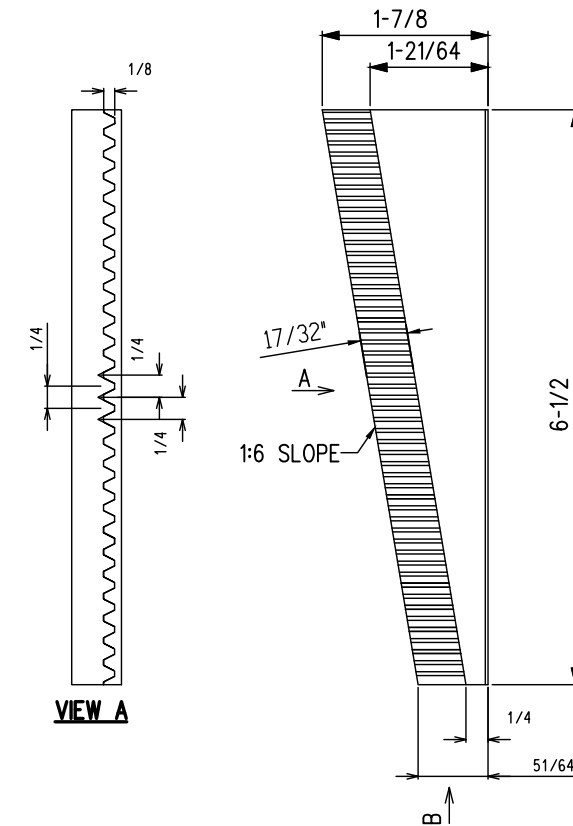


SERRATION DETAIL OF MATING PARTS



ADJUSTABLE FROG CLAMP ASSEMBLY

- INCLUDE
- ① FROG CLAMP QUANTITY: 1
 - ② FROG PLATE WASHER QUANTITY: 1



VIEW A

VIEW B

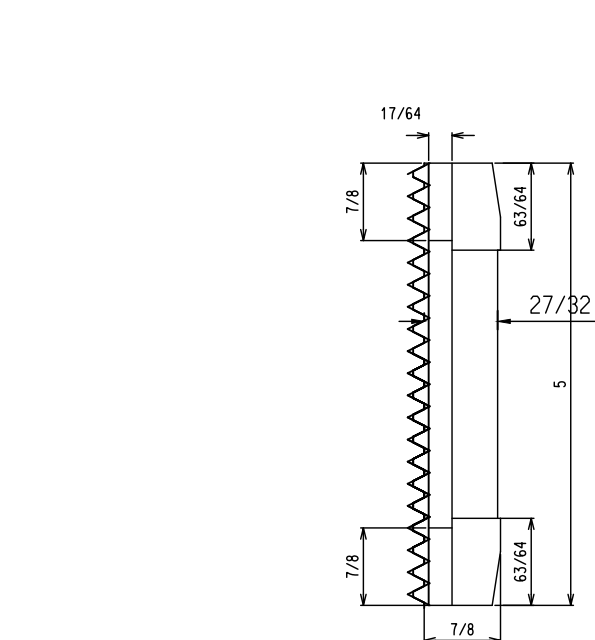
FROG CLAMP
WEIGHT 1.5LBS.

NOTES:

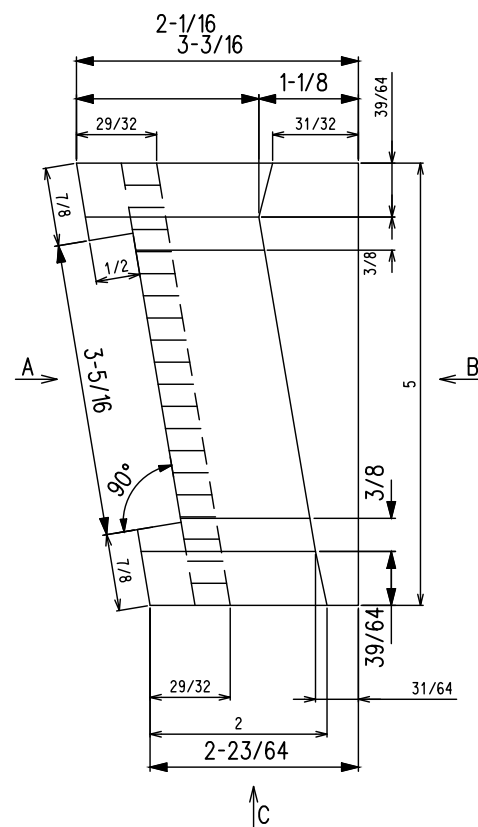
1. ALL DIMENSIONS ARE INCHES.

MATERIALS:

2. DUCTILE IRON ASTM A536 GR 65-45-12.

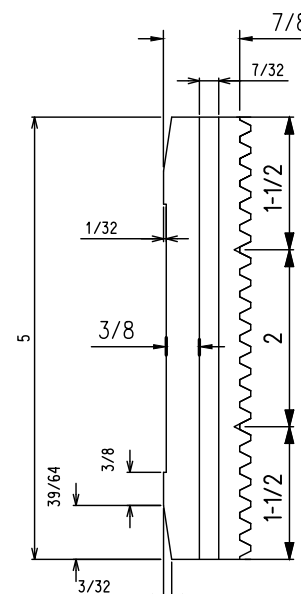


VIEW A

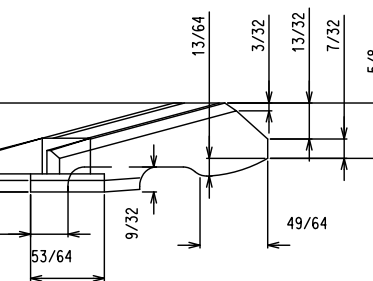


VIEW B

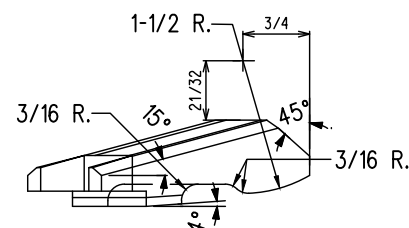
FROG PLATE WASHER
WEIGHT 2.5LBS.



VIEW C



VIEW C (SHOWING HOR. & VERT. DIMS.)



VIEW C (SHOWING ANGLES & RADII)

METRIC CONVERSION: 1 inch=25.4mm, 1 foot=304.8mm

1	18/07/27	ADDED IMPERIAL TO METRIC CONVERSION NOTE	
No.	Date	Revision	By Approved

Standard	ADJUSTABLE FROG CLAMP
----------	------------------------------

Drawn	PCV	Checked	DL	Approved	<i>[Signature]</i> VP Engineering & Asset Management
-------	-----	---------	----	----------	---



Date	SEPT 15/2017	Plan Number	GTS-0365	Rev	1
------	--------------	-------------	----------	-----	---