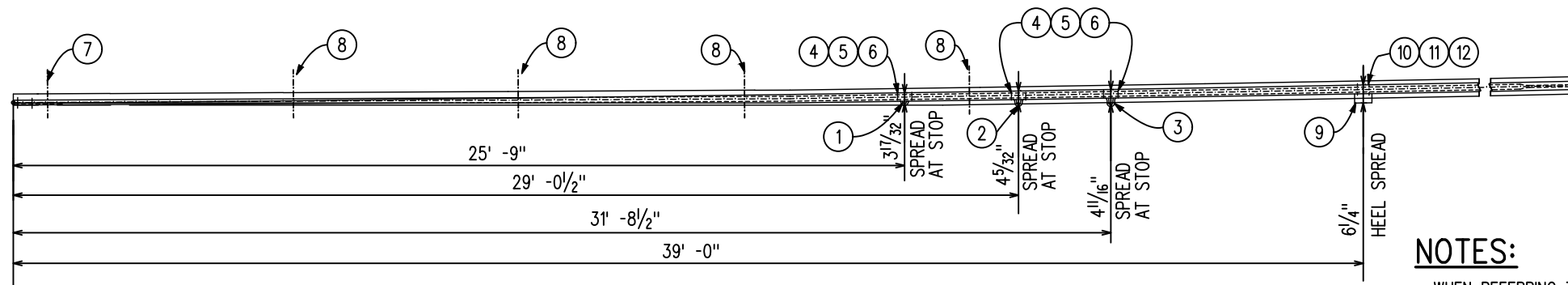


ASSEMBLY DETAILS - STRAIGHT SAMSON POINT RAIL

RIGHT POINT RAIL FOR R.H. TURNOUT - GTS 0382 D (ILLUSTRATED)
LEFT POINT RAIL FOR L.H. TURNOUT - GTS 0382 C



ASSEMBLY DETAILS - CURVED SAMSON POINT RAIL

RIGHT POINT RAIL FOR L.H. TURNOUT - GTS 0382 A (ILLUSTRATED)
LEFT POINT RAIL FOR R.H. TURNOUT - GTS 0382 B

NOTES:

- WHEN REFERRING TO POINT RAILS, DRAWING NUMBER MUST BE STATED AS A, B, C OR D TO INDICATE SPECIFIC POINT REQUIRED.
- SWITCH CLIP ASSEMBLIES AND HEEL BLOCK ARE NOT INCLUDED IN THE SWITCH AND POINT ASSEMBLY AND MUST BE ORDERED SEPARATELY IF REQUIRED



POINT ASSEMBLY INCLUDES:

STOCK NO.	ITEM NO.	DESCRIPTION	STANDARD PLAN NO.	QUANTITY DWG. No. GTS-0382
01-09-797	1	POINT STOP 339N	GTS-0339N	1
01-09-799	2	POINT STOP 339P	GTS-0339P	1
01-09-781	3	POINT STOP 339M	GTS-0339M	1
01-01-636	4	BOLT 3/4" x 4 1/4" c/w SQUARE NUT	GTS-1305/9	6
01-01-484	5	SPRING WASHER FOR 3/4" BOLT	GTS-1301	6
45-06-638	6	COTTER PIN 3/16" x 1 1/4"		6

NOTE: THE FOLLOWING ITEMS ARE NOT INCLUDED IN THE SWITCH POINT ASSEMBLY AND MUST BE ORDERED SEPARATELY IF REQUIRED.

STOCK NO.	ITEM NO.	DESCRIPTION	STANDARD PLAN NO.	QUANTITY DWG. No. GTS-0382
01-18-032	7	ROCKER CLIP ASSEMBLY (GTS-0352/L)	GTS-0352/L	1
01-18-033	8	ROCKER CLIP ASSEMBLY (GTS-0352/M)	GTS-0352/M	3
01-09-120	9	HEEL BLOCK GO 383TW	GTS-0383	1
01-29-157	10	BOLT 1 1/8" x 5 1/2" - 7 UNC	GTS-1308/10	2
01-01-289	11	SPRING WASHER FOR 1 1/8" BOLT	GTS-1301	2
01-01-809	12	LOCKNUT FOR 1 1/8" BOLT-7 UNC	GTS-1302	2

METRIC CONVERSION: 1 inch=25.4mm, 1 foot=304.8mm

1	18/07/27	ADDED IMPERIAL TO METRIC CONVERSION NOTE	
No.	Date	Revision	By Approved
ASSEMBLY-UNIFORM RISER DESIGN 58'10" SAMSON POINT RAIL-THICK WEB NO. 20 LATERAL ALL WELDED TURNOUT FOR POWER OPERATED-LB. R.E. RAIL			
Drawn	RFP	Checked	GGG
		Approved	<i>[Signature]</i> VP Engineering & Asset Management
			
Date	SEPT 15/2017	Plan Number	GTS-0382AD Rev 1
REFERENCE: TS-0382AD_R2		Sheet 1 OF 1	