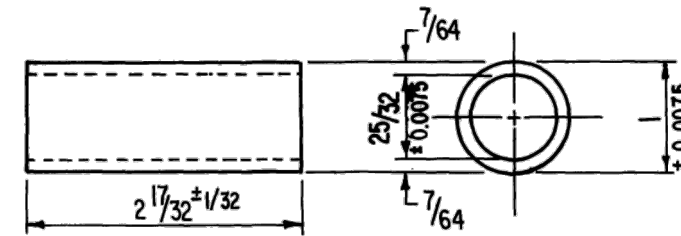


GTS-0516A - FIBRE END POST



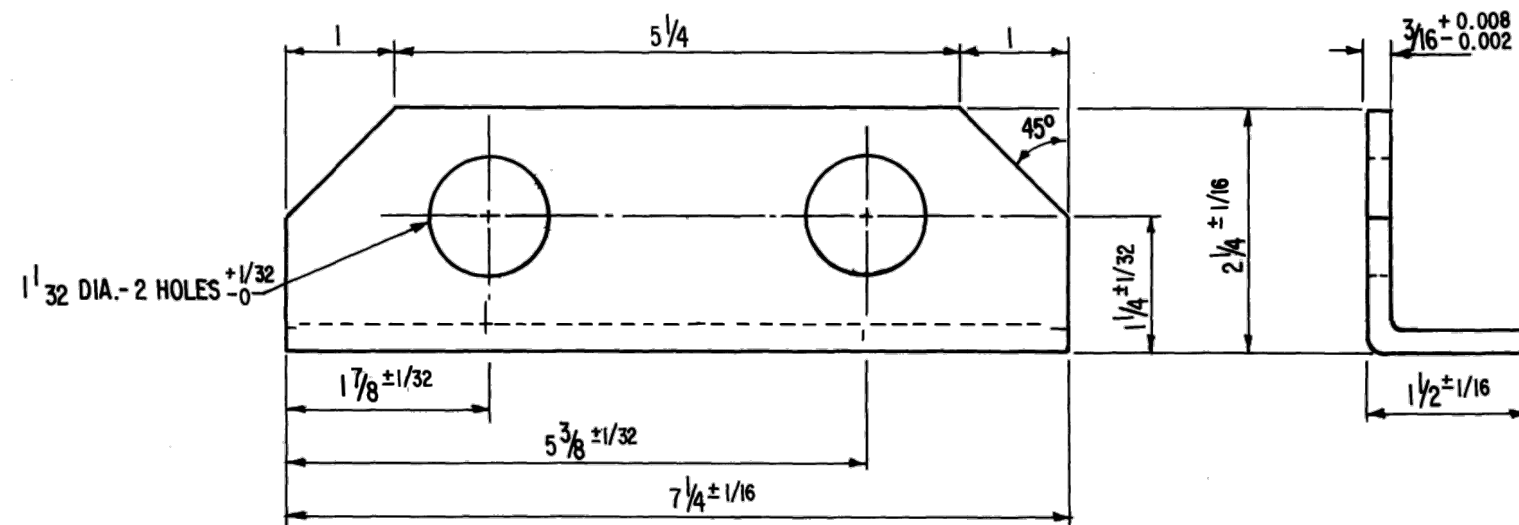
GTS-0516 C - FIBRE BUSHING

NOTES :

- ALL DIMENSIONS ARE IN INCHES.
- EDGES SHALL BE FREE FROM BURRS AND OTHER DEFECTS.
- FIBRE PARTS, EXCEPT BUSHING, SHALL BE CLEARLY MARKED WITH MANUFACTURER'S NAME OR TRADE MARK AND DATE.
- WHEN REFERRING TO FIBRE PARTS, DRAWING NUMBER AND LETTER MUST BE STATED TO INDICATE SPECIFIC PART REQUIRED.

MATERIAL :

- FIBRE MATERIAL TO CONFORM WITH LATEST AAR SIGNAL SECTION SPECIFICATION 13, MANUAL PART 58 FOR HARD FIBRE.
- AN APPROVED WATER TREATMENT SHALL BE GIVEN TO ALL PARTS.
- VARIATIONS IN BUSHING WALL THICKNESS DUE TO ECCENTRICITY SHALL NOT EXCEED 0.015 IN.



GTS-0516B - FIBRE ANGLE PLATE

METRIC CONVERSION: 1 inch=25.4mm, 1 foot=304.8mm

1	18/07/27	ADDED IMPERIAL TO METRIC CONVERSION NOTE
No.	Date	Revision
		By Approved

Standard / FIBRE INSULATION PARTS FOR GAUGE PLATES

Drawn MRC Checked GWM Approved *[Signature]* VP Engineering & Asset Management



Date DEC 15, 2017 Plan Number GTS-516 Rev 1

REFERENCE: TS-516 A/C Sheet 1 OF 1