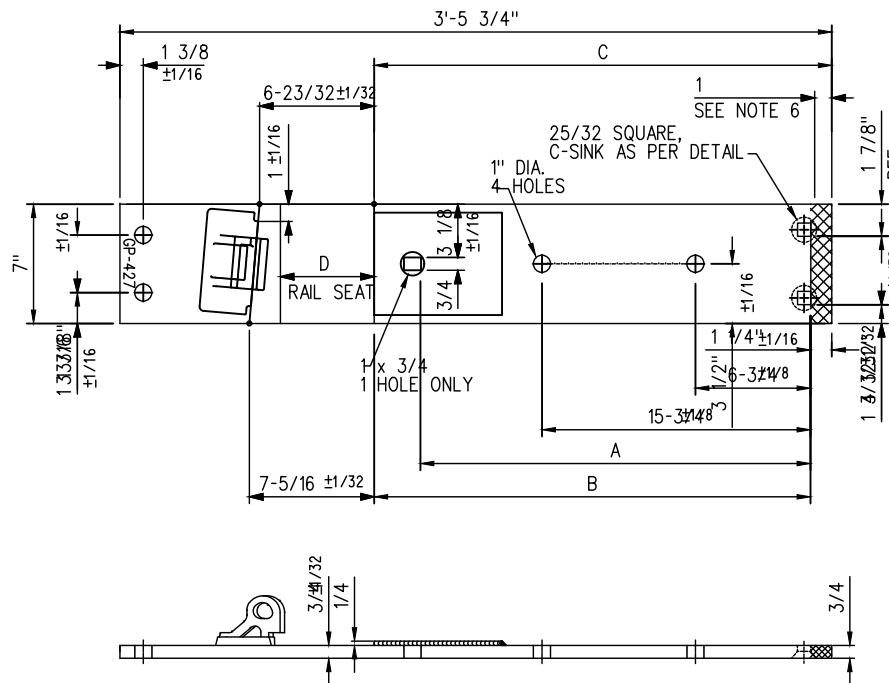


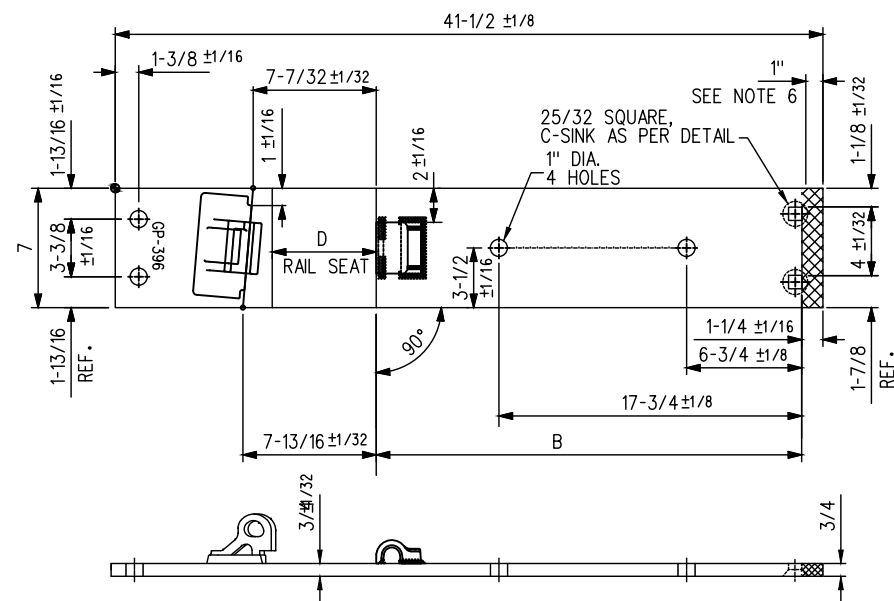
**TYPICAL LV BRACE PLATE FOR POWER TURNOUTS**  
(COMPATIBLE WITH SM-100 PLATE)



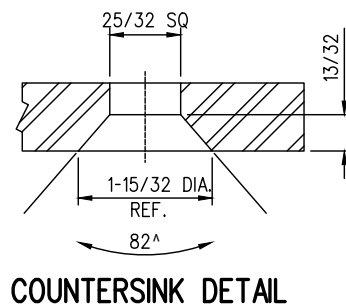
**TYPICAL LV BRACE PLATE FOR TURNOUTS HAND OPERATED**  
(NOT COMPATIBLE WITH SM-100 PLATE)

**NOTES**

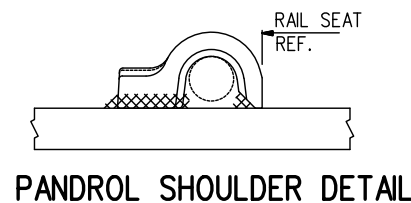
1. IDENTIFICATION CHARACTERS (1/2" MINIMUM HEIGHT) TO BE STAMPED ON EACH PLATE AS SHOWN.
2. INSULATION BOLT HOLES MUST HAVE BURRS REMOVED.
3. ALL HOLES TO BE PUNCHED OR DRILLED. THE USE OF ACETYLENE TORCH OR OTHER BURNING METHOD FOR THE MAKING OF HOLES OR CUTTING IN THE MANUFACTURE OF GAUGE PLATES IS ABSOLUTELY PROHIBITED.
4. WHEN REFERRING TO GAUGE PLATE (HALVES), PLAN AND PLATE NUMBER MUST BE STATED TO INDICATE SPECIFIC PLATE REQUIRED.
5. FOR ASSEMBLY OF GAUGE PLATES, SEE PLAN GTS-0523.
6. THE ADJOINING ENDS OF ALL GAUGE PLATE HALVES TO BE PAINTED WITH GLYPTAL G-1201 RED SEMI-GLOSS FINE INSULATING PAINT AS SHOWN.
7. ALL DIMENSIONS ARE IN INCHES.



**TYPICAL LV BRACE PLATE FOR "B" TIE GP396, GP426**



**COUNTERSINK DETAIL**



**PANDROL SHOULDER DETAIL**

**DIMENSIONS**

GAUGE PLATES	TURNOUT NO.	A +1/16	B +1/16 -0	C ±1/32	D ±1/32	COMPATIBLE WITH SM-100 PLATE
GP 397	20, 16, 12, 10	22-7/16	24-15/16	24-15/16	6-3/32	YES
GP 398	10 LH	22-1/2	24-15/16	25	6-3/32	YES
GP 399	10 LH	22-17/32	25-5/32	25-7/32	6-3/32	YES
GP 400	10 RH	22-1/2	25	24-15/16	6-3/32	YES
GP 401	10 RH	22-17/32	25-7/32	25-5/32	6-3/32	YES
GP 402	12 LH	22-15/32	24-15/16	25	6-3/32	YES
GP 403	12 LH	22-11/16	25-5/32	25-7/32	6-3/32	YES
GP 404	12 RH	22-15/32	25	24-15/16	6-3/32	YES
GP 405	12 RH	22-11/16	25-7/32	25-5/32	6-3/32	YES
GP 406	16 LH	22-7/16	24-15/16	25-1/32	6-3/32	YES
GP 407	16 LH	22-22/32	25-1/4	25-11/32	6-3/32	YES
GP 408	16 RH	22-7/16	25-1/16	24-31/32	6-3/32	YES
GP 409	16 RH	22-22/32	25-3/8	25-9/32	6-3/32	YES
GP 410	20 LH	22-17/32	24-15/16	25	6-3/32	YES
GP 411	20 LH	22-17/32	25-1/8	25-3/16	6-3/32	YES
GP 412	20 RH	22-17/32	25	24-15/16	6-3/32	YES
GP 413	20 RH	22-17/32	25-7/32	25-5/32	6-3/32	YES
GP 414	15 LH	21-19/32	24-3/32	24-3/32	6-3/32	YES
GP 415	15 LH	21-19/32	24-3/32	24-3/32	6-3/32	YES
GP 416	15 RH	21-19/32	24-3/32	24-3/32	6-3/32	YES
GP 417	15 RH	21-19/32	24-3/32	24-3/32	6-3/32	YES
GP 396	-RH	N/A	X	N/A	5-19/32	NO
GP 426	-RH	N/A	25-3/32	N/A	5-19/32	NO
GP 427	-H	22-7/8	25-19/32	26-17/32	5-19/32	NO
GP 428	-LH	23	25-19/32	27-1/16	5-19/32	NO
GP 429	-RH	23	25-13/16	26-27/32	5-19/32	NO
GP 430	-H	N/A	28-3/32	29-11/32	5-19/32	NO
GP 431	-LH	N/A	27-31/32	29	5-19/32	NO
GP 432	-RH	N/A	28-3/16	29-7/32	5-19/32	NO
GP 433	-H	22-3/4	25-3/32	26-11/32	5-19/32	YES
GP 434	-H	22-3/8	25-3/32	26-11/32	5-19/32	YES
GP 435	-LH	23-1/4	25-15/32	27-15/16	5-19/32	YES
GP 436	-RH	23-1/4	25-11/16	27-5/32	5-19/32	YES
GP 437	-LH	23-1/2	26-3/32	26-9/16	5-19/32	YES
GP 438	-RH	23-1/2	26-9/32	26-5/16	5-19/32	YES

**MATERIAL**

PLATES TO CONFORM TO THE LATEST REVISION OF A.S.T.M.

CHEMICAL REQUIREMENT.

	MINIMUM	MAXIMUM
CARBON	0.25 %	0.29 %
MANGANESE	0.60 %	1.20 %
PHOSPHORUS		0.04 %
SULPHUR		0.05 %
SILICON		0.40 %

SPECIFICATION A-36 FOR COMMERCIAL QUALITY HOT ROLLED BAR STEEL

**METRIC CONVERSION: 1 inch=25.4mm, 1 foot=304.8mm**

1	18/07/27	ADDED IMPERIAL TO METRIC CONVERSION NOTE	
No.	Date	Revision	By Approved
Standard		<b>INSULATED GAUGE PLATES (HALVES) FOR ALL WELDED TURNOUTS LV BRACE, 115/136 LB. R.E. RAILS</b>	
Drawn	PCV	Checked	DL
Approved			
Date		Plan Number	Rev
SEPT 15/2017		GTS-0525	1
REFERENCE: TS-0525_SH4_R0		Sheet 4 OF 4	



**METROLINX**