

TYPICAL PANDROL SHOULDER INSTALLATION

**NOTES**

1. WHEN REFERRING TO FROG PLATES, PLAN AND PLATE NUMBERS MUST BE STATED TO INDICATE SPECIFIC PLATE REQUIRED.
2. IDENTIFICATION CHARACTERS (1/2" MINIMUM HEIGHT) TO BE STAMPED ON EACH PLATE AS SHOWN.
3. ALL DIMENSIONS ARE IN INCHES.
4. UNLESS OTHERWISE SPECIFIED ALL TOLERANCES TO BE ±1/32.
5. WHERE APPLICABLE, FROG PLATES TO BE MADE BY WELDING MULTIPLE PLATES TOGETHER, AS SHOWN, OR BY MACHINING A SINGLE PLATE.

**MATERIAL**

PLATES TO CONFORM TO THE LATEST REVISION OF GO TRANSIT TRACK STANDARDS OR IN GENERAL WITH LATEST REVISION OF A.S.T.M. SPECIFICATION FOR COMMERCIAL QUALITY HOT ROLLED BAR STEEL A-675 CHEMICAL REQUIREMENT.

	MINIMUM	MAXIMUM
CARBON	0.15 %	0.25 %
MANGANESE	0.30 %	0.60 %
PHOSPHORUS		0.04 %
SULPHUR		0.05 %

PLATES	A	B	C	D	E	F	G	WEIGHT (LBS.)	STOCK NUMBERS	
	±1/8	±1/16							NEW	PART WORN
FP-423R	23-1/2	22-1/8	17-1/2	11-7/16	10-7/8	6-15/16	5°			
FP-455R	24	22-5/8	17-9/16	11-9/16	11	7-3/32	6°			
FP-484R	23-1/2	22-1/8	17-11/32	11-5/32	10-3/4	6-3/4	3°			
FP-536R	23-1/2	22-1/8	17-7/16	11-5/16	10-13/16	6-27/32	4°			

METRIC CONVERSION: 1 inch=25.4mm, 1 foot=304.8mm

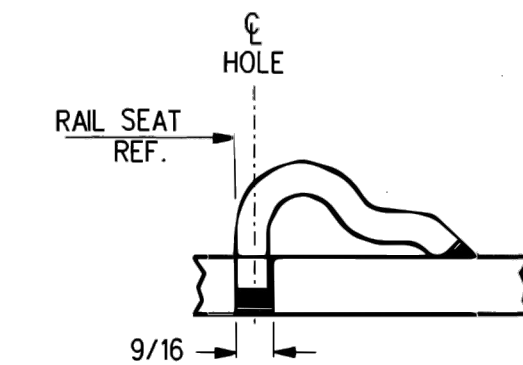
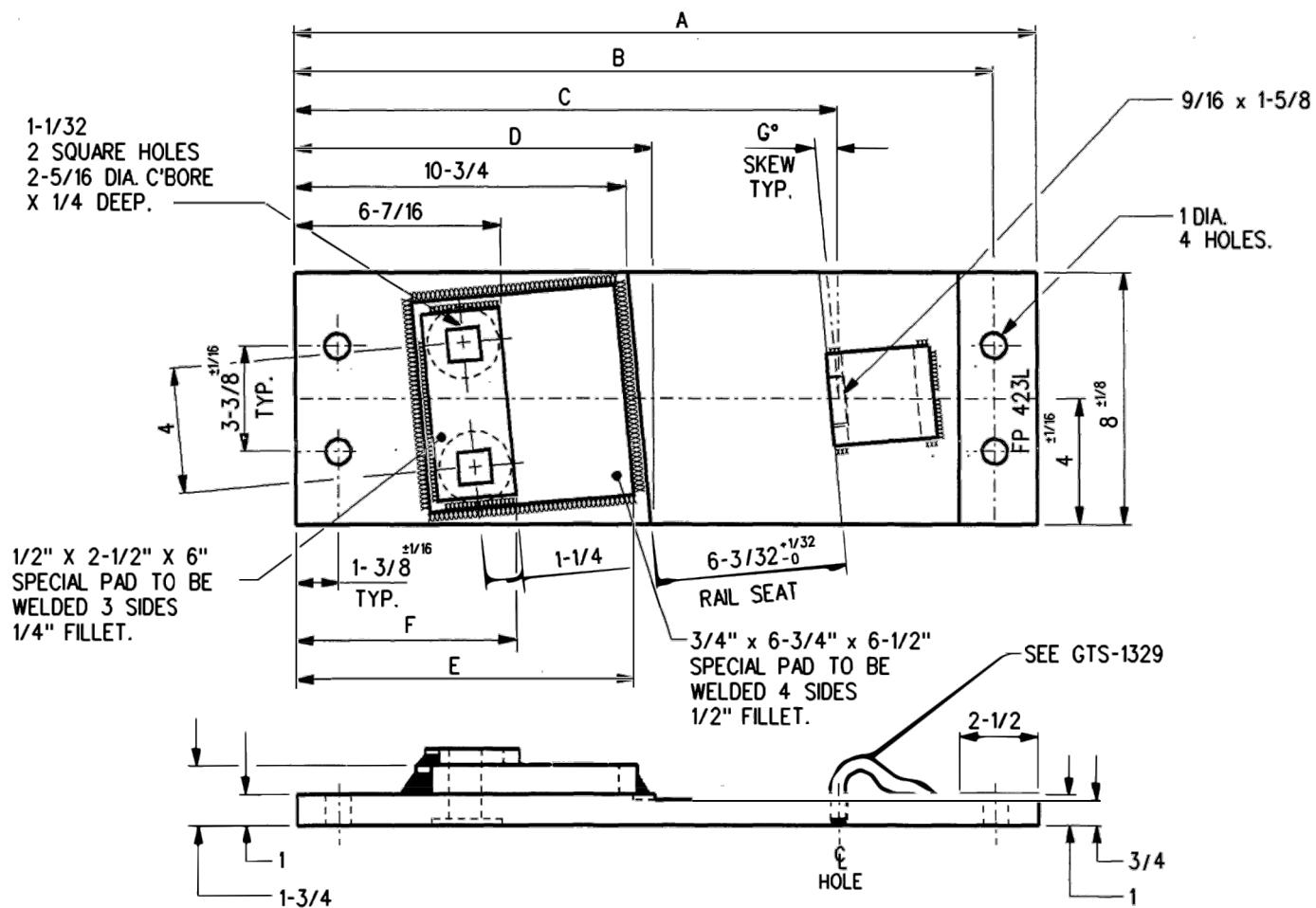
1	18/07/27	ADDED IMPERIAL TO METRIC CONVERSION NOTE
No.	Date	Revision
		By Approved

Standard / **FROG PLATES RIGHT HAND**

Drawn RFP Checked GGS Approved *[Signature]* VP Engineering & Asset Management



Date DEC 15, 2017 Plan Number GTS-0550 Rev 1



TYPICAL PANDROL SHOULDER INSTALLATION

**NOTES**

1. WHEN REFERRING TO FROG PLATES, PLAN AND PLATE NUMBERS MUST BE STATED TO INDICATE SPECIFIC PLATE REQUIRED.
2. IDENTIFICATION CHARACTERS ( 1/2" MINIMUM HEIGHT) TO BE STAMPED ON EACH PLATE AS SHOWN.
3. ALL DIMENSIONS ARE IN INCHES.
4. UNLESS OTHERWISE SPECIFIED ALL TOLERANCES TO BE ±1/32.
5. WHERE APPLICABLE, FROG PLATES TO BE MADE BY WELDING MULTIPLE PLATES TOGETHER, AS SHOWN, OR BY MACHINING A SINGLE PLATE.

**MATERIAL**

PLATES TO CONFORM TO THE LATEST REVISION OF GO TRANSIT TRACK STANDARDS OR IN GENERAL WITH LATEST REVISION OF A.S.T.M. SPECIFICATION FOR COMMERCIAL QUALITY HOT ROLLED BAR STEEL A-675 CHEMICAL REQUIREMENT.

	MINIMUM	MAXIMUM
CARBON	0.15 %	0.25 %
MANGANESE	0.30 %	0.60 %
PHOSPHORUS		0.04 %
SULPHUR		0.05 %

PLATES	A	B	C	D	E	F	G	WEIGHT (LBS.)	STOCK NUMBERS	
	±1/8	±1/16							NEW	PART WORN
FP-423L	23-1/2	22-1/8	17-1/2	11-7/16	10-7/8	6-15/16	5°			
FP-455L	24	22-5/8	17-9/16	11-9/16	11	7-3/32	6°			
FP-484L	23-1/2	22-1/8	17-11/32	11-5/32	10-3/4	6-3/4	3°			
FP-536L	23-1/2	22-1/8	17-7/16	11-5/16	10-13/16	6-27/32	4°			

METRIC CONVERSION: 1 inch=25.4mm, 1 foot=304.8mm

1	18/07/27	ADDED IMPERIAL TO METRIC CONVERSION NOTE
No.	Date	Revision
		By Approved

Standard / **FROG PLATES LEFT HAND**

Drawn RFP Checked GGS Approved *[Signature]* VP Engineering & Asset Management



Date DEC 15, 2017 Plan Number GTS-0550 Rev 1