

**NOTES**

1. WHEN REFERRING TO FROG PLATES, PLAN AND PLATE NUMBERS MUST BE STATED TO INDICATE SPECIFIC PLATE REQUIRED.
2. IDENTIFICATION CHARACTERS ( 1/2" MINIMUM HEIGHT) TO BE STAMPED ON EACH PLATE AS SHOWN.
3. ALL DIMENSIONS ARE IN INCHES.
4. UNLESS OTHERWISE SPECIFIED ALL TOLERANCES TO BE ±1/32.
5. WHERE APPLICABLE, FROG PLATES TO BE MADE BY WELDING MULTIPLE PLATES TOGETHER, AS SHOWN, OR BY MACHINING A SINGLE PLATE.

**MATERIAL**

PLATES TO CONFORM TO THE LATEST REVISION OF GO TRANSIT TRACK STANDARDS OR IN GENERAL WITH LATEST REVISION OF A.S.T.M. SPECIFICATION FOR COMMERCIAL QUALITY HOT ROLLED BAR STEEL A-675 CHEMICAL REQUIREMENT.

	MINIMUM	MAXIMUM
CARBON	0.15 %	0.25 %
MANGANESE	0.30 %	0.60 %
PHOSPHORUS		0.04 %
SULPHUR		0.05 %

PLATES	A	B	C	D	E	F	G	WEIGHT (LBS.)	STOCK NUMBERS	
	±1/8	±1/16							NEW	PART WORN
FP-424R	24	22-5/8	18-1/16	12	11-7/16	7	5°			
FP-456R	24-1/4	22-7/8	18-3/16	12-1/8	11-17/32	7-1/16	6°			
FP-485R	24	22-5/8	17-31/32	11-3/4	11-7/32	6-7/8	3°			
FP-537R	24	22-5/8	18-1/32	11-7/8	11-11/32	6-15/16	4°			

**METRIC CONVERSION: 1 inch=25.4mm, 1 foot=304.8mm**

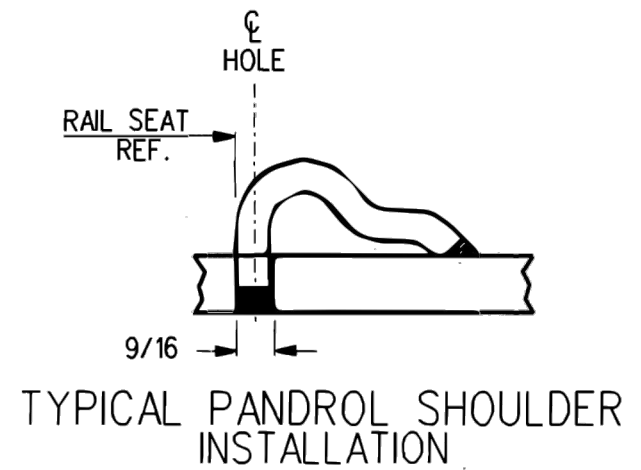
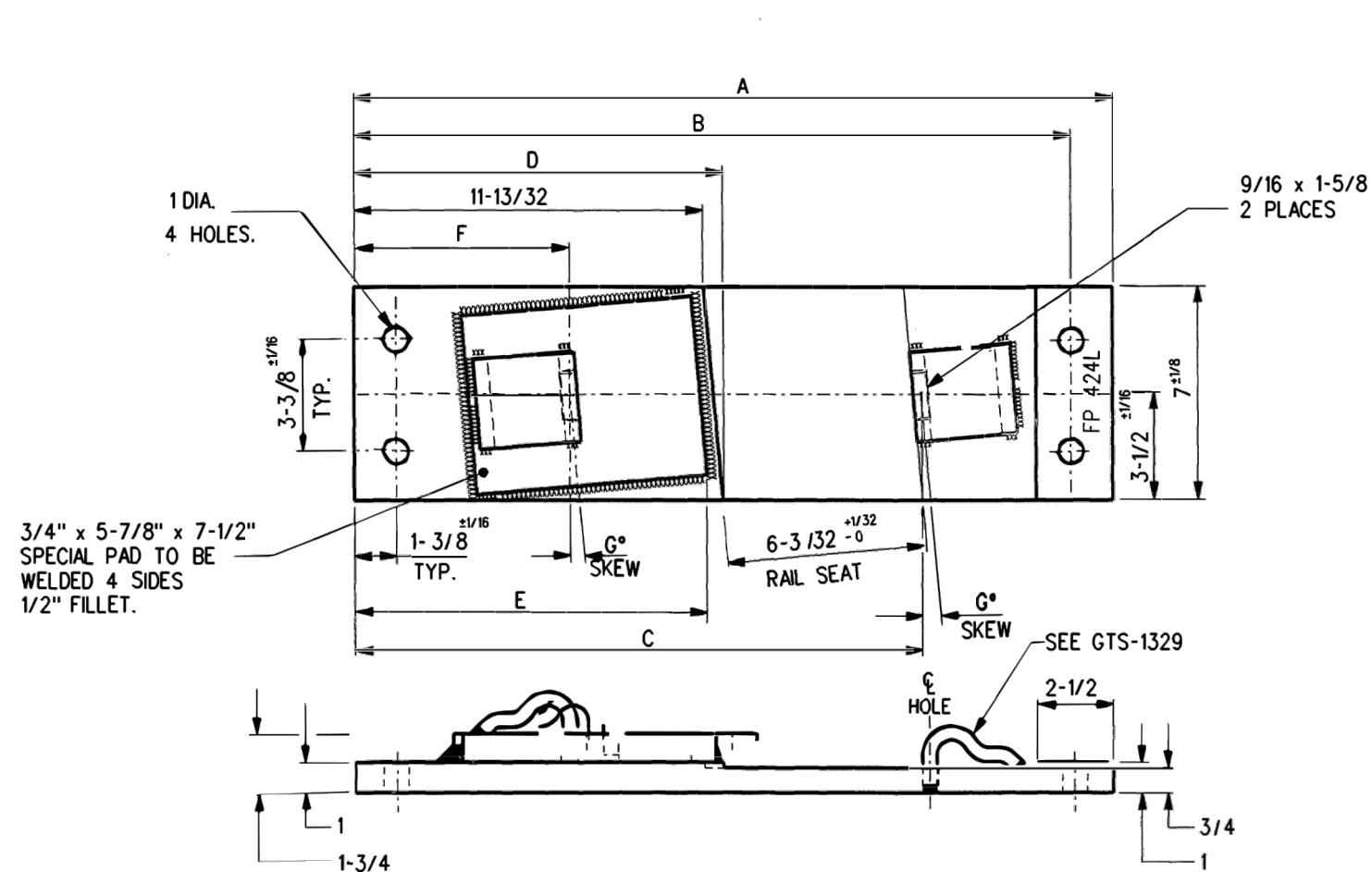
1	18/07/27	ADDED IMPERIAL TO METRIC CONVERSION NOTE	
No.	Date	Revision	By Approved

Standard/ **FROG PLATES RIGHT HAND**

Drawn RFP Checked GGS Approved *[Signature]* VP Engineering & Asset Management



Date DEC 15, 2017 Plan Number GTS-0551 Rev 1



### NOTES

1. WHEN REFERRING TO FROG PLATES, PLAN AND PLATE NUMBERS MUST BE STATED TO INDICATE SPECIFIC PLATE REQUIRED.
2. IDENTIFICATION CHARACTERS (1/2" MINIMUM HEIGHT) TO BE STAMPED ON EACH PLATE AS SHOWN.
3. ALL DIMENSIONS ARE IN INCHES.
4. UNLESS OTHERWISE SPECIFIED ALL TOLERANCES TO BE ±1/32.
5. WHERE APPLICABLE, FROG PLATES TO BE MADE BY WELDING MULTIPLE PLATES TOGETHER, AS SHOWN, OR BY MACHINING A SINGLE PLATE.

### MATERIAL

PLATES TO CONFORM TO THE LATEST REVISION OF GO TRANSIT TRACK STANDARDS OR IN GENERAL WITH LATEST REVISION OF A.S.T.M. SPECIFICATION FOR COMMERCIAL QUALITY HOT ROLLED BAR STEEL A-675 CHEMICAL REQUIREMENT.

	MINIMUM	MAXIMUM
CARBON	0.15 %	0.25 %
MANGANESE	0.30 %	0.60 %
PHOSPHORUS		0.04 %
SULPHUR		0.05 %

PLATES	A	B	C	D	E	F	G	WEIGHT (LBS.)	STOCK NUMBERS	
	±1/8	±1/16							NEW	PART WORN
FP-424L	24	22-5/8	18-1/16	12	11-7/16	7	5°			
FP-456L	24-1/4	22-7/8	18-3/16	12-1/8	11-17/32	7-1/16	6°			
FP-485L	24	22-5/8	17-31/32	11-3/4	11-7/32	6-7/8	3°			
FP-537L	24	22-5/8	18-1/32	11-7/8	11-11/32	6-15/16	4°			

METRIC CONVERSION: 1 inch=25.4mm, 1 foot=304.8mm

1	18/07/27	ADDED IMPERIAL TO METRIC CONVERSION NOTE	
No.	Date	Revision	By Approved

Standard/

**FROG PLATES  
LEFT HAND**

Drawn RFP Checked GGS Approved *[Signature]*  
VP Engineering & Asset Management



Date DEC 15, 2017 Plan Number GTS-0551 Rev 1

REFERENCE: TS-551 Sheet 2 OF 2