

### NOTES

1. WHEN REFERRING TO FROG PLATES, PLAN AND PLATE NUMBERS MUST BE STATED TO INDICATE SPECIFIC PLATE REQUIRED.
2. IDENTIFICATION CHARACTERS (1/2" MINIMUM HEIGHT) TO BE STAMPED ON EACH PLATE AS SHOWN.
3. ALL DIMENSIONS ARE IN INCHES.
4. UNLESS OTHERWISE SPECIFIED ALL TOLERANCES TO BE ± 1/32.

### MATERIAL

PLATES TO CONFORM TO THE LATEST REVISION OF GO TRANSIT TRACK STANDARDS OR IN GENERAL WITH LATEST REVISION OF A.S.T.M. SPECIFICATION FOR COMMERCIAL QUALITY HOT ROLLED BAR STEEL A-675 CHEMICAL REQUIREMENT.

	MINIMUM	MAXIMUM
CARBON	0.15 %	0.25 %
MANGANESE	0.30 %	0.60 %
PHOSPHORUS		0.04 %
SULPHUR		0.05 %

PLATES	A	B	C	D	E	WEIGHT (LBS.)	STOCK NUMBERS	
	± 1/8	± 1/16		± 1/16			NEW	PART WORN
FP-429R	23	21-5/8	16-7/8	1/2	5°			
FP-510R	24	22-5/8	17-7/8	2	6°			

METRIC CONVERSION: 1 inch=25.4mm, 1 foot=304.8mm

1	18/07/27	ADDED IMPERIAL TO METRIC CONVERSION NOTE
No.	Date	Revision
		By Approved

Standard/

FROG PLATES  
RIGHT HAND

Drawn RFP Checked GGS Approved *[Signature]*  
VP Engineering & Asset Management

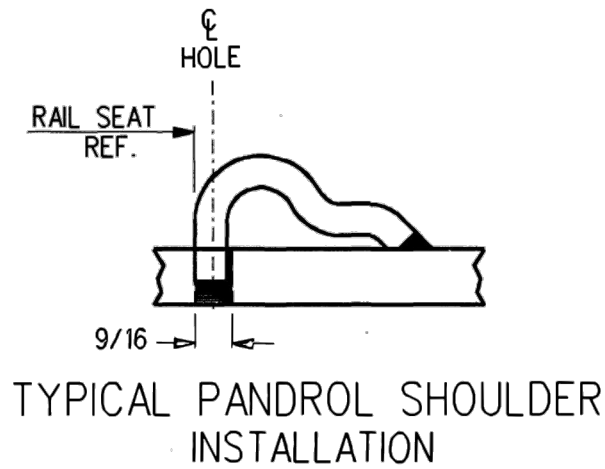
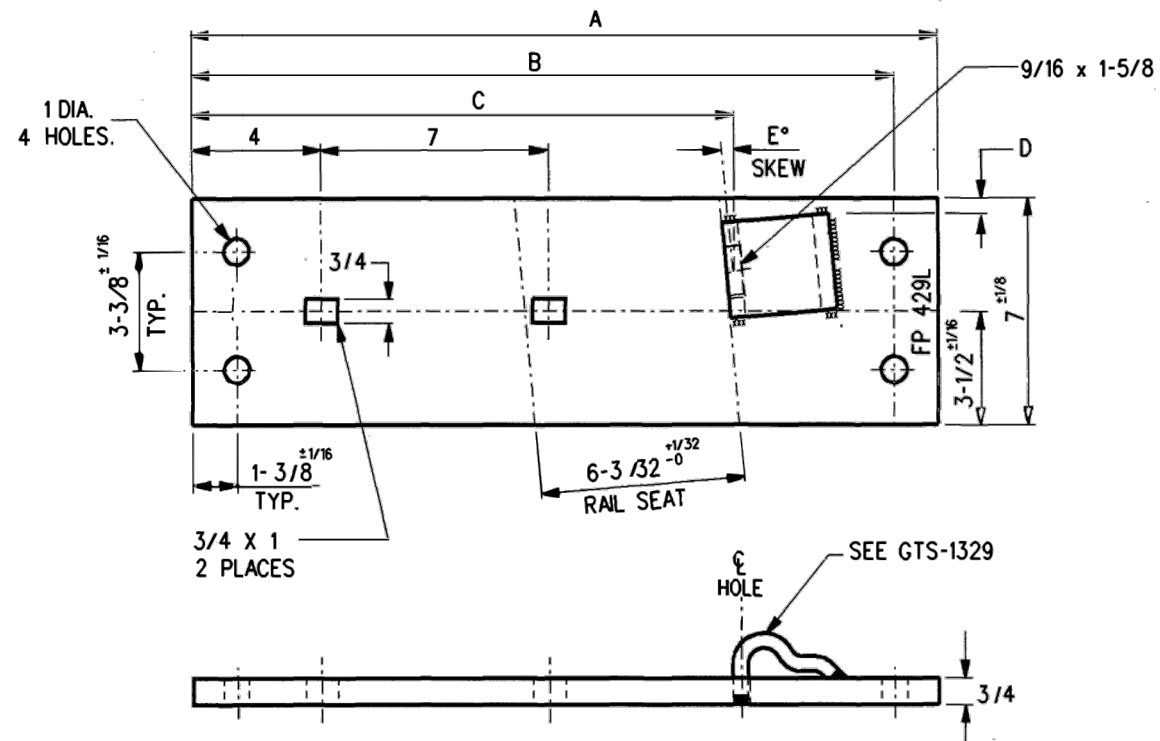


**METROLINX**

Date DEC 15, 2017 Plan Number GTS-0553 Rev 1

REFERENCE: TS-553

Sheet 1 OF 2



**NOTES**

1. WHEN REFERRING TO FROG PLATES, PLAN AND PLATE NUMBERS MUST BE STATED TO INDICATE SPECIFIC PLATE REQUIRED.
2. IDENTIFICATION CHARACTERS ( 1/2" MINIMUM HEIGHT) TO BE STAMPED ON EACH PLATE AS SHOWN.
3. ALL DIMENSIONS ARE IN INCHES.
4. UNLESS OTHERWISE SPECIFIED ALL TOLERANCES TO BE ± 1/32 .

**MATERIAL**

PLATES TO CONFORM TO THE LATEST REVISION OF GO TRANSIT TRACK STANDARDS OR IN GENERAL WITH LATEST REVISION OF A.S.T.M. SPECIFICATION FOR COMMERCIAL QUALITY HOT ROLLED BAR STEEL A-675 CHEMICAL REQUIREMENT.

	MINIMUM	MAXIMUM
CARBON	0.15 %	0.25 %
MANGANESE	0.30 %	0.60 %
PHOSPHORUS		0.04 %
SULPHUR		0.05 %

PLATES	A	B	C	D	E	WEIGHT (LBS.)	STOCK NUMBERS	
	± 1/8	± 1/16		± 1/16			NEW	PART WORN
FP-429L	23	21-5/8	16-7/8	1/2	5°			
FP-510L	24	22-5/8	17-7/8	2	6°			

**METRIC CONVERSION: 1 inch=25.4mm, 1 foot=304.8mm**

1	18/07/27	ADDED IMPERIAL TO METRIC CONVERSION NOTE	
No.	Date	Revision	By Approved

Standard/ **FROG PLATES LEFT HAND**

Drawn RFP Checked GGS Approved *[Signature]* VP Engineering & Asset Management



Date DEC 15, 2017 Plan Number GTS-0553 Rev 1