

### TYPICAL PANDROL SHOULDER INSTALLATION

#### NOTES

1. WHEN REFERRING TO FROG PLATES, PLAN AND PLATE NUMBERS MUST BE STATED TO INDICATE SPECIFIC PLATE REQUIRED.
2. IDENTIFICATION CHARACTERS ( 1/2 "MINIMUM HEIGHT)TO BE STAMPED ON EACH PLATE AS SHOWN.
3. ALL DIMENSIONS ARE IN INCHES
4. THE ENDS OF FROG PLATES TO BE PAINTED WITH INSULATING PAINT AS SHOWN.

#### MATERIAL

PLATES TO CONFORM TO THE LATEST REVISION OF GO TRANSIT TRACK STANDARDS OR IN GENERAL WITH LATEST REVISION OF A.S.T.M. SPECIFICATION FOR COMMERCIAL QUALITY HOT ROLLED BAR STEEL A-675 CHEMICAL REQUIREMENT.

	MINIMUM	MAXIMUM
CARBON	0.15 %	0.25 %
MANGANESE	0.30 %	0.60 %
PHOSPHORUS		0.04 %
SULPHUR		0.05 %

PLATES	A ±1/16	B	C	D	WEIGHT (LBS.)	STOCK NUMBERS	
						NEW	PART WORN
FP-434	54 5/16	47 19/32	40 15/16	0°	82.0		
FP-436R	54 1/4	47 33/64	40 53/64	5°	81.5		
FP-459R	54 19/32	47 17/32	40 7/8	6°	82.0		
FP-496R	54 3/8	47 31/64	40 53/64	3°	81.7		
FP-508	54 5/16	47 33/64	40 55/64	1°	82.0		
FP-530R	54 7/16	47 7/16	40 25/32	4°	81.8		
FP-606R	54-7/8"	47-5/8	40-59/64	7°	82.4		
FP-674	33-1/16	26-15/64	19-37/64	0°	50.0		
FP-704R	54	47-7/16	40-25/32	2°	80.2		

METRIC CONVERSION: 1 inch=25.4mm, 1 foot=304.8mm

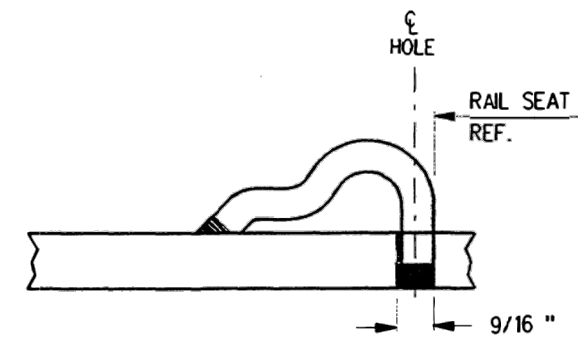
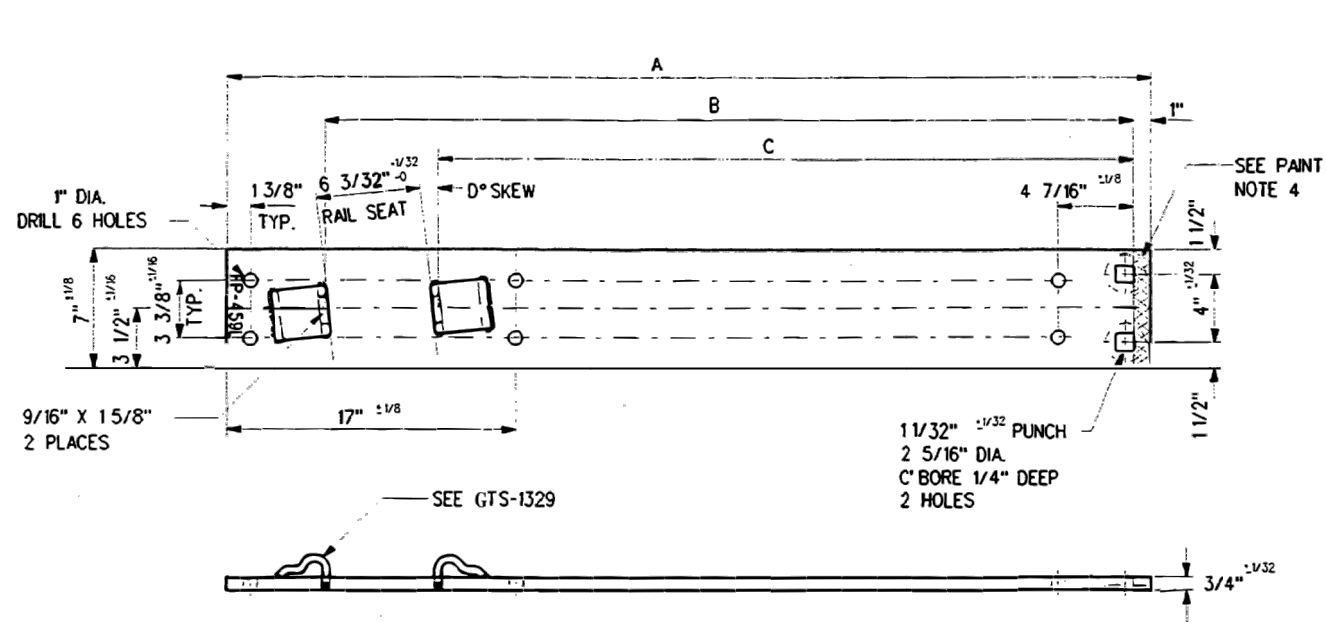
1	18/07/27	ADDED IMPERIAL TO METRIC CONVERSION NOTE
No.	Date	Revision
		By Approved

Standard / **FROG GAUGE PLATES  
RIGHT HAND**

Drawn RFP Checked GGS Approved *[Signature]*  
VP Engineering & Asset Management



Date DEC 15, 2017 Plan Number GTS-0601 Rev 1



### TYPICAL PANDROL SHOULDER INSTALLATION

#### NOTES

1. WHEN REFERRING TO FROG PLATES, PLAN AND PLATE NUMBERS MUST BE STATED TO INDICATE SPECIFIC PLATE REQUIRED.
2. IDENTIFICATION CHARACTERS (1/2" MINIMUM HEIGHT) TO BE STAMPED ON EACH PLATE AS SHOWN.
3. ALL DIMENSIONS ARE IN INCHES
4. THE ENDS OF FROG PLATES TO BE PAINTED WITH INSULATING PAINT AS SHOWN.

#### MATERIAL

PLATES TO CONFORM TO THE LATEST REVISION OF GO TRANSIT TRACK STANDARDS OR IN GENERAL WITH LATEST REVISION OF A.S.T.M. SPECIFICATION FOR COMMERCIAL QUALITY HOT ROLLED BAR STEEL A-675 CHEMICAL REQUIREMENT.

	MINIMUM	MAXIMUM
CARBON	0.15 %	0.25 %
MANGANESE	0.30 %	0.60 %
PHOSPHORUS		0.04 %
SULPHUR		0.05 %

PLATES	A ±1.66	B	C	D	WEIGHT (LBS.)	STOCK NUMBERS	
						NEW	PART WORN
FP-434	54 5/16	47 19/32	40 15/16	0°	82.0		
FP-436L	54 1/4	47 33/64	40 53/64	5°	81.5		
FP-459L	54 19/32	47 17/32	40 7/8	6°	82.0		
FP-496L	54 3/8	47 31/64	40 53/64	3°	81.7		
FP-507	54 5/16	47 33/64	40 55/64	1°	82.0		
FP-530L	54 7/16	47 7/16	40 25/32	4°	81.8		
FP-606L	54-7/8	47-5/8	40-59/64	7°	82.4		
FP-674	33-1/16	26-15/64	19-37/64	0°	50.0		
FP-704L	54	47-7/16	40-25/32	2°	81.2		

METRIC CONVERSION: 1 inch=25.4mm, 1 foot=304.8mm

1	18/07/27	ADDED IMPERIAL TO METRIC CONVERSION NOTE
No.	Date	Revision
		By Approved

Standard / **FROG GAUGE PLATES  
LEFT HAND**

Drawn RFP Checked GGS Approved *[Signature]*  
VP Engineering & Asset Management



Date DEC 15, 2017 Plan Number GTS-0601 Rev 1

REFERENCE: TS-601 Sheet 2 OF 2