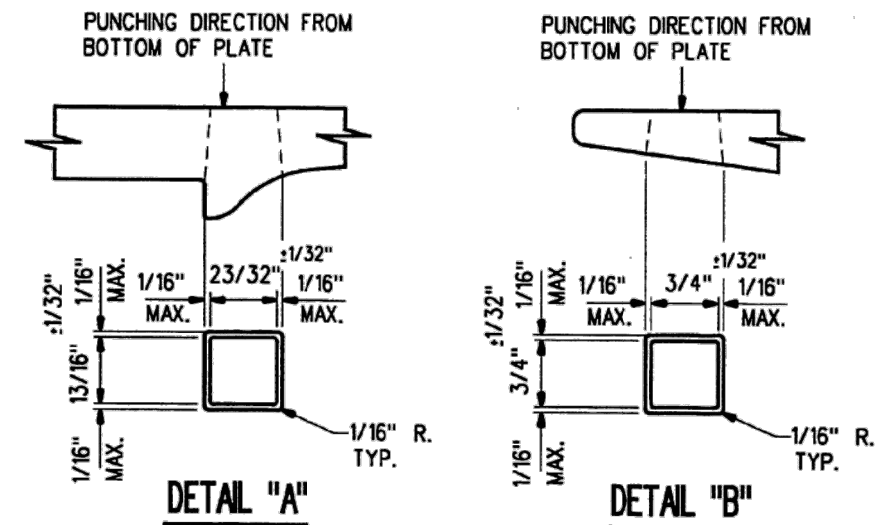


WEIGHT = 20.84 LB / PLATE

TOLERANCES	OVER	UNDER
THICKNESS	1/32	1/32
ROLLED WIDTH	1/8	1/8
SHEARED LENGTH	3/16	3/16
DISTANCE BETWEEN SHOULDERS	1/16	0
HEIGHT OF SHOULDERS	1/64	1/32
SIZE OF SPIKE HOLES	1/32	1/32
DISTANCE BETWEEN SPIKE HOLES	1/32	1/32
LOCATION OF SPIKE HOLES FROM GAUGING SIDE	1/32	1/32
FLATNESS OF RAIL SEAT	0.025	0.025



TOLERANCE DETAILS OF SPIKE HOLES

NOTES

- 1- ALL PLATES TO BE IN ACCORDANCE WITH LATEST GO TRANSIT TRACK STANDARD
- 2- ALL DIMENSIONS ARE IN INCHES.
- 3- UNLESS OTHERWISE SPECIFIED, PLATES SHALL BE SUPPLIED WITHOUT BOTTOM RIBS.

MARKINGS

- 1- 1/2" GO SYMBOL TO BE BRANDED PLAINLY ON EACH PLATE.
- 2- 1/2" MIN. PLATE IDENTIFICATION CHARACTERS TO BE BRANDED PLAINLY AS SHOWN.
- 3- THE MANUFACTURERS IDENTIFICATION LETTER AND THE FIGURES OF THE YEAR TO BE BRANDED PLAINLY IN 1/2" MINIMUM CHARACTERS ON EACH PLATE .
- 4- MANUFACTURERS IDENTIFICATION LETTERS:
 A- ALGOMA STEEL CORPORATION LTD.
 H- STEEL COMPANY OF CANADA LTD.
 D- SYDNEY STEEL CORPORATION
 S- ARKANSAS STEEL ASSOCIATES (SUMITOMO)
- 5- ALL CHARACTERS SHALL BE RAISED 1/32"

METRIC CONVERSION: 1 inch=25.4mm, 1 foot=304.8mm

1	18/07/27	ADDED IMPERIAL TO METRIC CONVERSION NOTE
No.	Date	Revision
		By Approved

Standard / SWITCH PLATE FOR 115 LB. R.E. RAILS

Drawn MG Checked GGS Approved *[Signature]* VP Engineering & Asset Management



Date DEC 15, 2017 Plan Number GTS-617 Rev 1

REFERENCE: TS-617 Sheet 1 OF 1