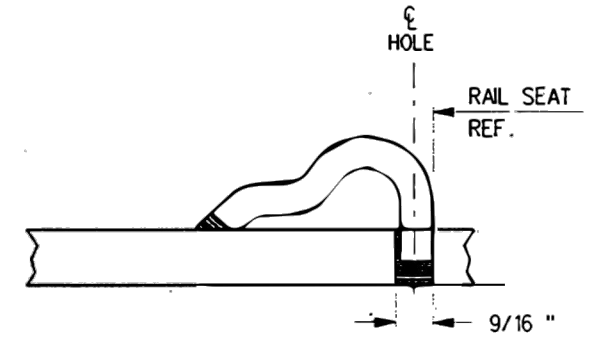


FROG BASE PLATE  
FP-601R

FROG BASE PLATE  
FP-601L



TYPICAL PANDROL SHOULDER  
INSTALLATION

**NOTES**

1. WHEN REFERRING TO FROG BASE PLATES, PLAN AND PLATE NUMBERS MUST BE STATED TO INDICATE SPECIFIC PLATE REQUIRED.
2. IDENTIFICATION CHARACTERS ( 1/2 "MINIMUM HEIGHT ) TO BE STAMPED ON EACH PLATE AS SHOWN.
3. UNLESS OTHERWISE SPECIFIED ALL DIMENSIONS ARE IN INCHES.
4. THE ENDS OF FROG BASE PLATES TO BE PAINTED WITH INSULATING PAINT AS SHOWN.

**MATERIAL**

PLATES TO CONFORM TO THE LATEST REVISION OF GO TRANSIT TRACK STANDARDS OR IN GENERAL WITH LATEST REVISION OF A.S.T.M. SPECIFICATION FOR COMMERCIAL QUALITY HOT ROLLED BAR STEEL A-675 CHEMICAL REQUIREMENT.

	MINIMUM	MAXIMUM
CARBON	0.15 %	0.25 %
MANGANESE	0.30 %	0.60 %
PHOSPHORUS		0.04 %
SULPHUR		0.05 %

0	17/12/15	REVISED PDF VERSION ESTABLISHED	
No.	Date	Revision	By Approved
Standard/		<b>MACHINING FROG BASE PLATES FOR NO 8 R.B.M. FROG 136 LB. R.E. RAILS</b>	
Drawn	MG	Checked	RP
		Approved	<i>RP</i> VP Corridor Infrastructure
		<b>METROLINX</b>	
Date	DEC 15, 2017	Plan Number	GTS-0633
		Rev	0
REFERENCE: TS-633		Sheet 1 OF 1	