

**NOTES**

1. WHEN REFERRING TO FROG PLATES, PLAN AND PLATE NUMBERS MUST BE STATED TO INDICATE SPECIFIC PLATE REQUIRED.
2. IDENTIFICATION CHARACTERS (1/2" MINIMUM HEIGHT) TO BE STAMPED ON EACH PLATE AS SHOWN.
3. ALL DIMENSIONS ARE IN INCHES.
4. UNLESS OTHERWISE SPECIFIED ALL TOLERANCES TO BE ±1/32.

**MATERIAL**

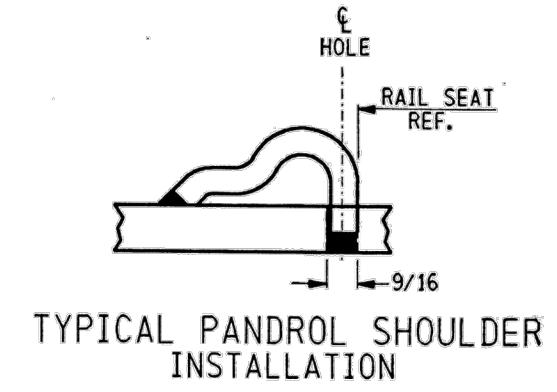
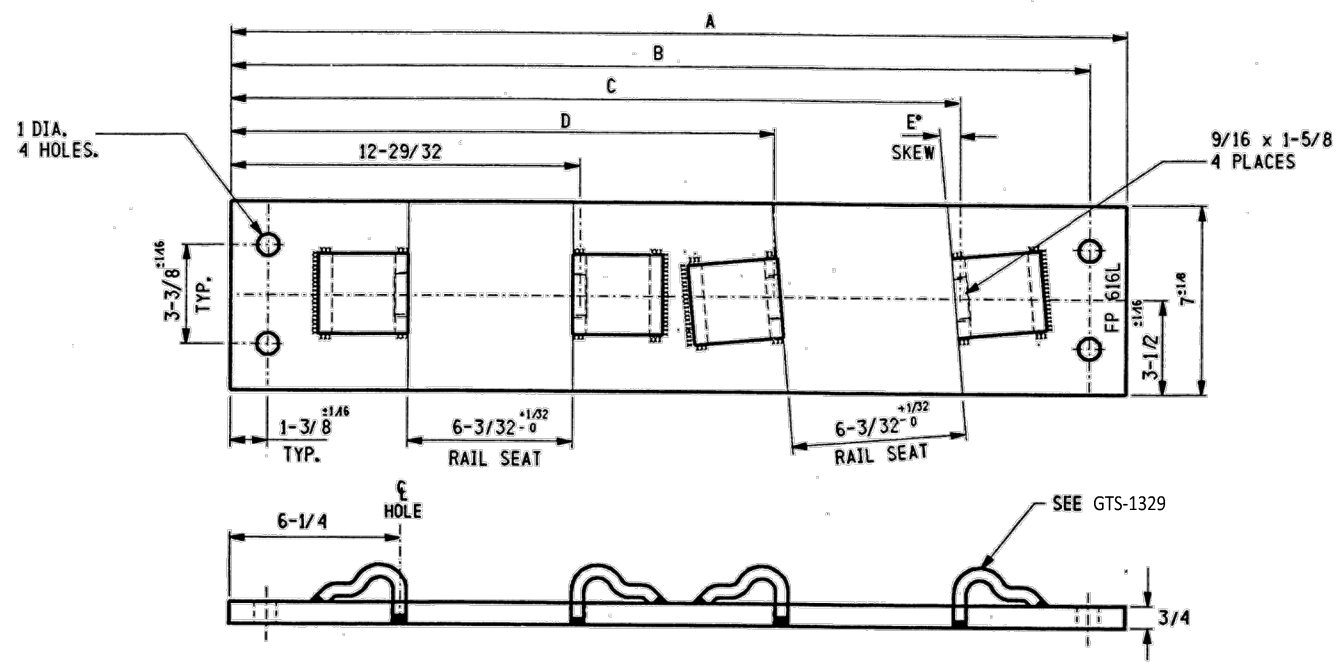
PLATES TO CONFORM TO THE LATEST REVISION OF GO TRANSIT TRACK STANDARDS OR IN GENERAL WITH LATEST REVISION OF A.S.T.M. SPECIFICATION FOR COMMERCIAL QUALITY HOT ROLLED BAR STEEL A-675 CHEMICAL REQUIREMENT.

	MINIMUM	MAXIMUM
CARBON	0.15 %	0.25 %
MANGANESE	0.30 %	0.60 %
PHOSPHORUS		0.04 %
SULPHUR		0.05 %

PLATES	A	B	C	D	E	WEIGHT (LBS.)	STOCK NUMBERS	
	±1/8	±1/16					NEW	PART WORN
FP-616R	33	31-5/8	26-9/16	19-57/64	5"			

0	17/12/15	REVISED PDF VERSION ESTABLISHED	
No.	Date	Revision	By Approved
Standard/		RIGHT HAND FROG PLATES FOR CONCRETE TIE TURNOUTS	
Drawn	Checked	Approved	
MG	GGG	KBL	VP Corridor Infrastructure
Date DEC 15, 2017		Plan Number GTS-0650	Rev 0
REFERENCE: TS-650		Sheet 1 OF 2	





**NOTES**

1. WHEN REFERRING TO FROG PLATES, PLAN AND PLATE NUMBERS MUST BE STATED TO INDICATE SPECIFIC PLATE REQUIRED.
2. IDENTIFICATION CHARACTERS (1/2" MINIMUM HEIGHT) TO BE STAMPED ON EACH PLATE AS SHOWN.
3. ALL DIMENSIONS ARE IN INCHES.
4. UNLESS OTHERWISE SPECIFIED ALL TOLERANCES TO BE  $\pm 1/32$ .

**MATERIAL**

PLATES TO CONFORM TO THE LATEST REVISION OF GO TRANSIT TRACK STANDARDS OR IN GENERAL WITH LATEST REVISION OF A.S.T.M. SPECIFICATION FOR COMMERCIAL QUALITY HOT ROLLED BAR STEEL A-675 CHEMICAL REQUIREMENT.

	MINIMUM	MAXIMUM
CARBON	0.15 %	0.25 %
MANGANESE	0.30 %	0.60 %
PHOSPHORUS		0.04 %
SULPHUR		0.05 %

PLATES	A	B	C	D	E	WEIGHT (LBS.)	STOCK NUMBERS	
	$\pm 1/8$	$\pm 1/16$					NEW	PART WORN
FP-616L	33	31-5/8	26-9/16	19-57/64	5"			

0	17/12/15	REVISED PDF VERSION ESTABLISHED	
No.	Date	Revision	By Approved
Standard		LEFT HAND FROG PLATES FOR CONCRETE TIE TURNOUTS	
Drawn	MG	Checked	Approved
		GGG	KBL/VP Corridor Infrastructure
Date		Plan Number	Rev
DEC 15, 2017		GTS-0650	0
REFERENCE: TS-650			Sheet 2 OF 2

