

**FROG
BASE PLATE
FP-625R**

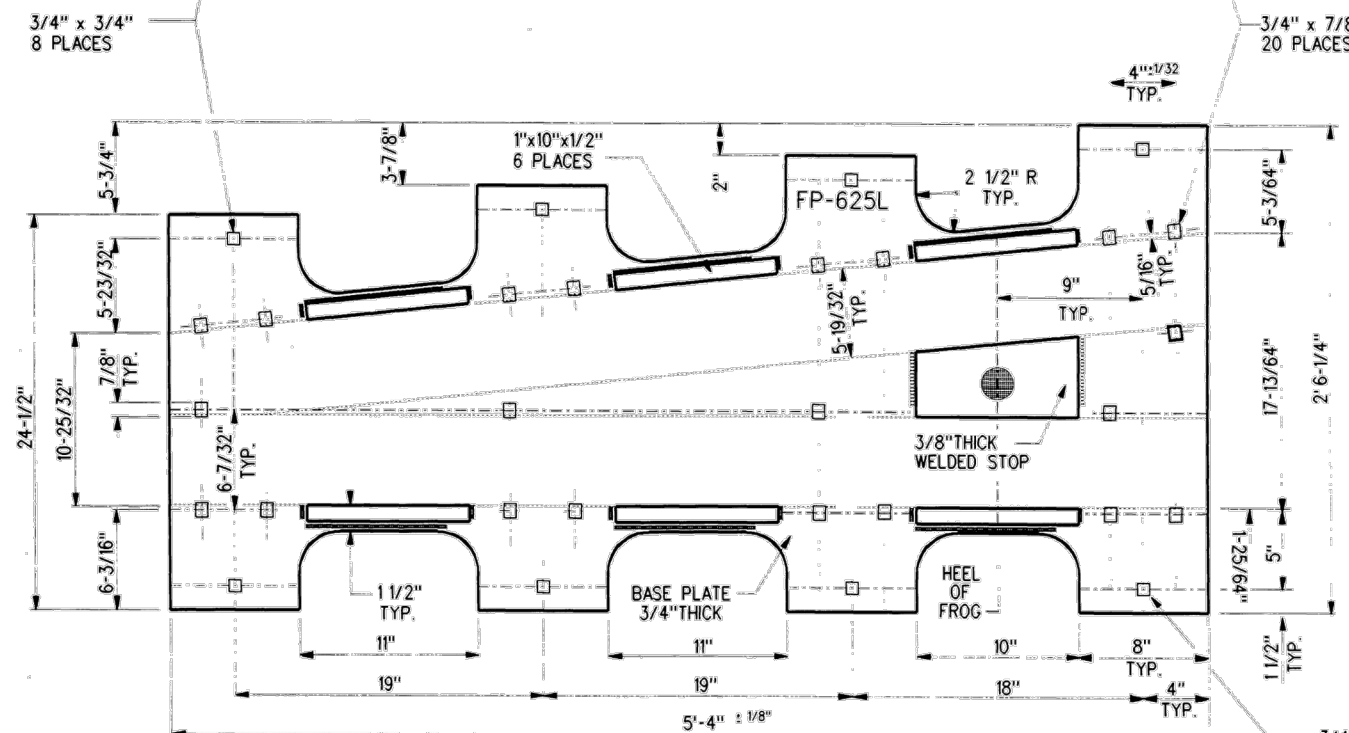
NOTES

1. WHEN REFERRING TO FROG BASE PLATES, PLAN AND PLATE NUMBERS MUST BE STATED TO INDICATE SPECIFIC PLATE REQUIRED.
2. IDENTIFICATION CHARACTERS (1/2 "MINIMUM HEIGHT) TO BE STAMPED ON EACH PLATE AS SHOWN.
3. UNLESS OTHERWISE SPECIFIED ALL DIMENSIONS ARE IN INCHES.

MATERIAL

PLATES TO CONFORM TO THE LATEST REVISION OF GO TRANSIT TRACK STANDARDS OR IN GENERAL WITH LATEST REVISION OF A.S.T.M. SPECIFICATION FOR COMMERCIAL QUALITY HOT ROLLED BAR STEEL A-675 CHEMICAL REQUIREMENT.

| | MINIMUM | MAXIMUM |
|------------|---------|---------|
| CARBON | 0.15 % | 0.25 % |
| MANGANESE | 0.30 % | 0.60 % |
| PHOSPHORUS | | 0.04 % |
| SULPHUR | | 0.05 % |



**FROG
BASE PLATE
FP-625L**

| | | | |
|-------------------|----------|---|---|
| 0 | 17/12/15 | REVISED PDF VERSION ESTABLISHED | |
| No. | Date | Revision | By Approved |
| Standard | | MACHINING FROG BASE PLATES FOR NO 10 SPRING FROG 115 LB.R.E.RAIL | |
| Drawn | MG | Checked | Approved <i>GGG</i> VP Corridor Infrastructure |
| Date | | Plan Number | Rev |
| DEC 15, 2017 | | GTS-0656 | 0 |
| REFERENCE: TS-656 | | Sheet 1 OF 1 | |

