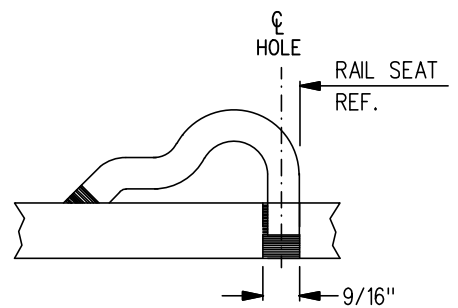


**WELDED BLOCK  
DETAIL**

**FROG  
BASE PLATE  
FP-662R**

WELDED BLOCKS	DIMENSION "A"	DIMENSION "B"	DIMENSION "C"
BLOCK "A"	2 1/2"	6 5/8"	2"
BLOCK "B"	3"	3 13/16"	2"
BLOCK "C"	3"	4 5/16"	--



**TYPICAL PANDROL SHOULDER  
INSTALLATION**

**NOTES**

1. WHEN REFERRING TO FROG BASE PLATES, PLAN AND PLATE NUMBERS MUST BE STATED TO INDICATE SPECIFIC PLATE REQUIRED.
2. IDENTIFICATION CHARACTERS (1/2" MINIMUM HEIGHT) TO BE STAMPED ON EACH PLATE AS SHOWN.
3. UNLESS OTHERWISE SPECIFIED ALL DIMENSIONS ARE IN INCHES.

**MATERIAL**

PLATES TO CONFORM TO THE LATEST REVISION OF GO TRACK STANDARDS OR IN GENERAL WITH LATEST REVISION OF A.S.T.M. SPECIFICATION FOR COMMERCIAL QUALITY HOT ROLLED BAR STEEL A-675 CHEMICAL REQUIREMENT.

	MINIMUM	MAXIMUM
CARBON	0.15 %	0.25 %
MANGANESE	0.30 %	0.60 %
PHOSPHORUS		0.04 %
SULPHUR		0.05 %

**FROG  
BASE PLATE  
FP-662L**

0	17/09/15	DWG VERSION ESTABLISHED	
No.	Date	Revision	By Approved
<b>MACHINING FROG BASE PLATES FOR NO. 6 RBM FROG 8 ON 10-136 LB. LAP TURNOUT</b>			
Drawn	MG	Checked	GS
		Approved	<i>[Signature]</i> VP Corridor Infrastructure
Date	SEPT 15/2017	Plan Number	GTS-0682
		Rev	0
REFERENCE: TS-0682_R0			Sheet 1 OF 1