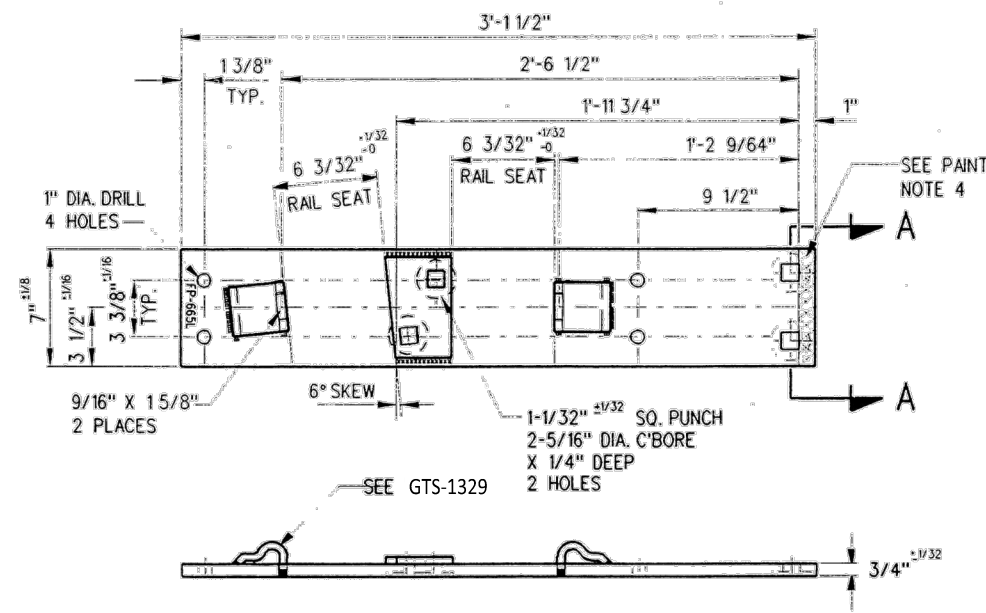
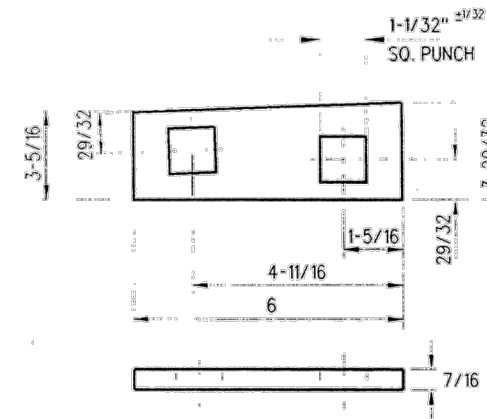


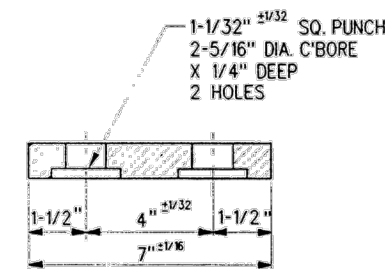
FROG GAUGE PLATE
FP-665R



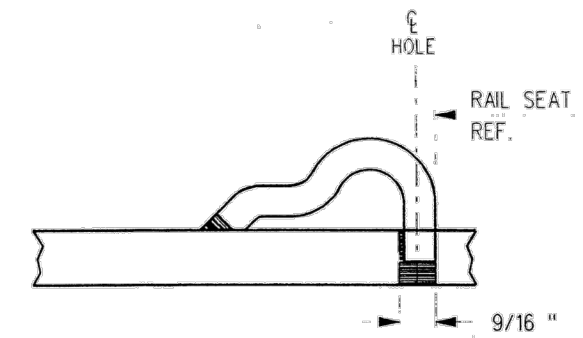
FROG GAUGE PLATE
FP-665L



DETAIL



SECTION A-A



TYPICAL PANDROL SHOULDER
INSTALLATION

NOTES

1. WHEN REFERRING TO FROG PLATES, PLAN AND PLATE NUMBERS MUST BE STATED TO INDICATE SPECIFIC PLATE REQUIRED.
2. IDENTIFICATION CHARACTERS (1/2" MINIMUM HEIGHT) TO BE STAMPED ON EACH PLATE AS SHOWN.
3. ALL DIMENSIONS ARE IN INCHES
4. THE ENDS OF FROG PLATES TO BE PAINTED WITH INSULATING PAINT AS

MATERIAL

PLATES TO CONFORM TO THE LATEST REVISION OF GO TRANSIT TRACK STANDARDS OR IN GENERAL WITH LATEST REVISION OF A.S.T.M. SPECIFICATION FOR COMMERCIAL QUALITY HOT ROLLED BAR STEEL A-675 CHEMICAL REQUIREMENT.

	MINIMUM	MAXIMUM
CARBON	0.15 %	0.25 %
MANGANESE	0.30 %	0.60 %
PHOSPHORUS		0.04 %
SULPHUR		0.05 %

0	17/12/15	REVISED PDF VERSION ESTABLISHED	
No.	Date	Revision	By Approved

Standard / **FROG GAUGE PLATES**

Drawn MG Checked GGS Approved *KBL*
VP Corridor Infrastructure



Date DEC 15, 2017 Plan Number GTS-0686 Rev 0

REFERENCE: TS-686

Sheet 1 OF 1