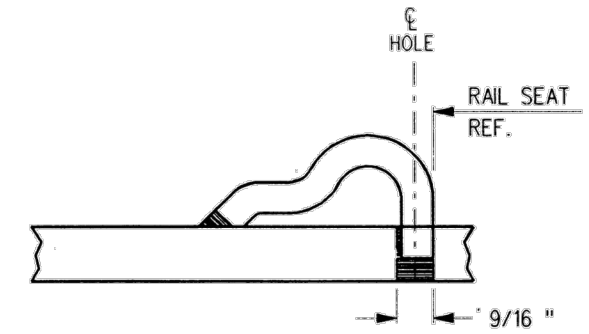


SECTION A-A



TYPICAL PANDROL SHOULDER
INSTALLATION

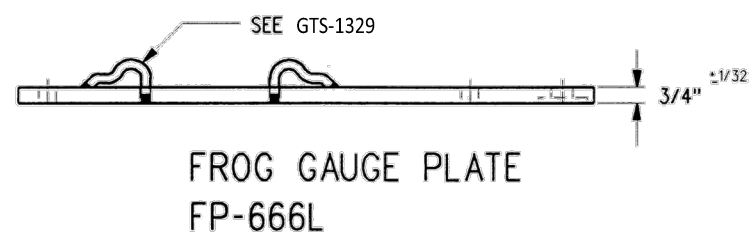
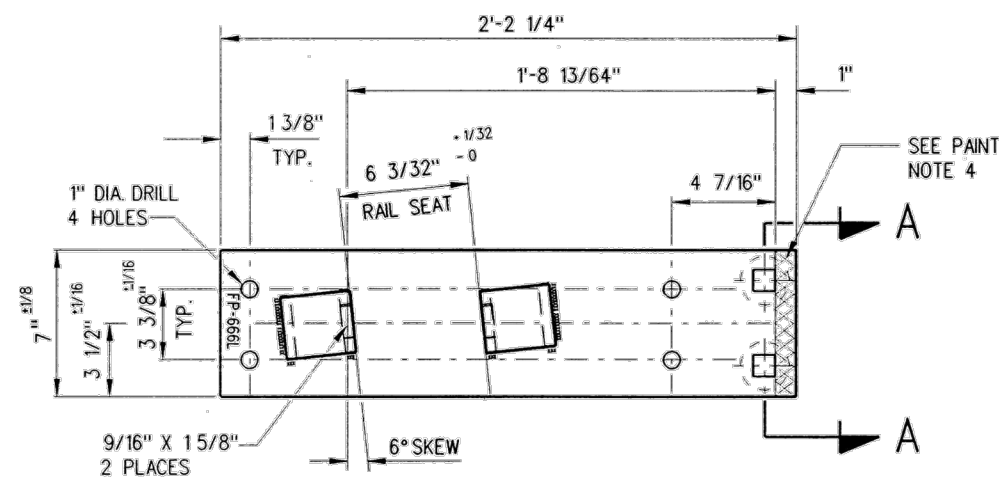
NOTES

1. WHEN REFERRING TO FROG PLATES, PLAN AND PLATE NUMBERS MUST BE STATED TO INDICATE SPECIFIC PLATE REQUIRED.
2. IDENTIFICATION CHARACTERS (1/2 "MINIMUM HEIGHT)TO BE STAMPED ON EACH PLATE AS SHOWN.
3. ALL DIMENSIONS ARE IN INCHES
4. THE ENDS OF FROG PLATES TO BE PAINTED WITH INSULATING PAINT AS SHOWN

MATERIAL

PLATES TO CONFORM TO THE LATEST REVISION OF GO TRANSIT TRACK STANDARDS OR IN GENERAL WITH LATEST REVISION OF A.S.T.M. SPECIFICATION FOR COMMERCIAL QUALITY HOT ROLLED BAR STEEL A-675 CHEMICAL REQUIREMENT.

	MINIMUM	MAXIMUM
CARBON	0.15 %	0.25 %
MANGANESE	0.30 %	0.60 %
PHOSPHORUS		0.04 %
SULPHUR		0.05 %



0	17/12/15	REVISED PDF VERSION ESTABLISHED	
No.	Date	Revision	By Approved
Standard		FROG GAUGE PLATES	
Drawn	MG	Checked	GGG
		Approved	<i>KBL</i> VP Corridor Infrastructure
Date		Plan Number	Rev
DEC 15, 2017		GTS-0687	0
REFERENCE: TS-687			Sheet 1 OF 1