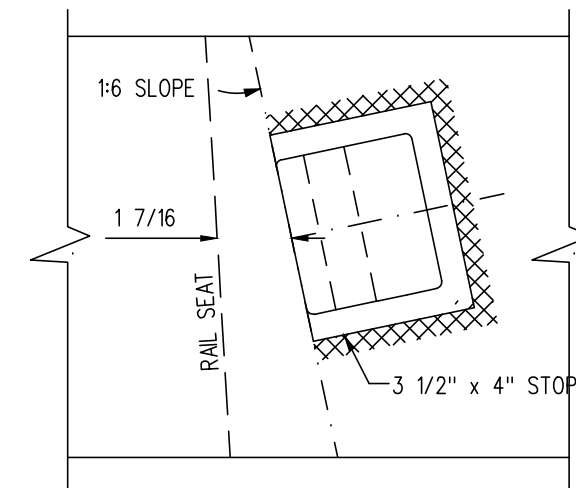


FROG PLATE

PLATES	A	B	C	D	E	WEIGHT (LBS.)	REPLACED BY	
	±1/16	±1/32	±1/32	±1/32	±1/32		MARK No.	GTS DWG.
FP-855R	36-1/2	12-11/16	11-3/4	12-1/2	11-1/4	69.0		
FP-856R	39-3/8	12-5/32	14-29/32	12-7/16	13-17/32	73.0		
FP-858R	40	12-27/32	15-1/32	12-1/8	15-11/16	75.0		
FP-859R	41-1/4	12-1/4	16-21/32	12-1/4	15-27/32	77.0		
FP-860R	43	12-7/32	18-9/16	12-7/32	17-3/4	80.0		
FP-861R	45	12-7/32	20-15/32	12-7/32	19-21/32	84.0		
FP-862R	46	12-9/32	22-3/8	12-9/32	21-9/16	86.0		
FP-901R	46-3/4	12-1/32	24-3/32	12-27/32	21-17/32	88.0		
FP-902R	43-1/2	12	20-1/4	12-1/16	19-5/16	83.0		
FP-903R	41-1/2	12	18-5/32	12-1/16	17-7/32	79.0		
FP-905R	42	12-1/32	17-7/16	10-21/32	19-9/32	80.0		
FP-906R	42	10-27/32	20-15/32	14-31/32	11-7/32	80.0		
FP-907R	35-3/4	12	11-11/16	11-3/16	12-1/2	70.0		



TYPICAL SHOULDER INSTALLATION

NOTES

1. WHEN REFERRING TO FROG PLATES, PLAN AND PLATE NUMBERS MUST BE STATED TO INDICATE SPECIFIC PLATE REQUIRED.
2. IDENTIFICATION CHARACTERS (1/2" MINIMUM HEIGHT) TO BE STAMPED ON EACH PLATE AS SHOWN.
3. ALL DIMENSIONS ARE IN INCHES.
4. UNLESS OTHERWISE SPECIFIED ALL TOLERANCES TO BE ±1/32.
5. TOLERANCES ARE NOT TO EXCEED THOSE INDICATED IN THE GO TOLERANCE DRAWINGS.
6. PLATE TO BE PAINTED WITH INSULATION PAINT ON 5 SIDES OF END AS SHOWN

MATERIAL

PLATES TO CONFORM TO THE LATEST REVISION OF A.S.T.M. SPECIFICATION A-36 FOR COMMERCIAL QUALITY HOT ROLLED BAR STEEL CHEMICAL REQUIREMENT.

	MINIMUM	MAXIMUM
CARBON	0.25 %	0.29 %
MANGANESE	0.60 %	1.20 %
PHOSPHORUS		0.04 %
SULPHUR		0.05 %
SILICON		0.40 %

0	17/09/15	DWG VERSION ESTABLISHED	
No.	Date	Revision	By Approved
Standard/		FROG PLATES RIGHT HAND	
Drawn	PCV	Checked	DL
		Approved	<i>MBLL</i> VP Corridor Infrastructure
Date	SEPT 15/2017	Plan Number	GTS-0694
		Rev	0
REFERENCE: CN_TS-0694		Sheet 5 OF 8	