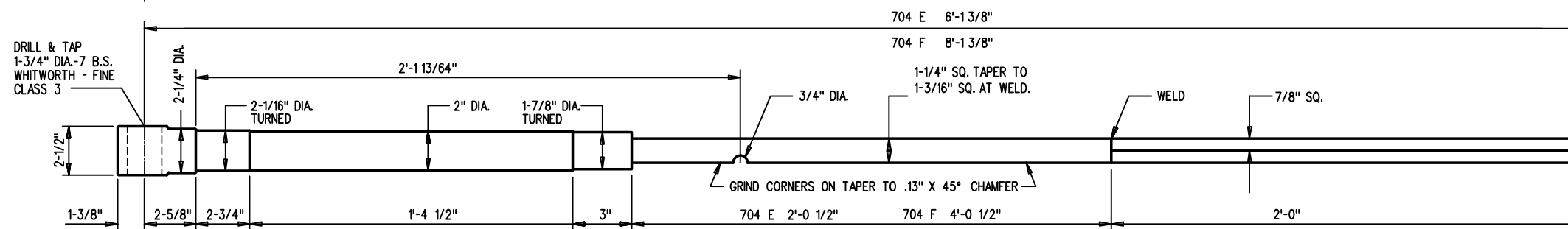


TS-704A MAST FOR No. 31 B SWITCH STAND (6'-0" TOP OF TIE TO TOP OF MAST)  
 TS-704B MAST FOR No. 31 B SWITCH STAND (8'-0" TOP OF TIE TO TOP OF MAST)



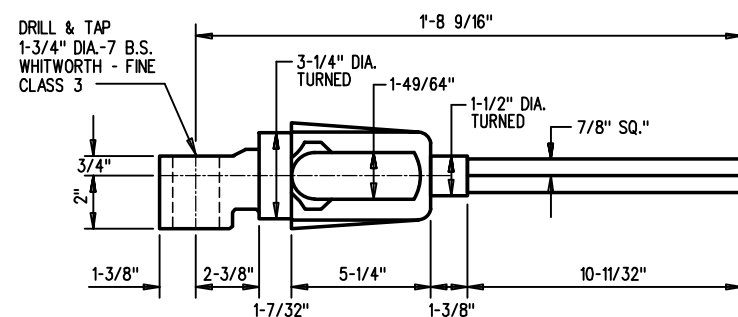
TS-704E MAST FOR No. 17 B SWITCH STAND (6'-0" TOP OF TIE TO TOP OF MAST)  
 TS-704F MAST FOR No. 17 B SWITCH STAND (8'-0" TOP OF TIE TO TOP OF MAST)

**NOTES**

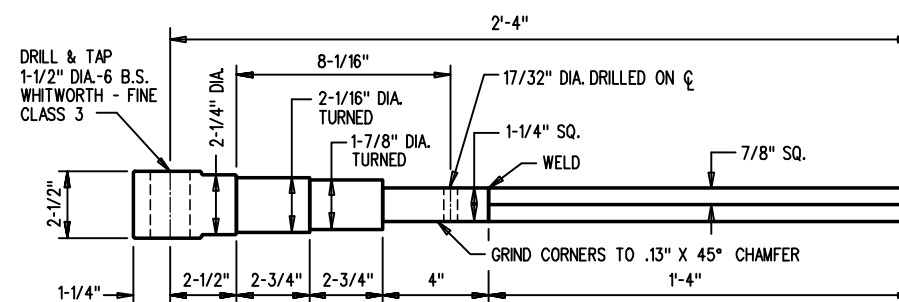
- 1 - WHEN REFERRING TO SWITCH STAND MASTS, DRAWING NUMBER MUST BE STATED AS A, B, C, ETC.....TO INDICATE SPECIFIC MAST REQUIRED.
- 2 - SPINDLES AND MASTS SHALL BE A ONE PIECE FORGING EXCEPT WHERE "WELD" IS INDICATED BY DRAWING.
- 3 - MATERIAL : MASTS - C 1035 STEEL CRANK EYE BOLT - SAE 1045.

**STOCK NUMBERS**

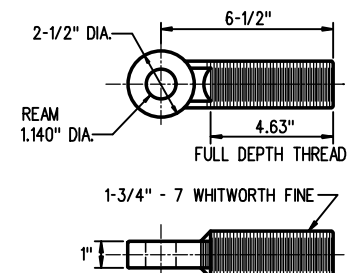
MAST	NEW	SECOND HAND
TS-704 A	01-29-053	01-29-052
TS-704 B	N/A	N/A
TS-704 C	01-29-111	N/A
TS-704 D	N/A	N/A
TS-704 E	01-29-092	N/A
TS-704 F	N/A	N/A
TS-704 H	N/A	N/A



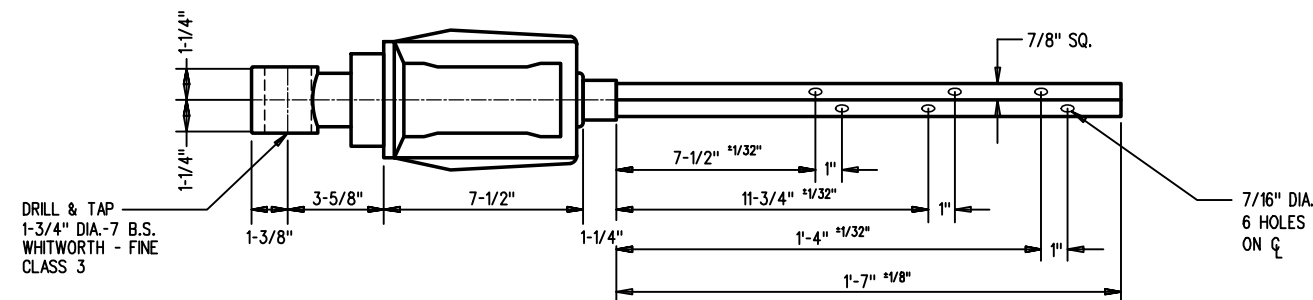
TS-704C MAST FOR No. 36 D SWITCH STAND



TS-704D MAST FOR No. 20 B SWITCH STAND



CRANK EYE BOLT



TS-704H MAST FOR No. 22 SWITCH STAND

0	17/12/15	REVISED PDF VERSION ESTABLISHED
No.	Date	Revision
		By Approved
Standard/		<b>SWITCH STAND MASTS</b>
Drawn	Checked	Approved
MG	GGG	<i>MBL</i> VP Corridor Infrastructure
Date		Plan
DEC 15, 2017		Number
		GTS-0704 A/H Rev 0
REFERENCE: TS-704 A/H		Sheet 1 OF 1