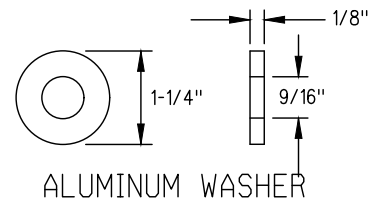
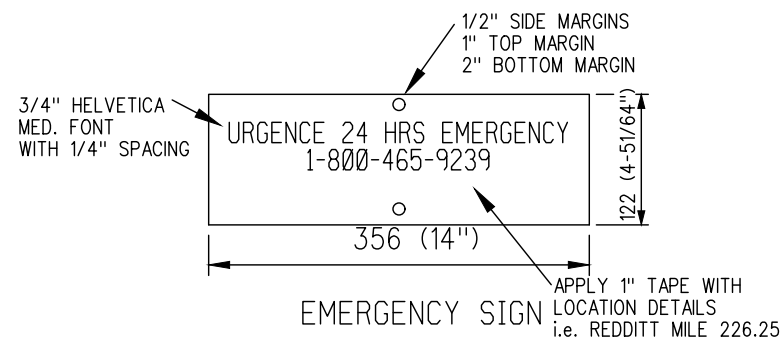


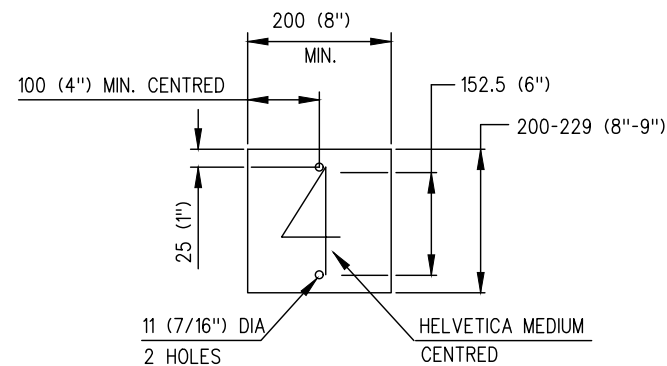
CADMIUM PLATED 1/2" BOLT



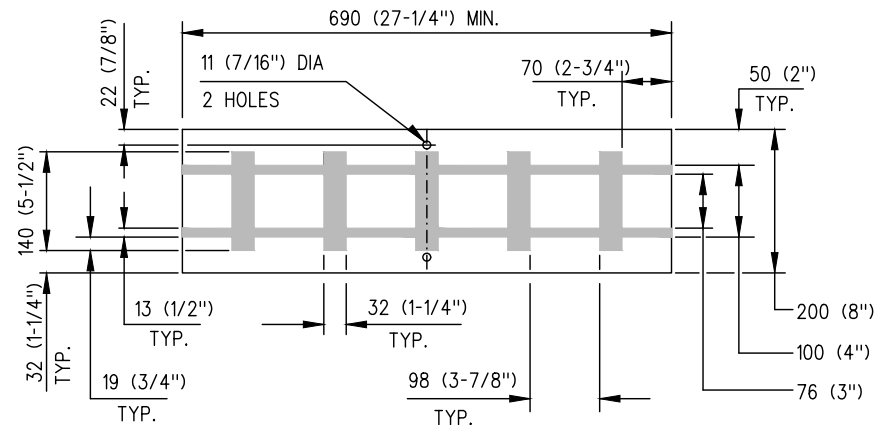
ALUMINUM WASHER



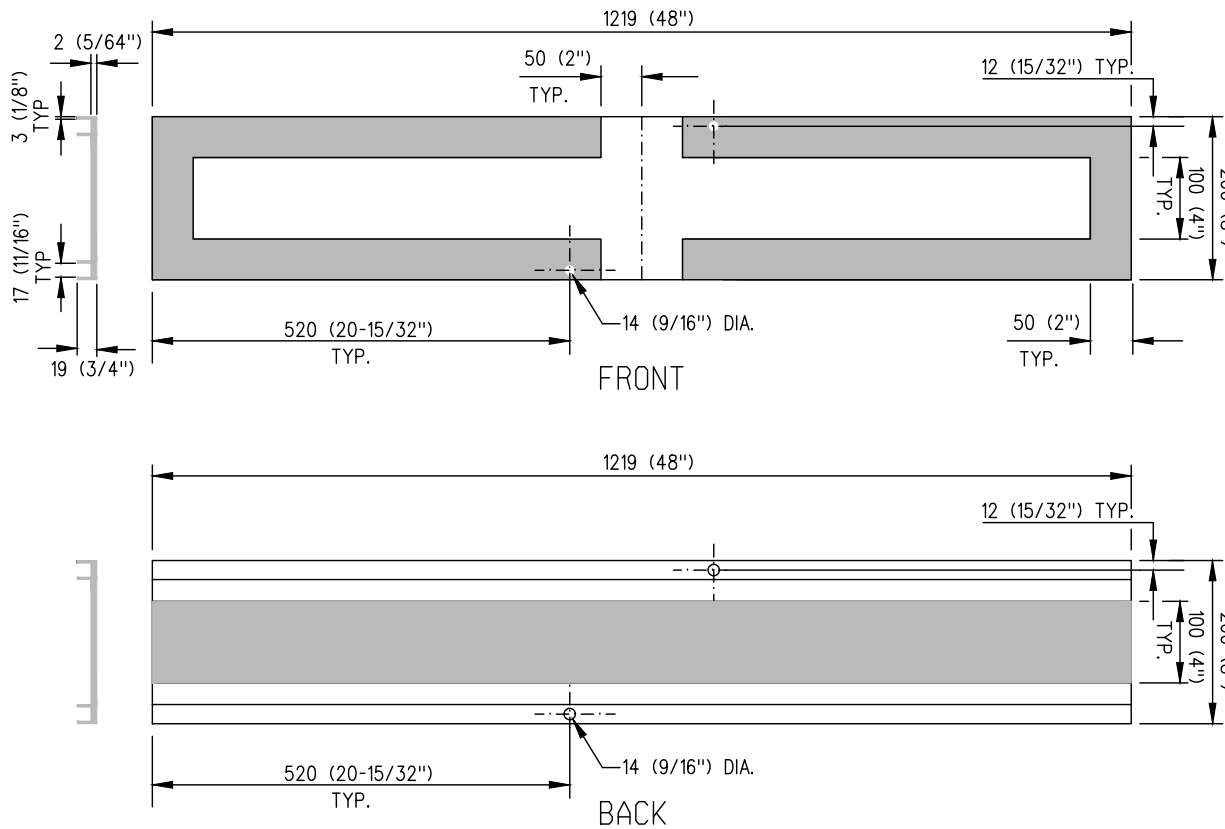
EMERGENCY SIGN



HELVETICA MEDIUM CENTRED



NUMBER OF TRACKS SIGNS



FRONT

BACK

SPECIFICATIONS:

NUMBER OF TRACKS SIGNS:

SHALL BE MADE OF SHALL BE MADE OF EXTRUDED ALUMINUM-ALLOY TO ASCM SPECIFICATION B209-58T, ALLOY DESIGNATION GS11A OR EQUIVALENT, AND FINISHED TO THE DIMENSIONS SHOWN ON THE PLAN.

FASTENINGS:

CROSS-ARMS SHALL BE FASTENED TO POST WITH TWO 1/2" DIAMETER CADMIUM PLATED STEEL BOLTS AND FOUR ALUMINUM OR CADMIUM PLATED STEEL WASHERS TO THE DIMENSIONS SHOWN ON THE PLAN. STEEL BOLTS OTHER THAN CADMIUM WILL BE ACCEPTED IF THEY ARE NON-CORROSIVE IN THE PRESENCE OF ALUMINUM.

NUMBER OF TRACK SIGNS SHALL BE FASTENED TO THE POST WITH FOUR 3/8" x 2" CADMIUM PLATED STEEL LAG SCREWS AND FOUR 7/16" I.D.:1" O.D. CADMIUM PLATED STEEL WASHERS. LAG SCREWS OTHER THAN CADMIUM PLATED STEEL WILL BE ACCEPTED IF THEY ARE NON-CORROSIVE IN THE PRESENCE OF ALUMINUM.

CROSS-ARMS:

SHALL BE MADE OF EXTRUDED ALUMINUM-ALLOY TO ASTM SPECIFICATION B221-58T, ALLOY DESIGNATION GS10A OR EQUIVALENT, AND FINISHED TO THE DIMENSIONS SHOWN ON THE PLAN.

DESCRIPTION	UNIT OF ISSUE	REMARKS
CROSSARM SIGN	PAIR	INCLUDES DECAL & FASTENING HARDWARE
CROSSARM DECAL	EACH	REPLACEMENT DECAL
TRACK SIGN	EACH	INCLUDES DECAL & FASTENING HARDWARE
TRACK DECAL	EACH	REPLACEMENT DECAL
REFLECTIVE STRIP FOR POST	EACH	REQUIRES 2 STRIPS PER POST (1 FOR FRONT AND 1 FOR BACK)
REFLECTIVE TAPE FOR CROSSBUCKS	EACH	SUFFICIENT TAPE FOR 1 CROSSBUCK
EMERGENCY SIGN	EACH	INCLUDES DECAL & FASTENING HARDWARE
NO.2 SIGN	EACH	INCLUDES DECAL & FASTENING HARDWARE
NO.3 SIGN	EACH	INCLUDES DECAL & FASTENING HARDWARE
NO.4 SIGN	EACH	INCLUDES DECAL & FASTENING HARDWARE
NO.5 SIGN	EACH	INCLUDES DECAL & FASTENING HARDWARE
NO.6 SIGN	EACH	INCLUDES DECAL & FASTENING HARDWARE
NO.2 DECAL	EACH	REPLACEMENT DECAL
NO.3 DECAL	EACH	REPLACEMENT DECAL
NO.4 DECAL	EACH	REPLACEMENT DECAL
NO.5 DECAL	EACH	REPLACEMENT DECAL
NO.6 DECAL	EACH	REPLACEMENT DECAL
NO.7 DECAL	EACH	REPLACEMENT DECAL

METRIC CONVERSION: 1 inch=25.4mm, 1 foot=304.8mm

No.	Date	Revision	By	Approved
1	18/07/27	ADDED IMPERIAL TO METRIC CONVERSION NOTE		

Standard / STANDARD CROSSING SIGN DETAILS

Drawn MG Checked GGS Approved *WLL* VP Engineering & Asset Management

Date SEPT 15/2017 Plan Number GTS-0724 Rev 1

