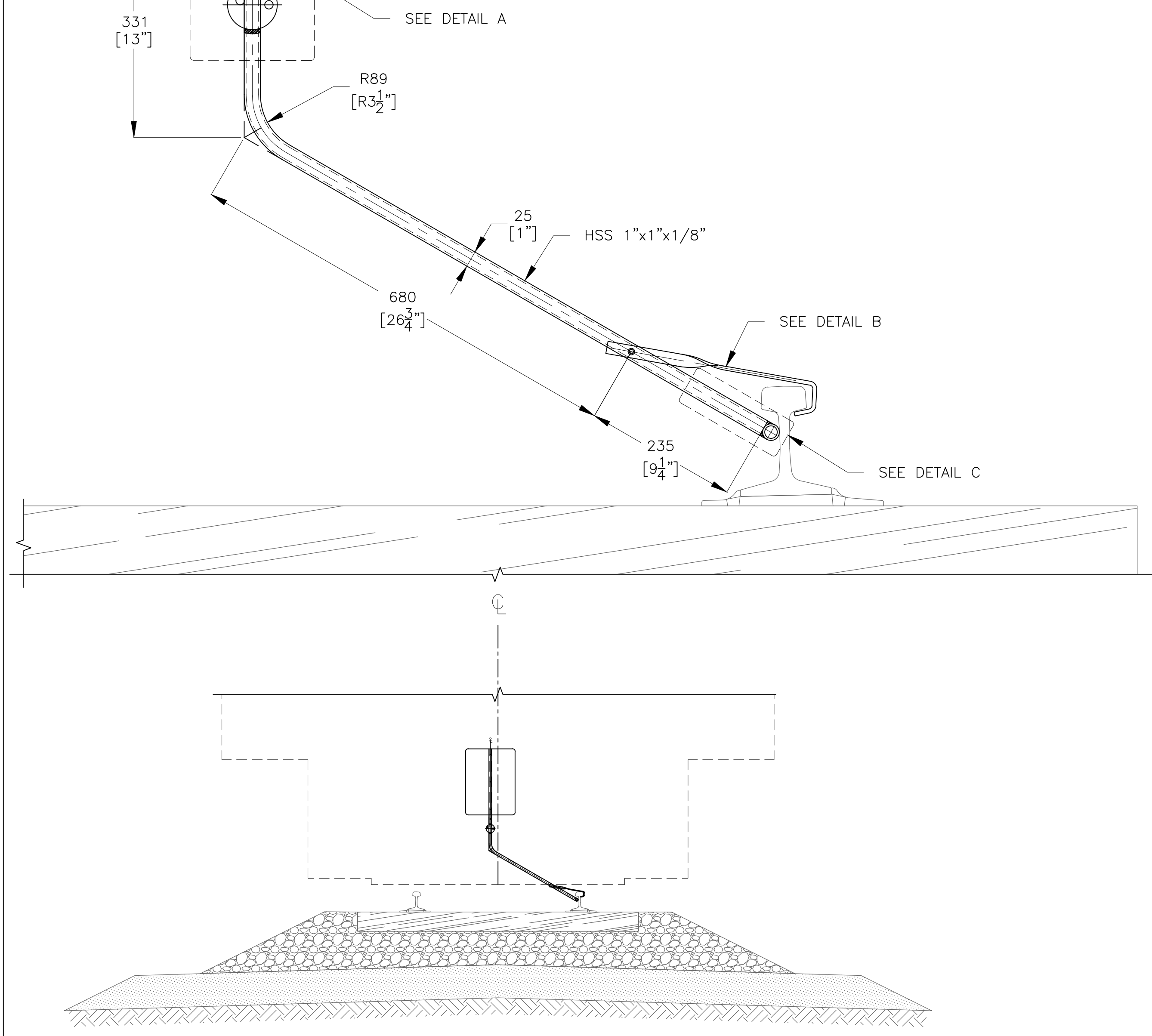


- MATERIAL NOTES:**
1. STEEL SHALL BE IN ACCORDANCE TO ASTM A53 / A53M – 20 STANDARD SPECIFICATION FOR PIPE, STEEL, BLACK AND HOT-DIPPED, ZINC-COATED, WELDED AND SEAMLESS.
 2. WELDING SHALL BE IN ACCORDANCE WITH W59-03 (R2008) WELDED STEEL CONSTRUCTION.
 3. ALL FASTENERS SHALL BE HOT-DIP GALVANIZED.
 4. ALL EXPOSED SURFACES OF THE POST AND PLATES SHALL BE PAINTED AS PER MANUFACTURER'S RECOMMENDATIONS.
 5. SYSTEM ASSEMBLY AND INSTALLATION SHALL BE IN ACCORDANCE TO MANUFACTURER'S SPECIFICATIONS.



METRIC CONVERSION: 1 inch=25.4mm, 1 foot=304.8mm			
0	22/08/30	INITIAL VERSION ESTABLISHED	
No.	Date	Revision	By Approved
Standard/		CROR 841 FLAG STAND DETAILS	
Drawn	SJ	Checked	TM
		Approved - <i>Jay P. Hama</i> Chief Engineer	
Date	AUG 30/2022	Plan Number	GTS-0725 Rev 0
REFERENCE: -		Sheet 2 OF 2	