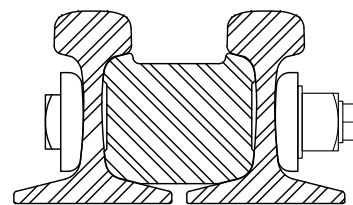


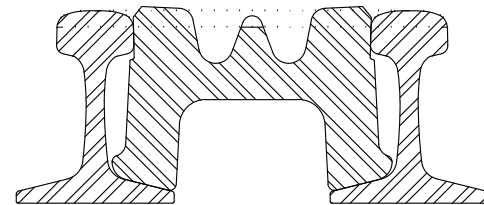
FROG USE	TOE LENGTH	HEEL LENGTH	OVERALL LENGTH	TOE SPREAD	HEEL SPREAD
TURNOUT	9'-8"	13'-4"	23'-0"	11 ³ / ₃₂ "	16 ¹⁵ / ₃₂ "
MAINTENANCE	13'-5"	17'-1"	30'-6"	15 ¹⁹ / ₃₂ "	20 ³ / ₃₂ "

NOTES:

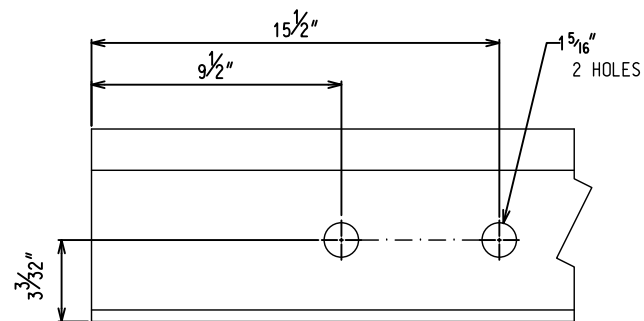
1. RUNNING SURFACES OF INSERT TO BE EXPLOSIVE DEPTH HARDENED AS PER GO SPEC. 12-9 (LATEST REVISION).
2. FROGS ARE TO BE MANUFACTURED IN ACCORDANCE WITH ALL REQUIREMENTS OF GO SPEC. 12-9 (LATEST REVISION).
3. FROG TO BE MANUFACTURED WITHIN TOLERANCES SPECIFIED ON GO TOLERANCE PLAN GO-21.
4. FROG TO BE MADE TO AREMA STANDARD PLAN 623 EXCEPT AS SPECIFIED ON THIS STANDARD.
5. SEE GTS-0899 FOR FROG HEAVY POINT DETAILS.



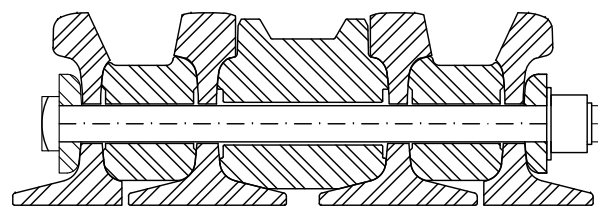
SECTION A-A



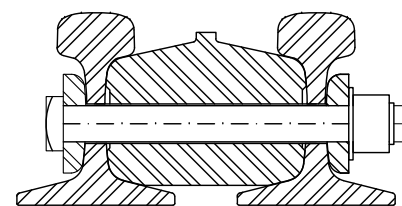
SECTION B-B



TYPICAL END DRILLING DETAILS
(TURNOUT LENGTH FROGS ONLY)



SECTION C-C



SECTION D-D

METRIC CONVERSION: 1 inch=25.4mm, 1 foot=304.8mm

No.	Date	Revision	By Approved
1	18/07/27	ADDED IMPERIAL TO METRIC CONVERSION NOTE	

Standard / ASSEMBLY
NO. 10 LOW IMPACT HEEL RBM FROG
136 LB. RE RAIL

Drawn DPK Checked YJS Approved VP Engineering & Asset Management



Date SEPT 15/2017 Plan Number GTS-0885 Rev 1