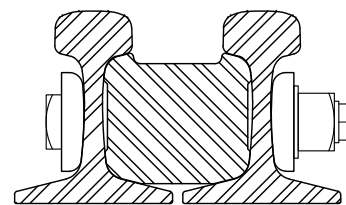


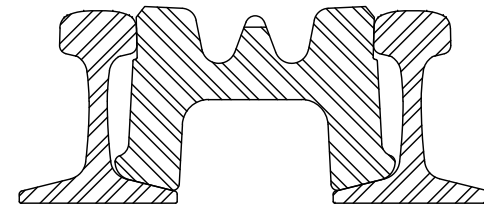
FROG USE	TOE LENGTH	HEEL LENGTH	OVERALL LENGTH	TOE SPREAD	HEEL SPREAD
TURNOUT	10'-1 1/2"	14'-10 1/2"	25'-0"	9 5/8"	15 3/8"
MAINTENANCE	13'-10 1/2"	18'-7 1/2"	32'-6"	13 3/8"	19 3/32"

NOTES:

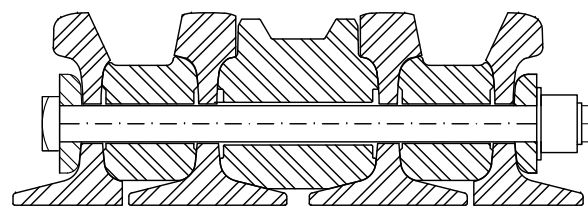
1. RUNNING SURFACES OF INSERT TO BE EXPLOSIVE DEPTH HARDENED AS PER GO SPEC. 12-9 (LATEST REVISION).
2. FROGS ARE TO BE MANUFACTURED IN ACCORDANCE WITH ALL REQUIREMENTS OF GO SPEC. 12-9 (LATEST REVISION).
3. FROG TO BE MANUFACTURED WITHIN TOLERANCES SPECIFIED ON GO TOLERANCE PLAN GO-21.
4. FROG TO BE MADE TO AREMA STANDARD PLAN 623 EXCEPT AS SPECIFIED ON THIS STANDARD.
5. SEE GTS-0899 FOR FROG HEAVY POINT DETAILS.



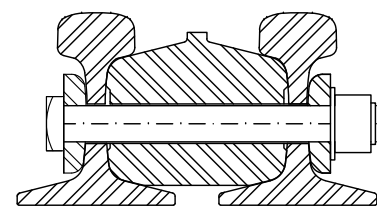
SECTION A-A



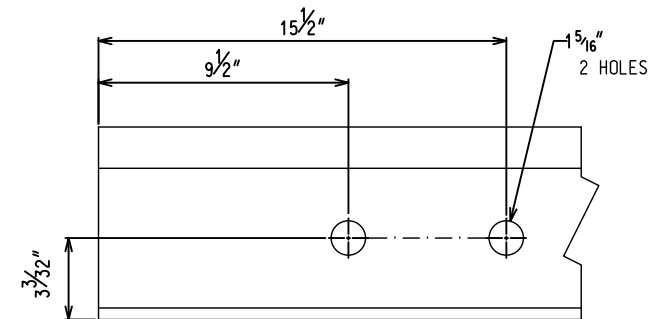
SECTION B-B



SECTION C-C



SECTION D-D



**TYPICAL END DRILLING DETAILS
(TURNOUT LENGTH FROGS ONLY)**

METRIC CONVERSION: 1 inch=25.4mm, 1 foot=304.8mm

No.	Date	Revision	By Approved
1	18/07/27	ADDED IMPERIAL TO METRIC CONVERSION NOTE	

Standard / **ASSEMBLY
NO. 12 LOW IMPACT HEEL RBM FROG
136 LB. RE RAIL**

Drawn DPK Checked YJS Approved *[Signature]*
VP Engineering & Asset Management



Date SEPT 15/2017 Plan Number GTS-0886 Rev 1