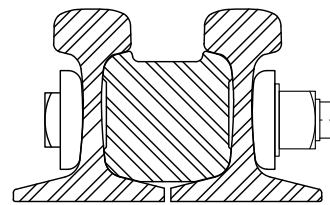
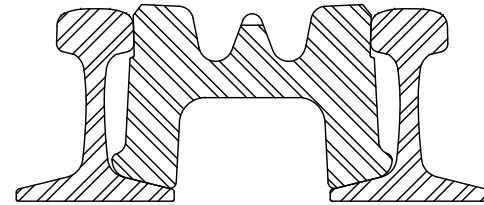


FROG USE	TOE LENGTH	HEEL LENGTH	OVERALL LENGTH	TOE SPREAD	HEEL SPREAD
TURNOUT	16' -1 1/2"	24' -10 1/2"	41' -0"	9 5/32"	15 7/16"
MAINTENANCE	19' -11"	28' -7"	48' -6"	11 7/16"	17 2/32"

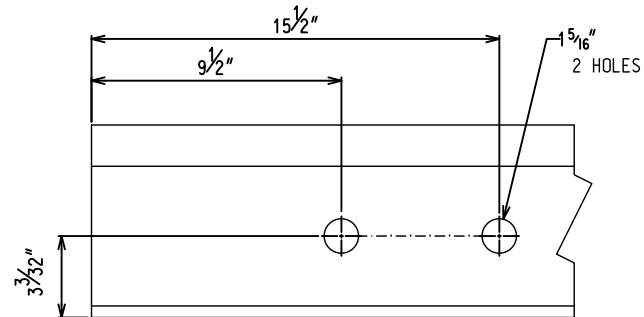
- NOTES:
1. RUNNING SURFACES OF INSERT TO BE EXPLOSIVE DEPTH HARDENED AS PER GO SPEC. 12-9 (LATEST REVISION).
 2. FROGS ARE TO BE MANUFACTURED IN ACCORDANCE WITH ALL REQUIREMENTS OF GO SPEC. 12-9 (LATEST REVISION).
 3. FROG TO BE MANUFACTURED WITHIN TOLERANCES SPECIFIED ON GO TOLERANCE PLAN GO-21.
 4. FROG TO BE MADE TO AREMA STANDARD PLAN 623 EXCEPT AS SPECIFIED ON THIS STANDARD.
 5. SEE GTS-0899 FOR FROG HEAVY POINT DETAILS.



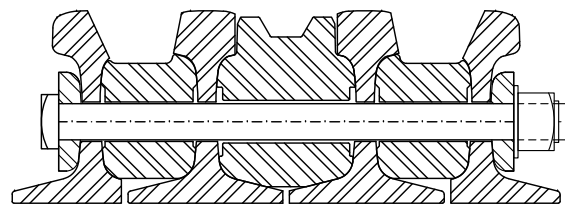
SECTION A-A



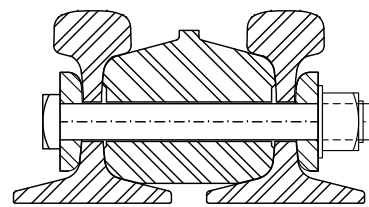
SECTION B-B



TYPICAL END DRILLING DETAILS
(TURNOUT LENGTH FROGS ONLY)



SECTION C-C



SECTION D-D

METRIC CONVERSION: 1 inch=25.4mm, 1 foot=304.8mm

No.	Date	Revision	By Approved
1	18/07/27	ADDED IMPERIAL TO METRIC CONVERSION NOTE	

Standard / ASSEMBLY
NO. 20 LOW IMPACT HEEL RBM FROG
136 LB. RE RAIL

Drawn DPK Checked YJS Approved *[Signature]*
VF Engineering & Asset Management



Date SEPT 15/2017 Plan Number GTS-0889 Rev 1