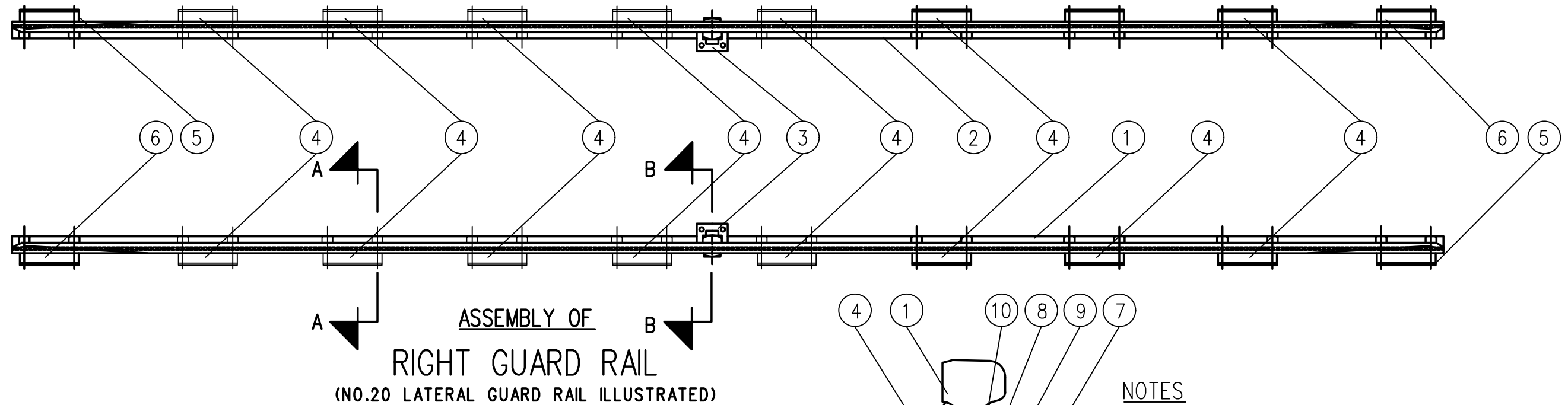


**ASSEMBLY OF  
LEFT GUARD RAIL  
(NO.20 LATERAL GUARD RAIL ILLUSTRATED)**



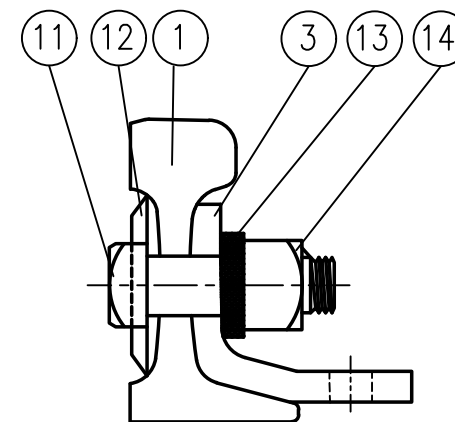
**NOTES**

1. WHEN REFERRING TO GUARD RAILS, PLAN AND TURNOUT NUMBER MUST BE STATED TO INDICATE SPECIFIC GUARD RAIL REQUIRED.

- A- \*10 RIGHT SIDE G.R. ASSEMBLY
- B- \*10 LEFT SIDE G.R. ASSEMBLY
- C- \*12 RIGHT SIDE G.R. ASSEMBLY
- D- \*12 LEFT SIDE G.R. ASSEMBLY
- E- \*16 RIGHT SIDE G.R. ASSEMBLY
- F- \*16 LEFT SIDE G.R. ASSEMBLY
- G- \*20 RIGHT SIDE G.R. ASSEMBLY (LAT.)
- H- \*20 LEFT SIDE G.R. ASSEMBLY (LAT.)
- I- \*8 RIGHT SIDE G.R. ASSEMBLY
- J- \*8 LEFT SIDE G.R. ASSEMBLY

FOR MACHINE DRAWING OF GUARD RAILS SEE GTS-1114.  
2. x DENOTES THIS ASSEMBLY CAN ALSO BE USED ON THE RIGHT SIDE OF EQUILATERAL TURNOUTS. (FOR LEFT HAND TURNOUTS SEE GTS-1117)

**SECTION A-A**



**SECTION B-B**

BILL OF MATERIAL FOR RIGHT HAND GUARD RAIL ASSEMBLIES			QUANTITIES FOR TURNOUTS									
ITEM	DESCRIPTION	STANDARD PLAN NO.	*10		*12		*16		*20 (LAT.)		*8	
			A	B	C	D	E	F	xG	H	I	J
1	GUARD RAIL (RIGHT SIDE)	GTS-1114	1									
	GUARD RAIL (RIGHT SIDE)	GTS-1114			1							
	GUARD RAIL (RIGHT SIDE)	GTS-1114					1					
	GUARD RAIL (RIGHT SIDE)	GTS-1114							1			
	GUARD RAIL (RIGHT SIDE)	GTS-1114									1	
2	GUARD RAIL (LEFT SIDE)	GTS-1114		1								
	GUARD RAIL (LEFT SIDE)	GTS-1114				1						
	GUARD RAIL (LEFT SIDE)	GTS-1114								1		
	GUARD RAIL (LEFT SIDE)	GTS-1114										1
3	PLATE CLIP	GTS-1336	1	1	1	1	1	1	1	1	1	1
4	GUARD RAIL FILLER BLOCK	GTS-850A	4	4	4	4	6	6	8	8	4	4
5	GUARD RAIL FILLER BLOCK	GTS-850B	1	1	1	1	1	1	1	1	1	1
6	GUARD RAIL FILLER BLOCK	GTS-850C	1	1	1	1	1	1	1	1	1	1
7	1-1/8 DIA.-7UNC.SQ.HD.BOLT X 6" LONG	GTS-1309/32	12	12	12	12	16	16	20	20	12	12
8	SPRING WASHER FOR 1-1/8 DIA. BOLT	GTS-1301	12	12	12	12	16	16	20	20	12	12
9	SEC. RAILOC LOCKNUT FOR 1-1/8 DIA.BOLT	GTS-1302	12	12	12	12	16	16	20	20	12	12
10	TAILWASHER FOR 1-1/8 DIA.BOLT	FS-157	12	12	12	12	16	16	20	20	12	12
11	1-3/8 DIA. -6UNC.SQ.HD.BOLT X 4-1/2 LONG	GTS-1309/94	1	1	1	1	1	1	1	1	1	1
12	HEADLOCK WASHER FOR 1-3/8 DIA. BOLT	GTS-837/R	1	1	1	1	1	1	1	1	1	1
13	SPRING WASHER FOR 1-3/8 DIA. BOLT	GTS-1301	1	1	1	1	1	1	1	1	1	1
14	LOCKNUT FOR 1-3/8 DIA.BOLT	GTS-1302	1	1	1	1	1	1	1	1	1	1

**METRIC CONVERSION: 1 inch=25.4mm, 1 foot=304.8mm**

1	18/07/27	ADDED IMPERIAL TO METRIC CONVERSION NOTE
No.	Date	Revision
		By Approved
<b>ASSEMBLY GUARD RAILS-RIGHT HAND TURNOUTS FOR 136LB. R.E. RAILS</b>		
Drawn	Checked	Approved
MG	GGS	VP Engineering & Asset Management
Date	Plan Number	Rev
DEC 15, 2017	GTS-1116	1
REFERENCE: TS-1116 A/J		Sheet 1 OF 1