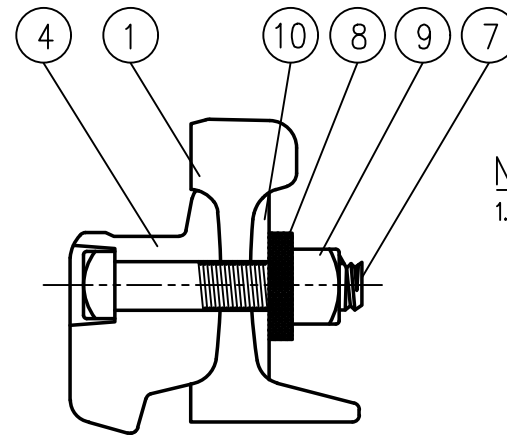
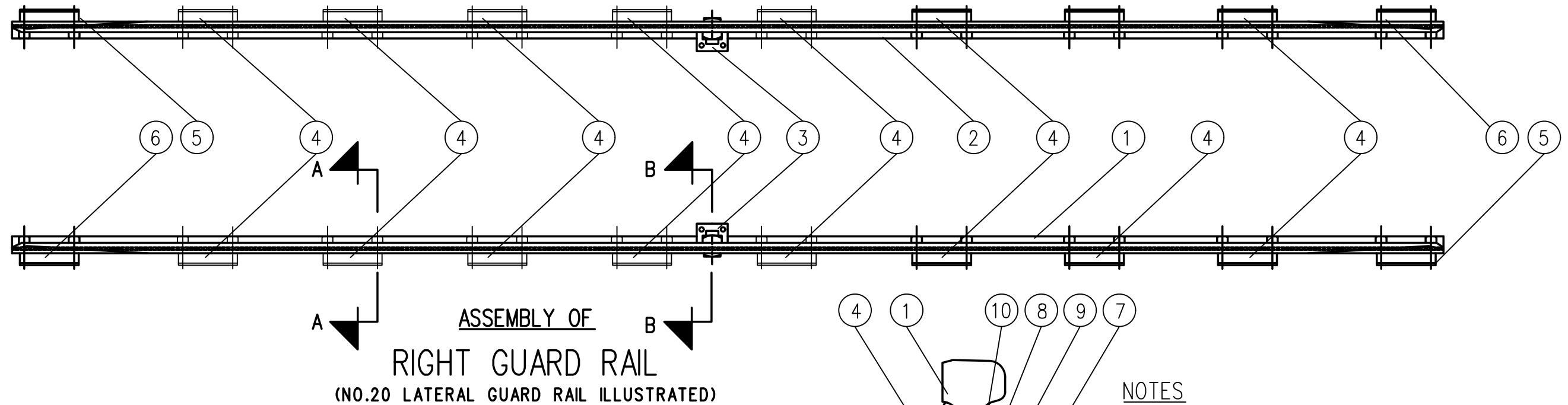
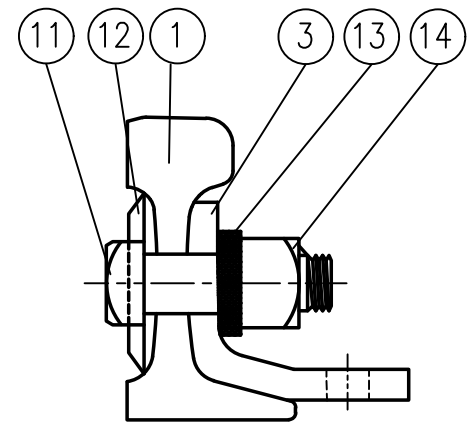


**ASSEMBLY OF  
LEFT GUARD RAIL  
(NO.20 LATERAL GUARD RAIL ILLUSTRATED)**



**SECTION A-A**



**SECTION B-B**

**NOTES**

- WHEN REFERRING TO GUARD RAILS, PLAN AND TURNOUT NUMBER MUST BE STATED TO INDICATE SPECIFIC GUARD RAIL REQUIRED.
- FOR MACHINE DRAWING OF GUARD RAILS SEE GTS-1118.
- x DENOTES THIS ASSEMBLY CAN ALSO BE USED ON THE LEFT SIDE OF EQUILATERAL TURNOUTS. (FOR RIGHT HAND TURNOUTS SEE GTS-1121 A/H)

- A- \*10 RIGHT SIDE G.R. ASSEMBLY
- B- \*10 LEFT SIDE G.R. ASSEMBLY
- C- \*12 RIGHT SIDE G.R. ASSEMBLY
- D- \*12 LEFT SIDE G.R. ASSEMBLY
- E- \*16 RIGHT SIDE G.R. ASSEMBLY
- F- \*16 LEFT SIDE G.R. ASSEMBLY
- G- \*20 RIGHT SIDE G.R. ASSEMBLY (LAT.)
- H- \*20 LEFT SIDE G.R. ASSEMBLY (LAT.)
- I- \*8 RIGHT SIDE G.R. ASSEMBLY
- J- \*8 LEFT SIDE G.R. ASSEMBLY

| BILL OF MATERIAL FOR RIGHT HAND GUARD RAIL ASSEMBLIES |  |                   | QUANTITIES FOR TURNOUTS |   |     |    |     |   |            |    |
|---|--|-------------------|-------------------------|---|-----|----|-----|---|------------|----|
| ITEM  | DESCRIPTION                              | STANDARD PLAN NO. | *10                     |   | *12 |    | *16 |   | *20 (LAT.) |    |
|   |  |                   | A                       | B | C   | D  | E   | F | xG         | H  |
| 1   | GUARD RAIL (RIGHT SIDE)                  | GTS-1118          |                         |   |     |    |     |   |            |    |
|   | GUARD RAIL (RIGHT SIDE)                  | GTS-1118          |                         |   | 1   |    |     |   |            |    |
|   | GUARD RAIL (RIGHT SIDE)                  | GTS-1118          |                         |   |     |    |     |   |            |    |
|   | GUARD RAIL (RIGHT SIDE)                  | GTS-1118          |                         |   |     |    |     |   | 1          |    |
| 2   | GUARD RAIL (LEFT SIDE)                   | GTS-1118          |                         |   |     | 1  |     |   |            |    |
|   | GUARD RAIL (LEFT SIDE)                   | GTS-1118          |                         |   |     |    |     |   |            |    |
|   | GUARD RAIL (LEFT SIDE)                   | GTS-1118          |                         |   |     |    |     |   |            | 1  |
| 3   | PLATE CLIP                               | GTS-1336          |                         |   | 1   | 1  |     |   | 1          | 1  |
| 4   | GUARD RAIL FILLER BLOCK                  | GTS-850A          |                         |   | 4   | 4  |     |   | 6          | 6  |
| 5   | GUARD RAIL FILLER BLOCK                  | GTS-850B          |                         |   | 1   | 1  |     |   | 1          | 1  |
| 6   | GUARD RAIL FILLER BLOCK                  | GTS-850C          |                         |   | 1   | 1  |     |   | 1          | 1  |
| 7   | 1-1/8 DIA.-7UNC.SQ.HD.BOLT X 6" LONG     | GTS-1309/32       |                         |   | 12  | 12 |     |   | 16         | 16 |
| 8   | SPRING WASHER FOR 1-1/8 DIA. BOLT        | GTS-1301          |                         |   | 12  | 12 |     |   | 16         | 16 |
| 9   | SEC. RAILOC LOCKNUT FOR 1-1/8 DIA.BOLT   | GTS-1302          |                         |   | 12  | 12 |     |   | 16         | 16 |
| 10  | TAILWASHER FOR 1-1/8 DIA.BOLT            | FS-157            |                         |   | 12  | 12 |     |   | 16         | 16 |
| 11  | 1-3/8 DIA. -6UNC.SQ.HD.BOLT X 4-1/2 LONG | GTS-1309/94       |                         |   | 1   | 1  |     |   | 1          | 1  |
| 12  | HEADLOCK WASHER FOR 1-3/8 DIA. BOLT      | GTS-837/R         |                         |   | 1   | 1  |     |   | 1          | 1  |
| 13  | SPRING WASHER FOR 1-3/8 DIA. BOLT        | GTS-1301          |                         |   | 1   | 1  |     |   | 1          | 1  |
| 14  | LOCKNUT FOR 1-3/8 DIA.BOLT               | GTS-1302          |                         |   | 1   | 1  |     |   | 1          | 1  |

**METRIC CONVERSION: 1 inch=25.4mm, 1 foot=304.8mm**

|  |              |  |             |
|--|--------------|--|-------------|
| 1  | 18/07/27     | ADDED IMPERIAL TO METRIC CONVERSION NOTE |             |
| No.  | Date         | Revision                                 | By Approved |
| <b>ASSEMBLY<br/>GUARD RAILS-RIGHT HAND TURNOUTS<br/>FOR 136LB. R.E. RAILS- CONCRETE TIES</b> |              |  |             |
| Drawn  | MG           | Checked                                  | GGG         |
| Approved   |              |  |             |
|  |              |  |             |
| Date   | DEC 15, 2017 | Plan Number                              | GTS-1120    |
| Rev  | 1            |  |             |
| REFERENCE: TS-1120 A/H   |              | Sheet 1 OF 1                             |             |