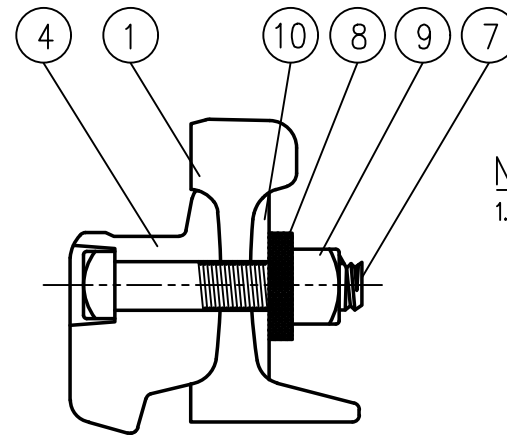
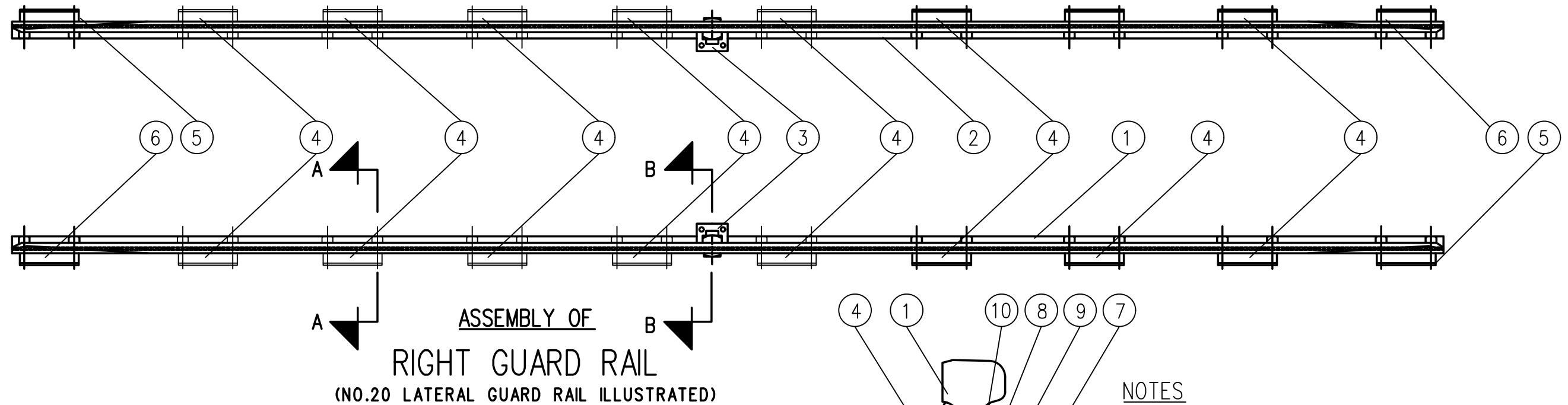
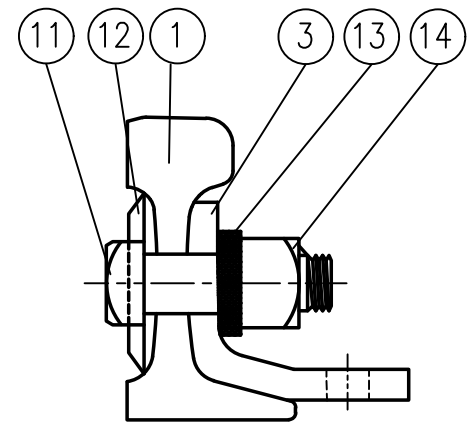


**ASSEMBLY OF
LEFT GUARD RAIL
(NO.20 LATERAL GUARD RAIL ILLUSTRATED)**



SECTION A-A



SECTION B-B

NOTES

- WHEN REFERRING TO GUARD RAILS, PLAN AND TURNOUT NUMBER MUST BE STATED TO INDICATE SPECIFIC GUARD RAIL REQUIRED.
- FOR MACHINE DRAWING OF GUARD RAILS SEE GTS-1119.
- x DENOTES THIS ASSEMBLY CAN ALSO BE USED ON THE LEFT SIDE OF EQUILATERAL TURNOUTS. (FOR RIGHT HAND TURNOUTS SEE GTS-1120 A/H)

- A- *10 RIGHT SIDE G.R. ASSEMBLY
- B- *10 LEFT SIDE G.R. ASSEMBLY
- C- *12 RIGHT SIDE G.R. ASSEMBLY
- D- *12 LEFT SIDE G.R. ASSEMBLY
- E- *16 RIGHT SIDE G.R. ASSEMBLY
- F- *16 LEFT SIDE G.R. ASSEMBLY
- G- *20 RIGHT SIDE G.R. ASSEMBLY (LAT.)
- H- *20 LEFT SIDE G.R. ASSEMBLY (LAT.)
- I- *8 RIGHT SIDE G.R. ASSEMBLY
- J- *8 LEFT SIDE G.R. ASSEMBLY

BILL OF MATERIAL FOR RIGHT HAND GUARD RAIL ASSEMBLIES			QUANTITIES FOR TURNOUTS							
ITEM	DESCRIPTION	STANDARD PLAN NO.	*10		*12		*16		*20 (LAT.)	
			A	B	C	D	E	F	x G	H
1	GUARD RAIL (RIGHT SIDE)	GTS-1119								
	GUARD RAIL (RIGHT SIDE)	GTS-1119			1					
	GUARD RAIL (RIGHT SIDE)	GTS-1119								
	GUARD RAIL (RIGHT SIDE)	GTS-1119							1	
2	GUARD RAIL (LEFT SIDE)	GTS-1119								
	GUARD RAIL (LEFT SIDE)	GTS-1119			1					
	GUARD RAIL (LEFT SIDE)	GTS-1119								1
	GUARD RAIL (LEFT SIDE)	GTS-1119								1
3	PLATE CLIP	GTS-1336			1	1			1	1
4	GUARD RAIL FILLER BLOCK	GTS-850A			4	4			6	6
5	GUARD RAIL FILLER BLOCK	GTS-850B			1	1			1	1
6	GUARD RAIL FILLER BLOCK	GTS-850C			1	1			1	1
7	1-1/8 DIA.-7UNC.SQ.HD.BOLT X 6" LONG	GTS-1309/32			12	12			16	16
8	SPRING WASHER FOR 1-1/8 DIA. BOLT	GTS-1301			12	12			16	16
9	SEC. RAILOC LOCKNUT FOR 1-1/8 DIA.BOLT	GTS-1302			12	12			16	16
10	TAILWASHER FOR 1-1/8 DIA.BOLT	FS-157			12	12			16	16
11	1-3/8 DIA. -6UNC.SQ.HD.BOLT X 4-1/2 LONG	GTS-1309/94			1	1			1	1
12	HEADLOCK WASHER FOR 1-3/8 DIA. BOLT	GTS-837/R			1	1			1	1
13	SPRING WASHER FOR 1-3/8 DIA. BOLT	GTS-1301			1	1			1	1
14	LOCKNUT FOR 1-3/8 DIA.BOLT	GTS-1302			1	1			1	1

METRIC CONVERSION: 1 inch=25.4mm, 1 foot=304.8mm

1	18/07/27	ADDED IMPERIAL TO METRIC CONVERSION NOTE
No.	Date	Revision
		By Approved
Standard/		
ASSEMBLY GUARD RAILS-LEFT HAND TURNOUTS FOR 136LB. R.E. RAILS- CONCRETE TIES		
Drawn	Checked	Approved
MG	GGS	<i>[Signature]</i>
METROLINX		
Date	Plan Number	GTS-1121 Rev 1
DEC 15, 2017		
REFERENCE: TS-1121 A/H	Sheet 1 OF 1	