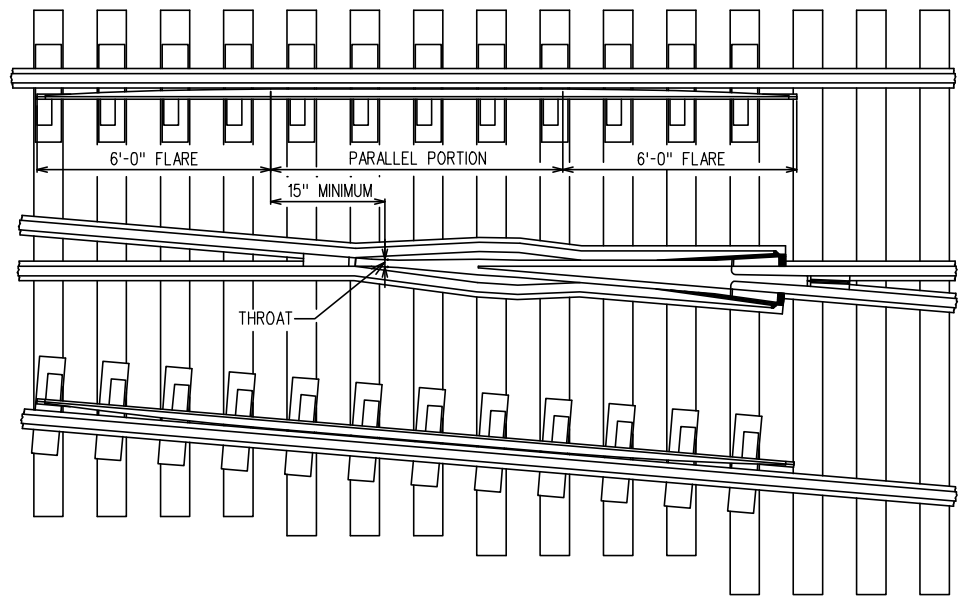


TEE RAIL GUARD RAIL SETTING
FOR BOLTED & RAIL BOUND MANGANESE FROG
NOTE: FROG PLATES NOT SHOWN



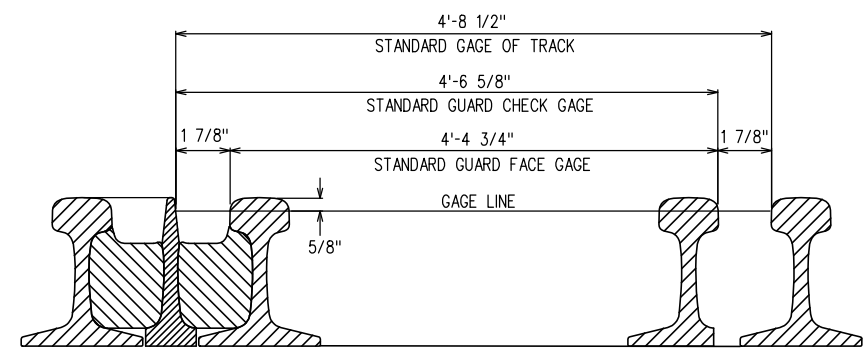
BOLTLESS ADJUSTABLE GUARD RAIL SETTING
FOR BOLTED & RAIL BOUND MANGANESE FROG
(DRAWN #12 RAIL BOUND MANG. FROG & 19'-6" GUARD RAIL)
NOTE: FROG PLATES NOT SHOWN

NOTES:

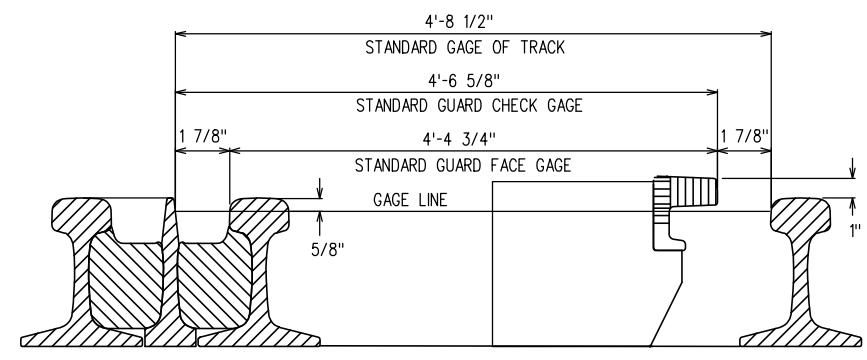
- SETTING OF GUARD RAILS, SEE GTS-1125
 - GUARD RAIL FLARE TO BE OPPOSITE THE FROG WING RAIL FLARE FOR ALL ANGLES.
 - BOLTED RIGID & RAIL BOUND FROGS.
THE PARALLEL PORTION OF THE GUARD RAIL IS TO EXTEND 15" MINIMUM BEYOND THE THROAT.
- MINIMUM LENGTH OF TEE RAIL GUARD RAILS CONFORMING WITH THE ABOVE SETTINGS. TEE RAIL GUARD RAILS RECOMMENDED FOR LOW SPEED LOW TONNAGE APPLICATIONS.

BOLTED RIGID & RAIL BOUND FROGS	LENGTH OF GUARD RAIL	FROG NO' S.
	13'-0"	8-10, 12
	20'-0"	16, 20
- MINIMUM LENGTH OF BOLTLESS ADJUSTABLE GUARD RAILS CONFORMING WITH THE ABOVE SETTINGS.

BOLTED RIGID & RAIL BOUND FROGS	LENGTH OF GUARD RAIL	FROG NO' S.
	13'-0"	8-9
	19'-6"	10, 12
	26'-0"	16, 20



TEE RAIL TRACK & GUARD RAIL GAGES
ALL RAILS VERTICAL




BOLTLESS ADJUSTABLE TRACK & GUARD RAIL GAGES
ALL RAILS VERTICAL

METRIC CONVERSION: 1 inch=25.4mm, 1 foot=304.8mm

0	19/03/29	REVISED PDF VERSION ESTABLISHED	
No.	Date	Revision	By Approved

Standard / **SETTING FOR GUARD RAILS
TEE RAIL AND ADJUSTABLE DESIGNS**

Drawn MG Checked GGS Approved  VP Engineering & Asset Management



METROLINX

Date MAR 29, 2019 Plan Number GTS-1124 Rev 0

REFERENCE: AREMA- PLAN NO 502-13 Sheet 1 OF 1