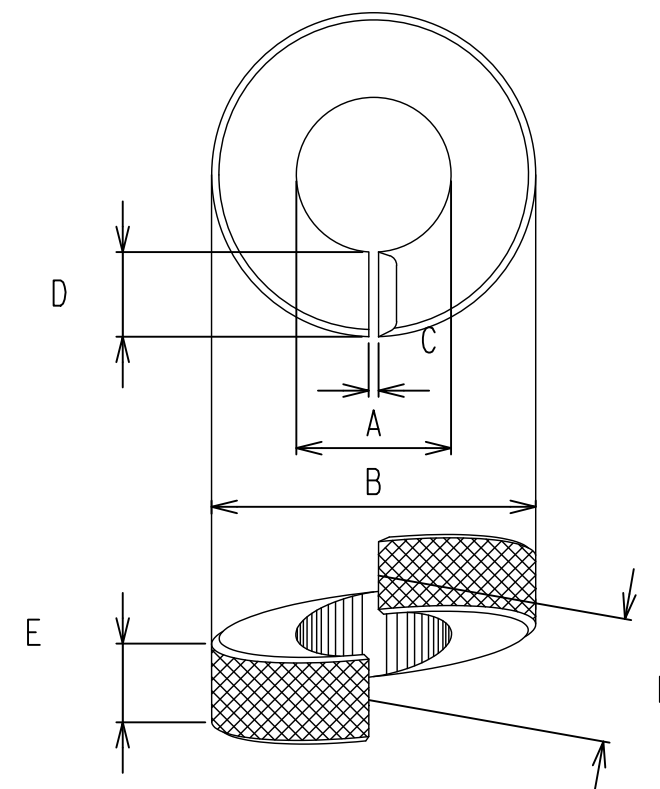


NOMINAL BOLT DIAMETER	A		B		C NOM.	D	E	F MAX.	NET WT.PER 1000 [LBS]
	MIN.	MAX.	MIN.	MAX.					
3/4	25/32	13/16	-----	1 5/8	1/16	13/32	7/16	7/16	185
7/8	29/32	15/16	-----	1 3/4	1/16	13/32	7/16	7/16	195
1	1 1/32	1 1/16	-----	2 3/32	1/16	1/2	17/32	5/8	340
* 1 1/16	1 3/32	1 1/8	-----	2 5/32	1/16	1/2	17/32	5/8	355
1 1/8	1 5/32	1 3/16	-----	2 1/4	1/16	17/32	17/32	5/8	400
1 1/4	1 9/32	1 5/16	-----	2 3/8	1/16	17/32	17/32	5/8	425
1 3/8	1 13/32	1 7/16	-----	2 1/2	1/16	17/32	17/32	17/32	455
† 1 1/4	1 9/32	-----	-----	2 23/32	-----	45/64	17/32	-----	-----
† 1 3/8	1 13/32	-----	-----	2 27/32	-----	45/64	17/32	-----	-----



NOTES:

1. ALL DIMENSIONS ARE IN INCHES.

SPECIFICATIONS:

SPRING WASHERS FOR 3/4" TO 1 3/8" DIAMETER BOLTS SHALL BE IN ACCORDANCE WITH THE CURRENT A.R.E.A. "SPECIFICATIONS FOR SPRING WASHERS" [MANUAL, CHAPTER 4, PART 2].

† SPRING WASHERS SHALL COMPLY WITH CURRENT A.R.E.A. SPECIFICATIONS [OUTLINED ABOVE] REVISIONS AND ADDITIONS TO SAID SPECIFICATION SHALL COMPLY TO A.R.E.A. "SPECIFICATIONS FOR SPECIAL TRACKWORK, ARTICLE 15, SPRING WASHERS".

* THE 1 1/16" BOLT AND WASHER ARE OBSOLETE AND INFORMATION SHOWN HERE IS FOR MAINTENANCE PURPOSES ONLY.

METRIC CONVERSION: 1 inch=25.4mm, 1 foot=304.8mm

1	18/07/27	ADDED IMPERIAL TO METRIC CONVERSION NOTE	
No.	Date	Revision	By Approved

Standard / **SPRING WASHERS**

Drawn RP Checked GGS Approved *[Signature]* VP Engineering & Asset Management

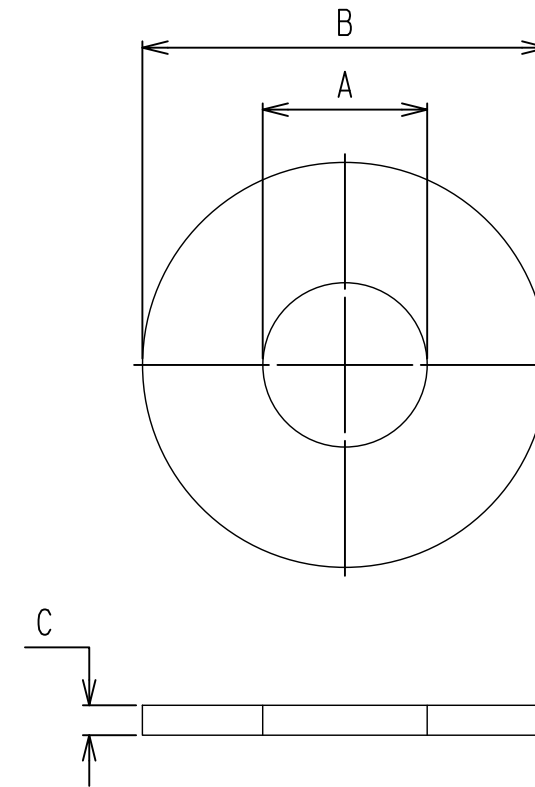


METROLINX

Date SEPT 15/2017 Plan Number GTS-1301 Rev 1

REFERENCE: TS-1301_R3 Sheet 1 OF 2

NOMINAL BOLT DIAMETER	A			B			C		NET WT.PER 1000 [LBS]
	NOM.	MAX.	MIN.	NOM.	MAX.	MIN.	MAX.	MIN.	
3/4	13/16	27/32	13/16	1 15/32	1 1/2	1 7/16	0.177	0.122	50
7/8	15/16	31/32	15/16	1 3/4	1 25/32	1 23/32	0.177	0.136	76
1	1 1/16	1 1/8	1 1/16	2	2 1/16	1 15/16	0.177	0.136	100
1 1/8	1 3/16	1 1/4	1 3/16	2 1/4	2 5/16	2 3/16	0.177	0.136	128
1 1/4	1 3/8	1 7/16	1 3/8	2 1/2	2 9/16	2 7/16	0.177	0.136	152
1 3/8	1 1/2	1 9/16	1 1/2	2 3/4	2 13/16	2 11/16	0.177	0.136	186



NOTE:

1. ALL DIMENSIONS IN INCHES

SPECIFICATION:

1. HARDENED FLAT WASHER SHALL COMPLY WITH THE LATEST ASTM F436 STANDRD SPECIFICATIONS.

METRIC CONVERSION: 1 inch=25.4mm, 1 foot=304.8mm

1	18/07/27	ADDED IMPERIAL TO METRIC CONVERSION NOTE	
No.	Date	Revision	By Approved

Standard/ **SPRING WASHERS**

Drawn RP Checked GGS Approved *[Signature]*
VP Engineering & Asset Management



METROLINX

Date SEPT 15/2017 Plan Number GTS-1301 Rev 1

REFERENCE: TS-1301_R3 Sheet 2 OF 2