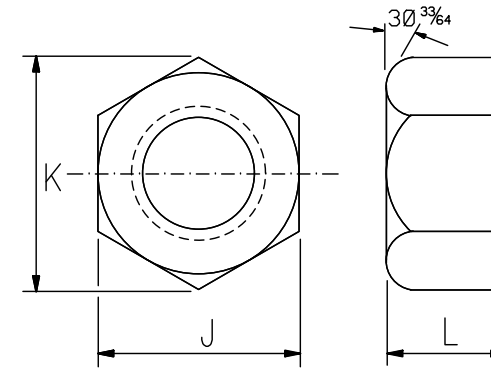


SQUARE BOLT



HEXAGON NUT

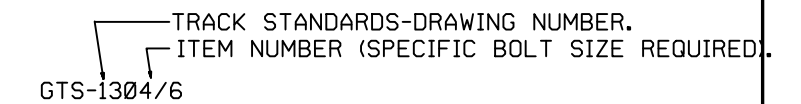
NOTES:

- ALL DIMENSIONS ARE IN INCHES.
- STANDARD BOLT AND NUT DIMENSIONS OBTAINED FROM CANADIAN STANDARDS ASSOCIATION.
- ✓ - INDICATES A "SPECIAL" NON-STANDARD DIMENSION.
- BOLTS AND NUTS ARE TO BE MANUFACTURED AS DIMENSIONED AND IN ACCORDANCE WITH THE CORRESPONDING SPECIFICATION:

SPEC. KEY NO.	SPEC. NO.	DATED	DESCRIPTION
1	11-1C	FEB. '83-	HEAT TREATED CARBON STEEL BOLTS AND CARBON STEEL NUTS
2	11-2B	FEB. '83-	NON HEAT TREATED BOLTS
3	12-1C	FEB. '83-	HEAT TREATED CARBON STEEL TRACK BOLTS AND CARBON STEEL NUTS.

ITEM NO.	NOMINAL SIZE	BODY DIAMETER		WIDTH ACROSS FLATS		WIDTH ACROSS CORNERS		HEIGHT OF HEAD UNFINISHED		LENGTH OF BOLT	HOLE POSITION		LENGTH OF THREAD	THDS. INCH	HOLE DIA.	WIDTH ACROSS FLATS			WIDTH ACROSS CORNERS		THICKNESS OF NUT			SPEC. KEY NO.		
		MAX.	MIN.	NOM.	MAX.	MIN.	NOM.	MAX.	MIN.		MAX.	MIN.				MAX.	MIN.	NOM.	MAX.	MIN.	NOM.	MAX.	MIN.			
1	3/4	0.768	0.737	1-1/8	1.125	1.088	1.591	1.494	1/2	0.524	0.476	4-3/4 ±1/8	4.269	4.219	1-3/4 +1/4	10	0.199	1-1/4	1.250	1.212	1.443	1.382	47/64	0.758	0.710	1
2	3/4	0.768	0.737	1-1/8	1.125	1.088	1.591	1.494	1/2	0.524	0.476	3-1/2 ±1/8	3.019	2.969	1-3/4 +1/4	10	0.199	1-1/4	1.250	1.212	1.443	1.382	47/64	0.758	0.710	1
3	3/4	0.768	0.737	1-1/8	1.125	1.088	1.591	1.494	1/2	0.524	0.476	4 ±1/8	3.581	3.531	1-3/4 +1/4	10	0.199	1-1/4	1.250	1.212	1.443	1.382	47/64	0.758	0.710	2
4	3/4	0.768	0.737	1-1/8	1.125	1.088	1.591	1.494	1/2	0.524	0.476	4-1/4 ±1/8	3.831	3.781	1-3/4 +1/4	10	0.199	1-1/4	1.250	1.212	1.443	1.382	47/64	0.758	0.710	2
5	3/4	0.768	0.737	1-1/8	1.125	1.088	1.591	1.494	3/8	0.395	0.355	3-3/4 ±1/8	3.394	3.344	1-3/4 +1/4	10	0.199	1-1/4	1.250	1.212	1.443	1.382	47/64	0.758	0.710	1
6	3/4	0.768	0.737	1-1/8	1.125	1.088	1.591	1.494	1/2	0.524	0.476	3-3/4 ±1/8	3.394	3.344	1-3/4 +1/4	10	0.199	1-1/4	1.250	1.212	1.443	1.382	47/64	0.758	0.710	1
7	3/4	0.768	0.737	1-1/8	1.125	1.088	1.591	1.494	1/2	0.524	0.476	5 ±1/8	4.525	4.475	1-3/4 +1/4	10	0.199	1-1/4	1.250	1.212	1.443	1.382	47/64	0.758	0.710	1
8	3/4	0.768	0.737	1-1/8	1.125	1.088	1.591	1.494	1/2	0.524	0.476	5-1/2 ±1/8	4.900	4.850	1-3/4 +1/4	10	0.199	1-1/4	1.250	1.212	1.443	1.382	47/64	0.758	0.710	1

NUMBER LEGEND



METRIC CONVERSION: 1 inch=25.4mm, 1 foot=304.8mm

1	18/07/27	ADDED IMPERIAL TO METRIC CONVERSION NOTE
No.	Date	Revision
		By Approved

Standard / **SQUARE BOLT / HEXAGON NUT**

Drawn GWM Checked NAM Approved *[Signature]*
VP Engineering & Asset Management



Date SEPT 15/2017 Plan Number GTS-1304 Rev 1