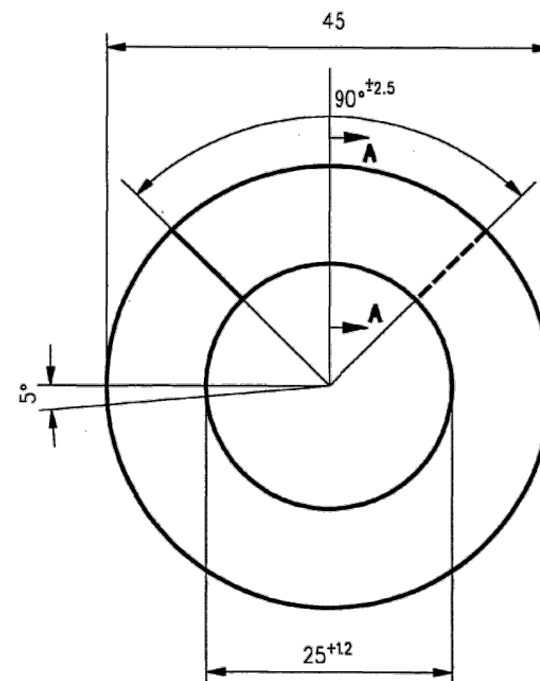
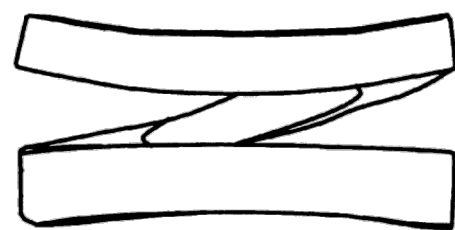


SECTION A-A

NOTES: -ALL DIMENSIONS ARE IN mm.

DOUBLE SPRING WASHER SHALL BE IN ACCORDANCE WITH THE CURRENT A.R.E.A." SPECIFICATIONS FOR SPRING WASHERS " [MANUAL, CHAPTER 4, PART 2.10]



METRIC CONVERSION: 1 inch=25.4mm, 1 foot=304.8mm

No.	Date	Revision	By	Approved
1	18/07/27	ADDED IMPERIAL TO METRIC CONVERSION NOTE		

Standard / **DOUBLE SPRING WASHER**
TYPE FE6

Drawn MG Checked GGS Approved *[Signature]*
VP Engineering & Asset Management



METROLINX

Date DEC 15, 2017 Plan Number GTS-1310 Rev 1

REFERENCE: TS-1310

Sheet 1 OF 1