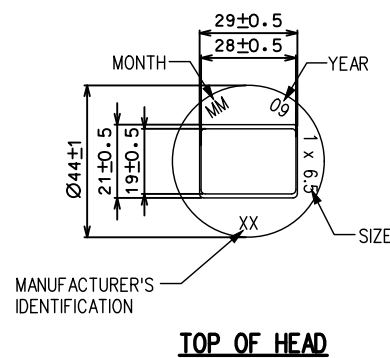
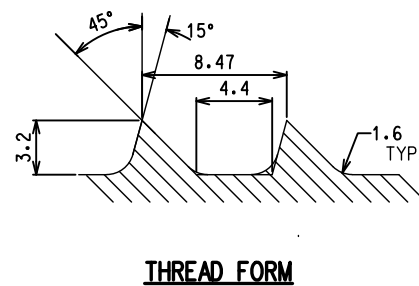


COMMON STANDARD SCREW



TOP OF HEAD



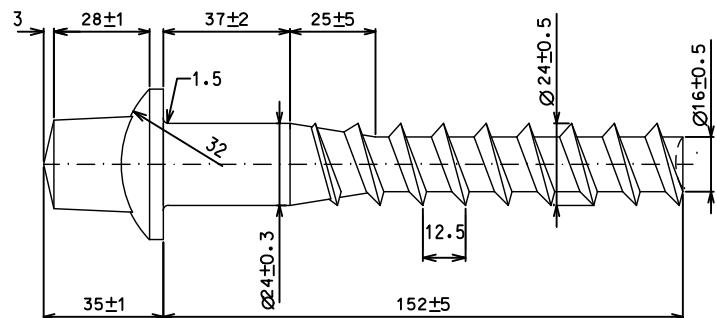
THREAD FORM

NOTES:

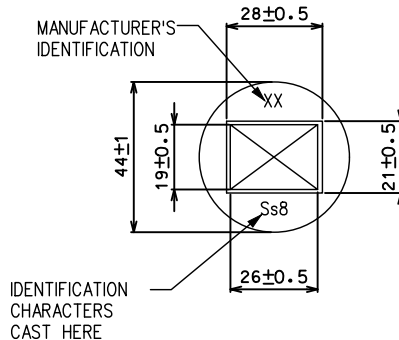
- ALL DIMENSIONS IN MILLIMETRES
- THE IDENTIFICATION CHARACTERS, MONTH AND YEAR OF MANUFACTURE AND MANUFACTURER'S I.D. AS SHOWN TO BE CLEARLY CAST, 6.4 mm MINIMUM HEIGHT.
- HEAD MUST BE CENTRED RELATIVE TO SHANK
- \* BOTH PIECES TO BE SHIPPED ASSEMBLED, READY FOR INSTALLATION.

MATERIAL:

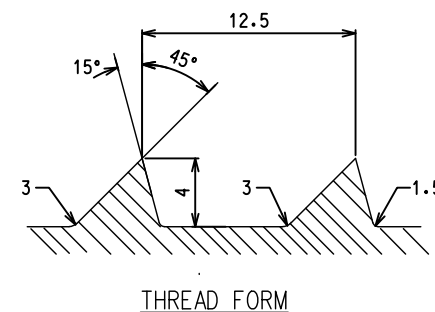
TENSILE STRENGTH	120,000 P.S.I. MIN.
PROOF LOAD	85,000 P.S.I.
YIELD STRENGTH	92,000 P.S.I. MIN.



Ss8 for CONCRETE TIES



TOP OF HEAD

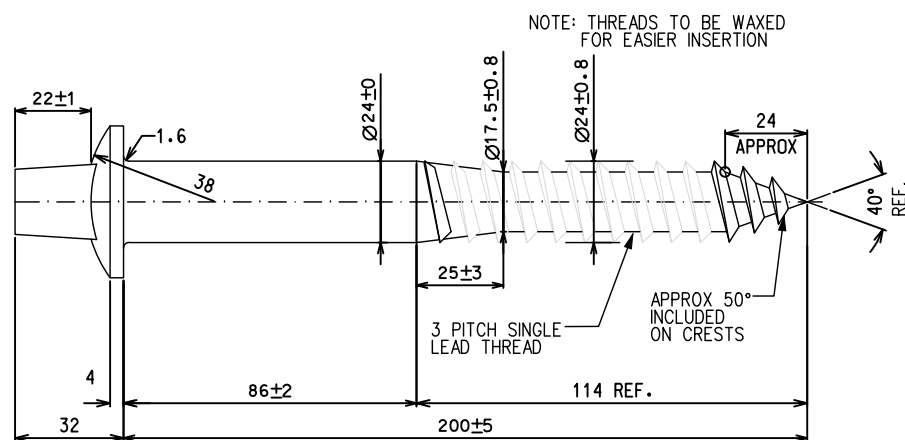


THREAD FORM

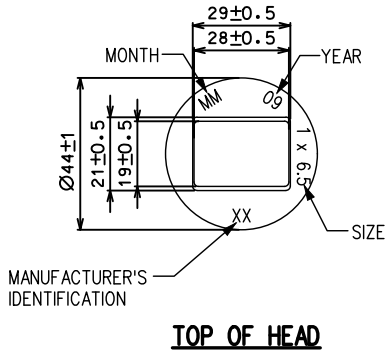
DESCRIPTION
Ss8 TIE SCREW COMMON STANDARD SCREW COMMON STANDARD BRIDGE SCREW

NOTE:

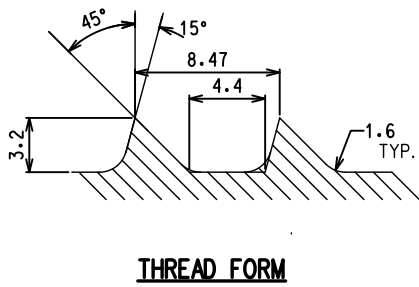
1. COMMON STANDARD SCREW SPIKE REPLACES Ss5 SCREW SPIKE WHICH REPLACED SCREW SPIKE
2. COMMON STANDARD BRIDGE SCREW SPIKE REPLACES Ss5 BRIDGE SCREW SPIKE.



COMMON STANDARD BRIDGE SCREW



TOP OF HEAD



THREAD FORM

METRIC CONVERSION: 1 inch=25.4mm, 1 foot=304.8mm

1	18/07/27	ADDED IMPERIAL TO METRIC CONVERSION NOTE	
No.	Date	Revision	By Approved

Standard	CONCRETE / WOOD TIE SCREW
----------	---------------------------

Drawn	Checked	Approved	VP Engineering & Asset Management
-------	---------	----------	-----------------------------------



Date	SEPT 15/2017	Plan Number	GTS-1315	Rev	1
------	--------------	-------------	----------	-----	---