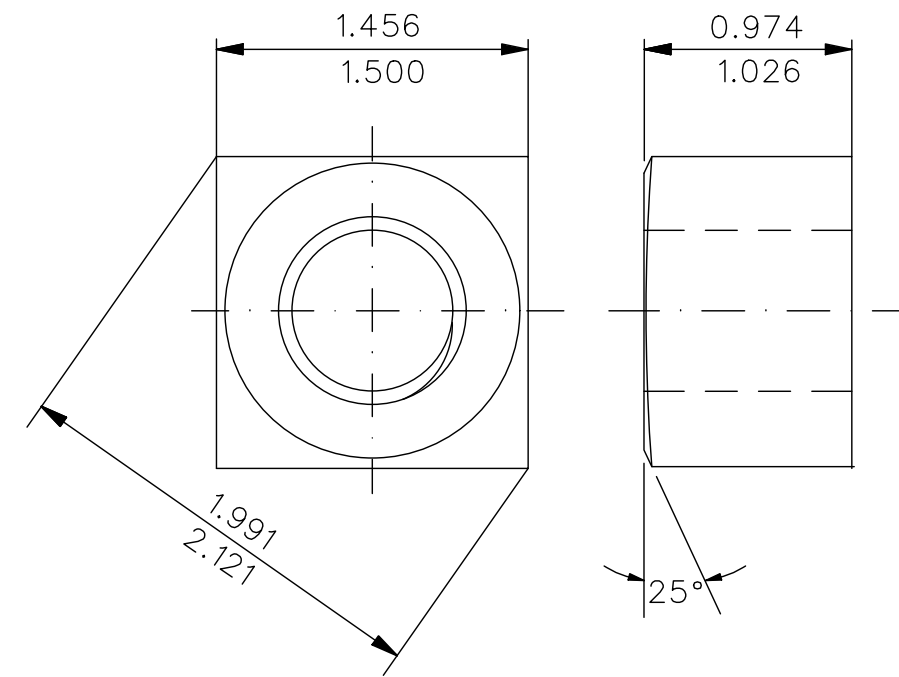


THE MANUFACTURER'S IDENTIFICATION LETTER AND THE LETTER Q TO SIGNIFY OIL QUENCHED MUST APPEAR CLEARLY ON ALL BOLTS. LETTERS TO BE 1/4" HIGH AND RAISED 1/32".

IDENTIFICATION LETTERS

- C - DOMINION STEEL AND COAL CORP. LTD.
- E - PREMIER STEEL PRODUCTS LTD.
- S - STEEL COMPANY OF CANADA LTD.
- V - PACIFIC BOLT MANUFACTURING CO. LTD.

| | |
|----------------|-----------|
| RAIL SECTION | BOLT SIZE |
| 85 lb. HF, CGR | 7/8" |



NO. LEGEND TRACK STANDARDS-DRAWING NUMBER
 ITEM NUMBER-SPECIFIC BOLT REQUIRED
 GTS-1318/3

NOTES:

- ALL DIMENSIONS ARE IN INCHES.
- IN ACCORDANCE WITH SPECIFICATION NO. 12-1 LATEST ISSUE.
- ALL BOLTS AND NUTS SHALL BE MANUFACTURED

| ITEM NO. | LENGTH OF BOLT ± 1/8 | WEIGHT OF BOLT LBS. |
|----------|----------------------|---------------------|
| 1 | 5-1/2 | 1.52 |
| 2 | 10 | 2.18 |
| 3 | 10-1/2 | 2.25 |
| 4 | 11 | 2.32 |
| 5 | 11-1/2 | 2.40 |
| 6 | 12 | 2.47 |
| 7 | 12-1/2 | 2.55 |
| 8 | 13 | 2.62 |
| 9 | 14 | 2.77 |

METRIC CONVERSION: 1 inch=25.4mm, 1 foot=304.8mm

| | | | |
|-----|----------|--|-------------|
| 1 | 18/07/27 | ADDED IMPERIAL TO METRIC CONVERSION NOTE | |
| No. | Date | Revision | By Approved |

Standard/ **7/8 DIAMETER TRACK BOLT EYE NECK**

Drawn MR. C Checked NAM Approved *[Signature]*
 VP Engineering & Asset Management



Date SEPT 15/2017 Plan Number GTS-1318 Rev 1