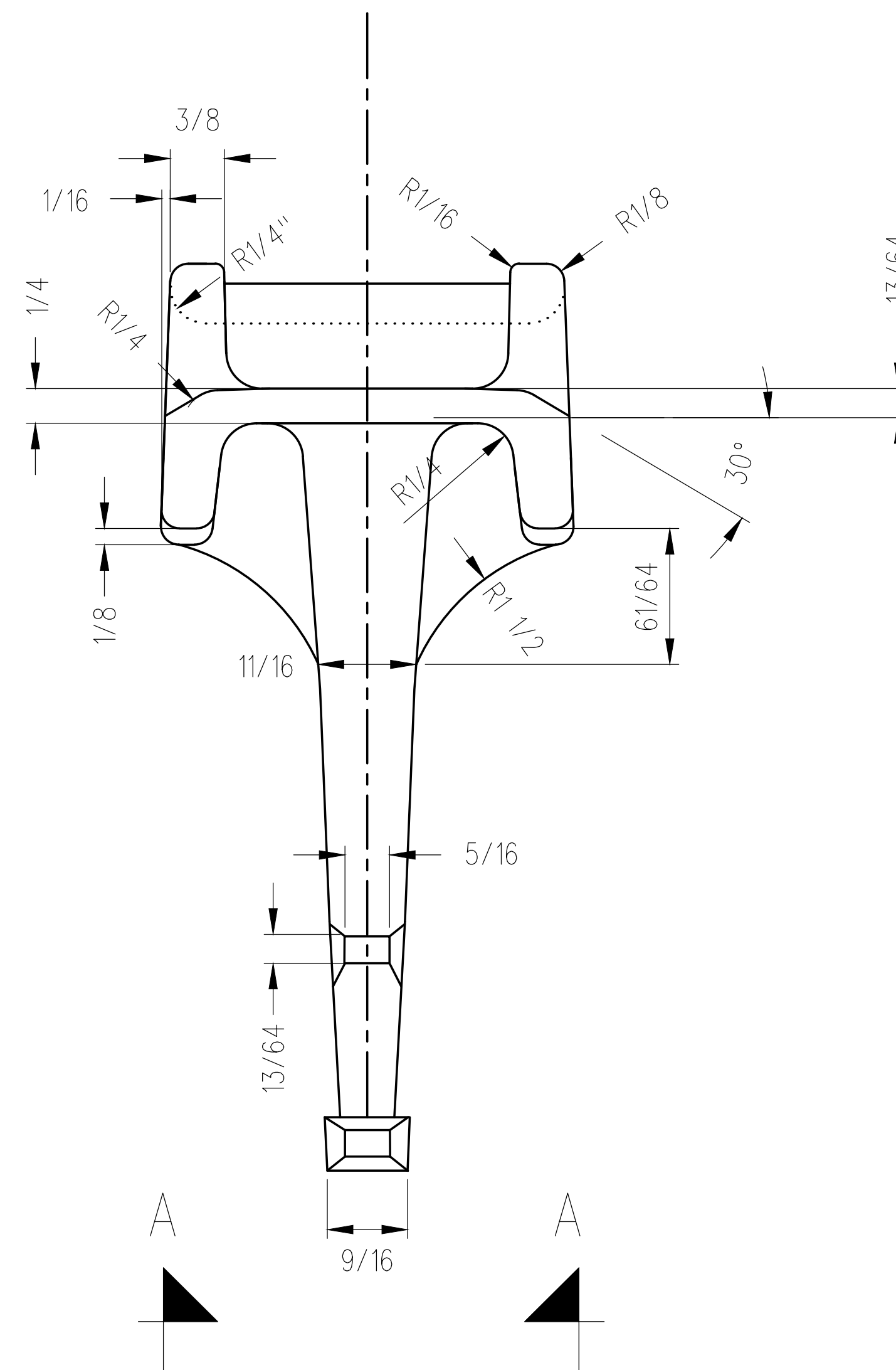
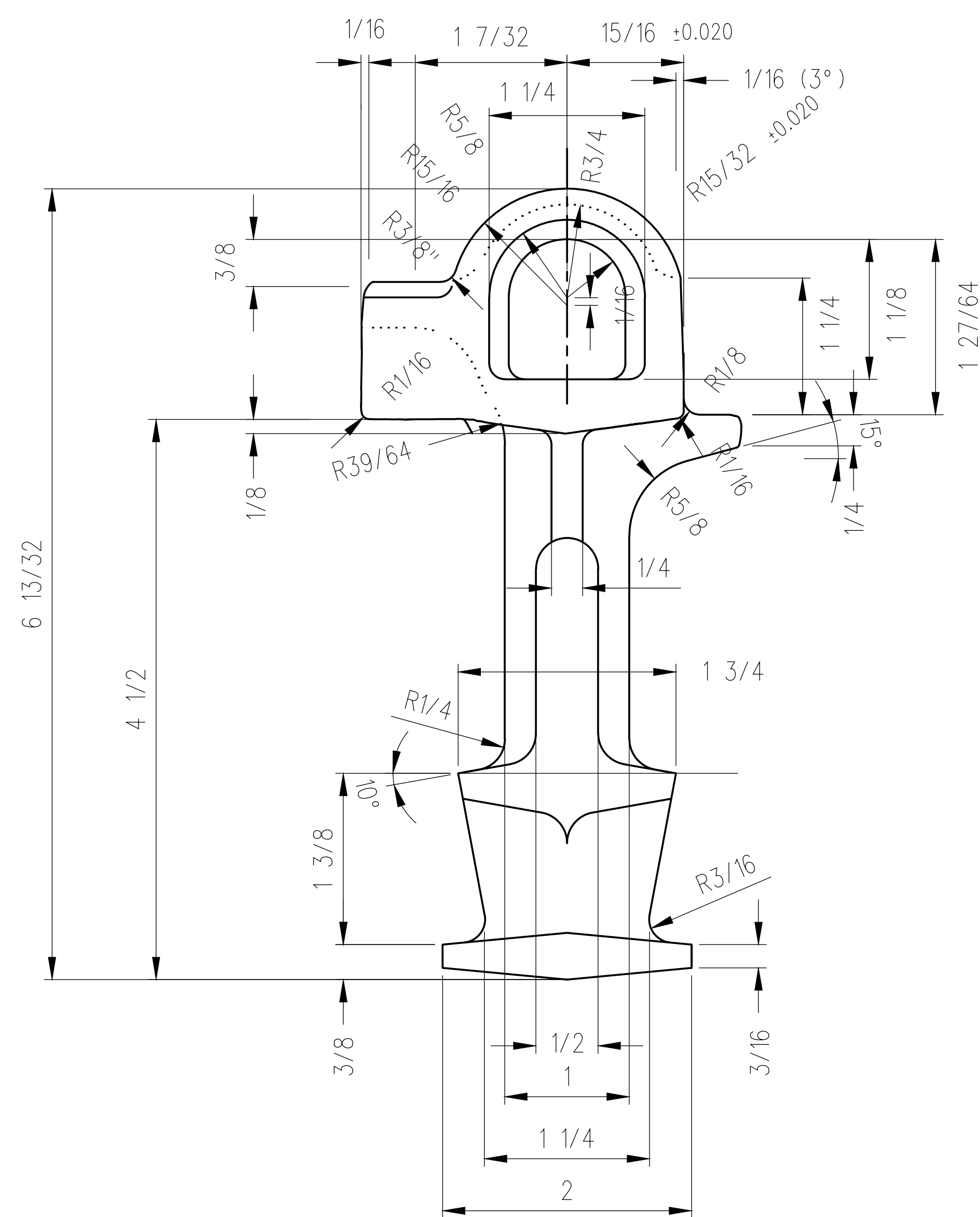


DETAIL " A-A"



NOTES:

1. FOR FINAL APPLICATION OF SHOULDERS SEE CONCRETE TIE DRAWINGS: GTS-2004 AND GTS-2007.
2. SHOULDERS MUST CONFORM TO THE LATEST REVISION OF A.S.T.M. STANDARD SPECIFICATIONS A536 DUCTILE IRON CASTING TENSILE REQUIREMENTS; GRADE 80/55/06
3. THE IDENTIFICATION CHARACTERS AS SHOWN TO BE CLEARLY CAST, 3/16" MINIMUM HEIGHT.
4. ALL DIMANSIONS ARE IN INCHES.
5. WEIGHT PER SHOULDER 2.88 LBS. (1.35)KG

METRIC CONVERSION: 1 inch=25.4mm, 1 foot=304.8mm			
0	18/11/16	REVISED PDF VERSION ESTABLISHED	
No.	Date	Revision	By Approved
Standard		SHOULDER FOR 60D CONCRETE TIES	
Drawn	MG	Checked	GGG
Approved		VP Engineering & Asset Management	
Date	NOV 16, 2018	Plan Number	GTS-1321 Rev 0
REFERENCE: TS-1321 SH 2 OF 2			Sheet 2 OF 3