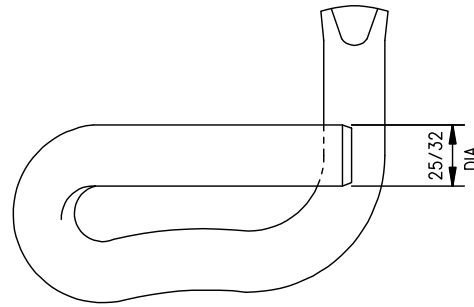
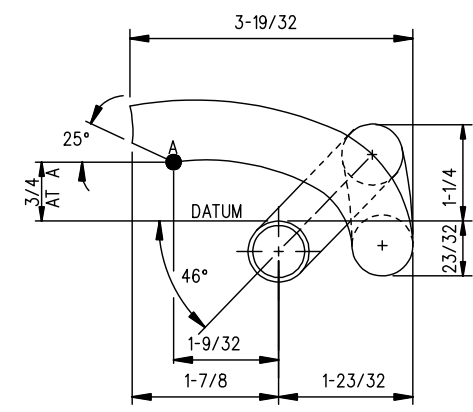
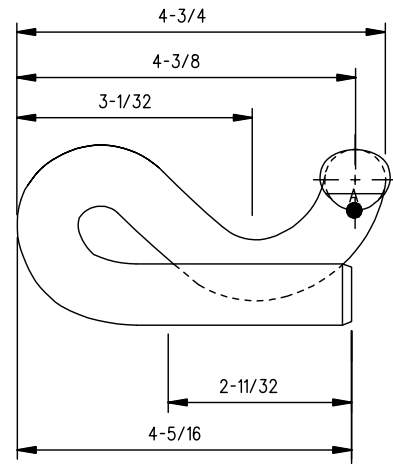


PANDROL RAIL CLIP  
TYPE J2/67  
FOR 5-1/2" RAIL BASE



PANDROL RAIL CLIP  
TYPE J2/73  
FOR 6" RAIL BASE

NOTES:

1. ALL DIMENSIONS ARE IN INCHES.
2. MATERIAL: HEAT TREATED STEEL, 25/32" DIAMETER FOR J2/67 AND J2/73.

METRIC CONVERSION: 1 inch=25.4mm, 1 foot=304.8mm

No.	Date	Revision	By	Approved
1	18/07/27	ADDED IMPERIAL TO METRIC CONVERSION NOTE		

Standard / **PANDROL RAIL CLIPS**

Drawn MG Checked GGS Approved *[Signature]*  
VP Engineering & Asset Management



Date SEPT 15/2017 Plan Number GTS-1322 Rev 1